

1

2

3

4

5

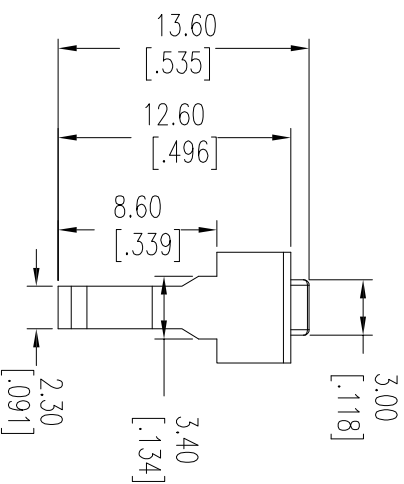
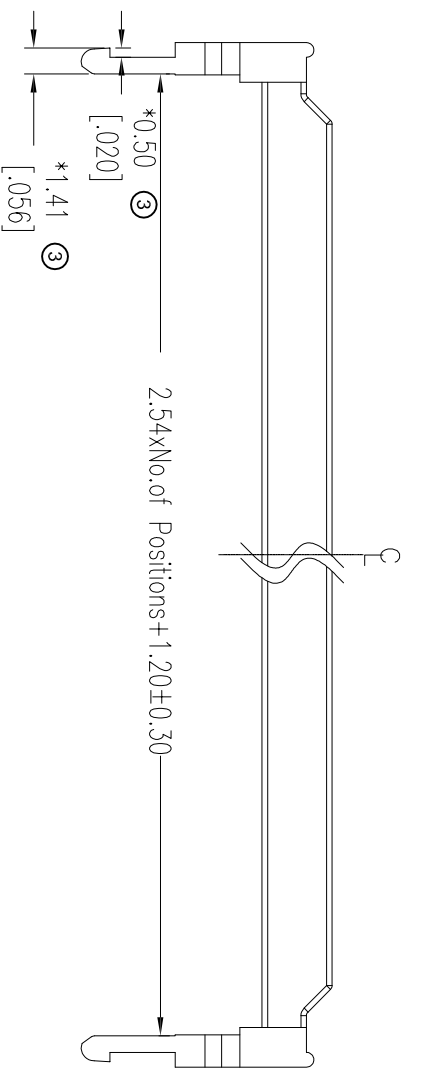
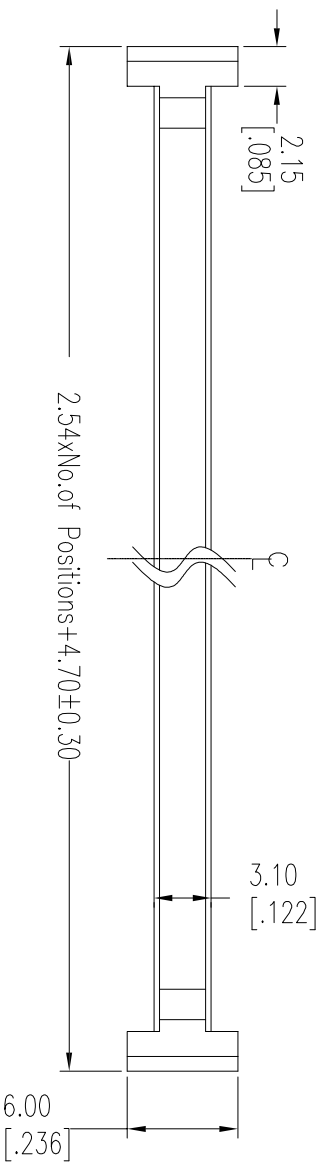
6

7

Strain Relief

NOTES:

- 1.Pin No. : 6-64P
- 2.Notes: No deformation on surface, Burr : 0.05mm max
- 3.Material : PBT+30%GF



RoHS compliant

Scale	1:1								
TOLERANCE									
X.X	±0.15			Drawn	21.11.2001	Hellwig			
X.XX	±0.10			Approved	22.11.2013	Ray			
X.XXX	±0.05	③	Update dimension						
X.°	±2°	②	Change plant		13.03.2009	Dean			
X.X°	±X°	①	Drawn		21.01.2001	Hellwig			
X.XX°	±X°								
X.XXX°	±X°								

Customer-No.	ASSMANN WSW-No.		Drawing-No.	Replace	Sheet
	AWZ-XX-T		ASS 1194B CO	rev03	

1

2

3

4

5

6

7

SVxxx

单击下面可查看定价，库存，交付和生命周期等信息

[>>ASSMANN WSW](#)