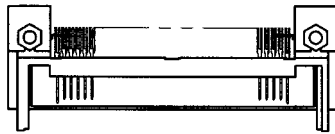


PCMCIA PC Memory Card Connectors

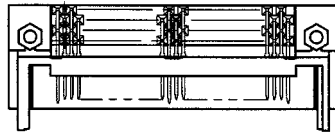


Series 5025 Product Selection Guide

CONNECTOR



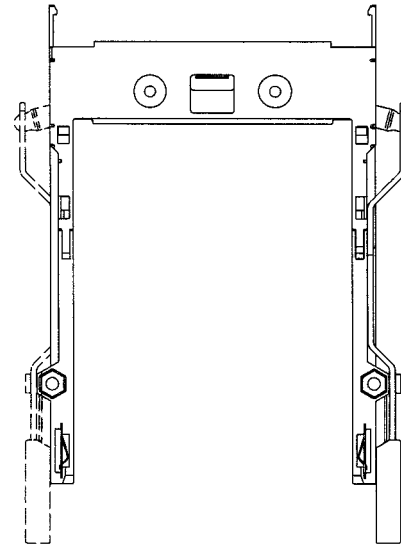
SMT TYPE



DIP TYPE



EJECTOR



LEFT SIDE

RIGHT SIDE

SINGLE SMT

Connector Style			Ejector Style Button Side	How To Order		Page
Stand Off	Voltage	Keying		Connector	Ejector	
Height=0	5v	Normal	Left	31 5025 068 305 871	30 5025 000 321 000	6, 7
			Right	31 5025 068 305 871	30 5025 000 322 000	
Height=0	5v	Reverse	Left	31 5025 068 355 871	30 5025 000 321 000	6, 7
			Right	31 5025 068 355 871	30 5025 000 322 000	

SINGLE DIP

Connector Style			Ejector Style Button Side	How To Order		Page
Stand Off	Voltage	Keying		Connector	Ejector	
Height=0	5v	Normal	Left	31 5025 068 100 871	30 5025 000 321 000	8, 9
			Right	31 5025 068 100 871	30 5025 000 322 000	
Height=0	5v	Reverse	Left	31 5025 068 150 871	30 5025 000 321 000	8, 9
			Right	31 5025 068 150 871	30 5025 000 322 000	

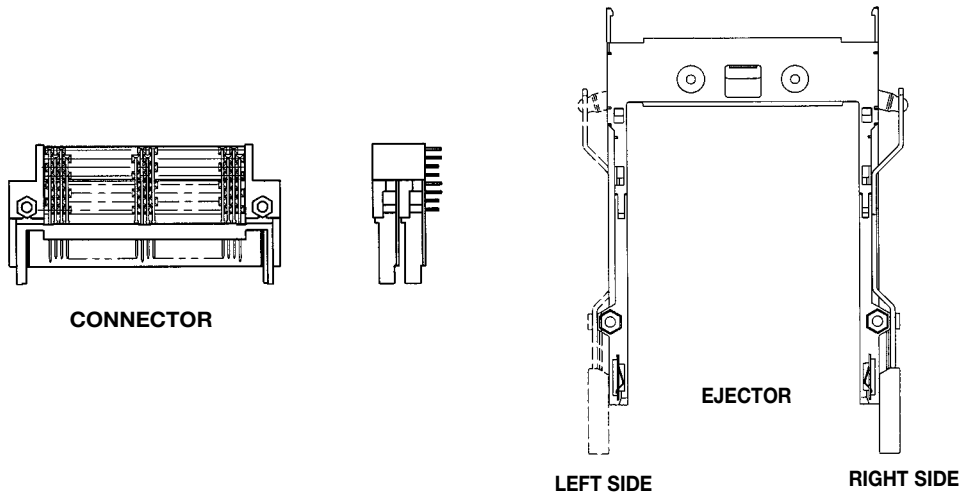
Note – If drawings are required then please contact your local sales office.

PCMCIA PC Memory Card Connectors



Series 5025 Product Selection Guide

SERIES 5025



DUAL DIP/DIP

Connector Style			Ejector Style	Assembly Number	How To Order	Page
Stand Off	Voltage	Keying	Button Side	Connector	Ejector	
Height=0	5v	Normal	Left/Left	31 5025 136 500 871	30 5025 000 621 000	10, 11
			Right/Right	31 5025 136 500 871	30 5025 000 622 000	
			Left/Right	31 5025 136 500 871	30 5025 000 623 000	
			Right/Left	31 5025 136 500 871	30 5025 000 624 000	
Height=0	5v	Reverse	Left/Left	31 5025 136 550 871	30 5025 000 621 000	10, 11
			Right/Right	31 5025 136 550 871	30 5025 000 622 000	
			Left/Right	31 5025 136 550 871	30 5025 000 623 000	
			Right/Left	31 5025 136 550 871	30 5025 000 624 000	

Note – If drawings are required then please contact your local sales office.

Assembly number for connector above comprises of a lower and upper header that needs to be ordered separately. See below on How To Order.

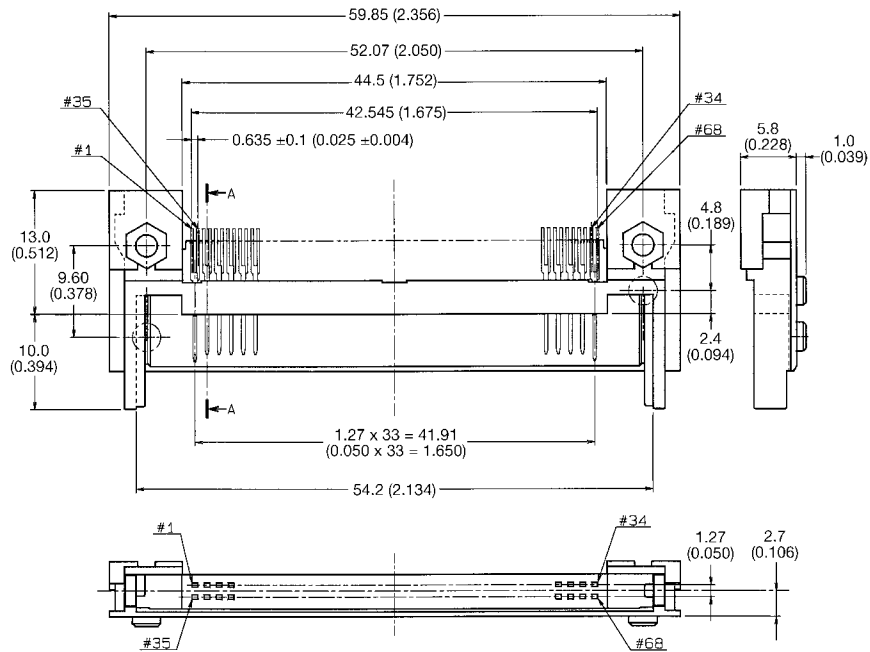
Assembly Number	Header Type	How To Order	Page
31 5025 136 500 871	Upper Header	31 5025 068 200 871	10, 11
	Lower Header	31 5025 068 100 871	
31 5025 136 550 871	Upper Header	31 5025 068 250 871	10, 11
	Lower Header	31 5025 068 150 871	

PCMCIA PC Memory Card Connectors



Series 5025 SMT SINGLE Header/Ejector Assembly

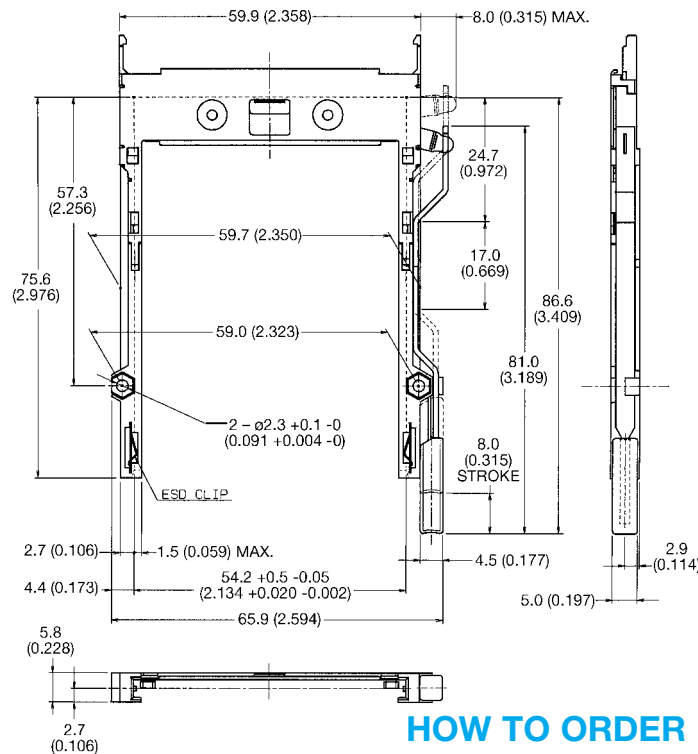
CONNECTOR



HOW TO ORDER

31 5025 068 305 871

EJECTOR



HOW TO ORDER

30 5025 000 322 000

Variation Code
See page 4

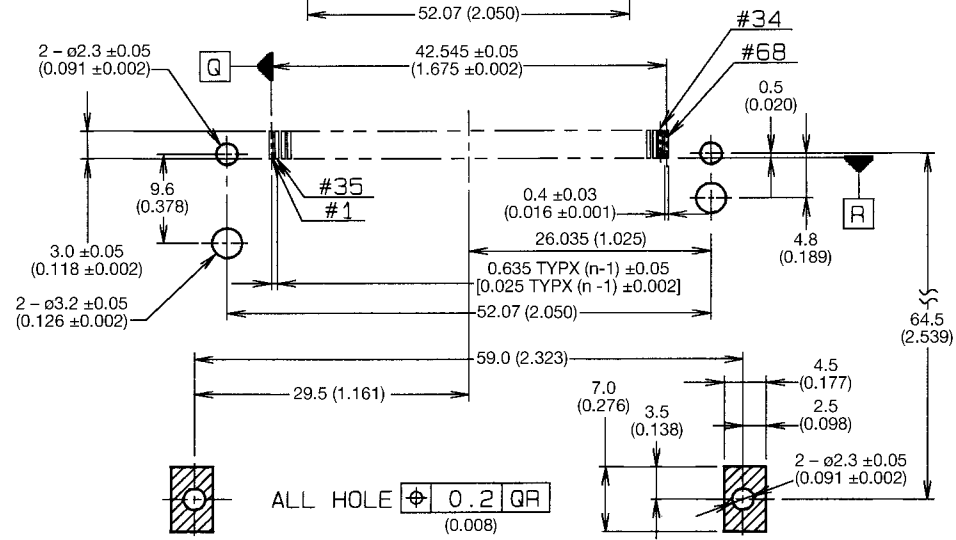
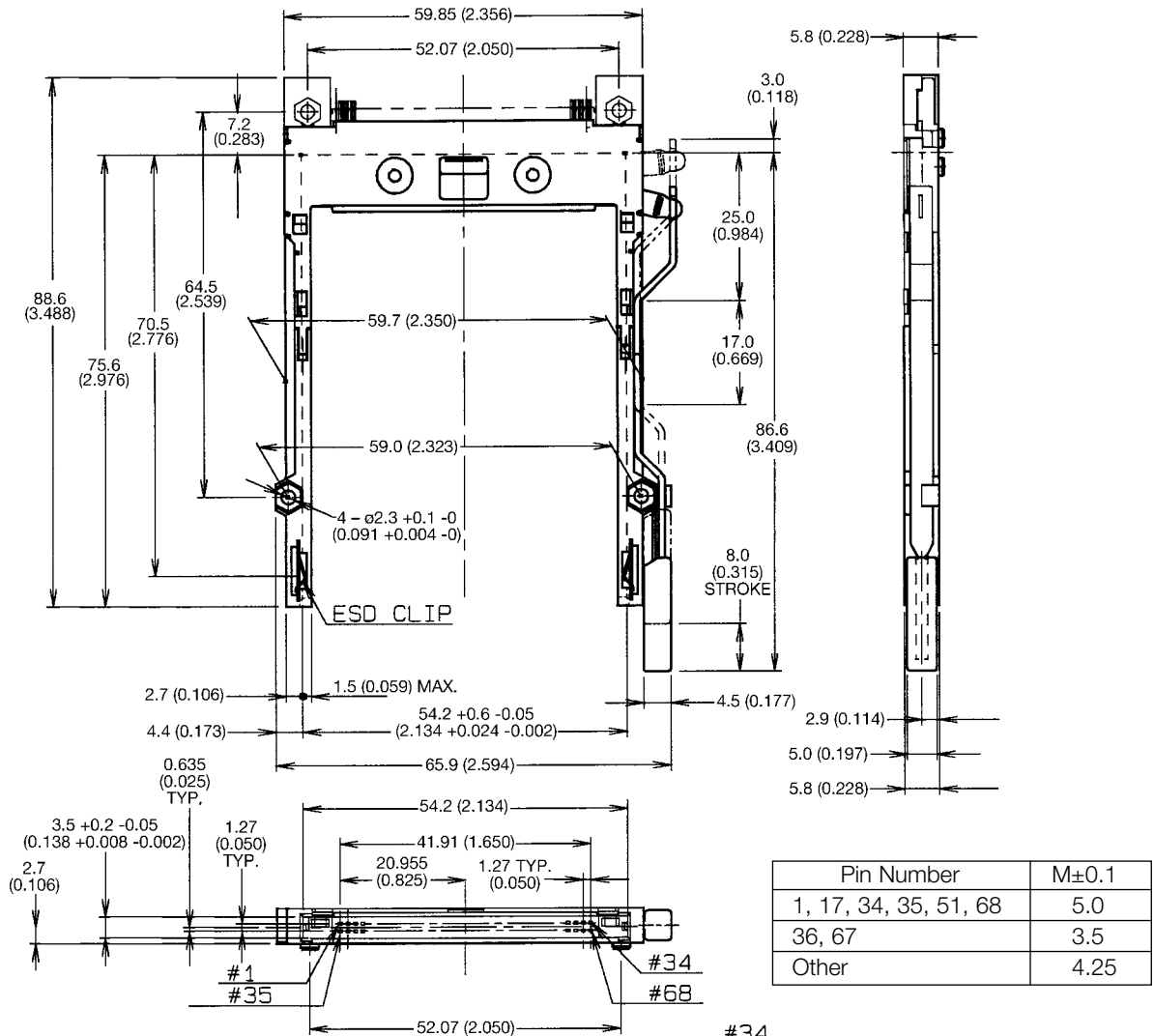
Variation Code
See page 4

PCMCIA PC Memory Card Connectors



Series 5025 SMT SINGLE Header/Ejector Assembly

ASSEMBLY



RECOMMENDED PRINTED CIRCUIT LAYOUT

See page 4 for How To Order

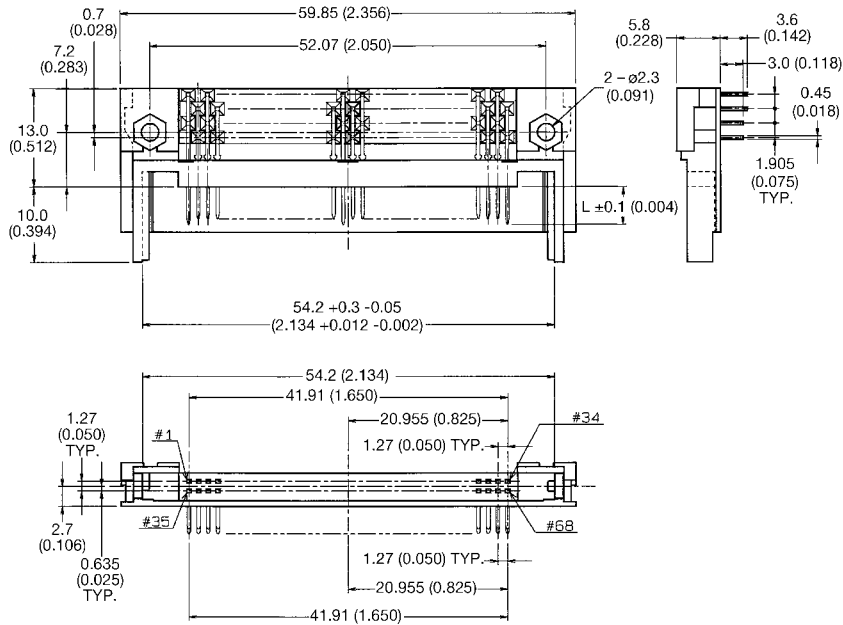


PCMCIA PC Memory Card Connectors



Series 5025 DIP SINGLE Header/Ejector Assembly

CONNECTOR

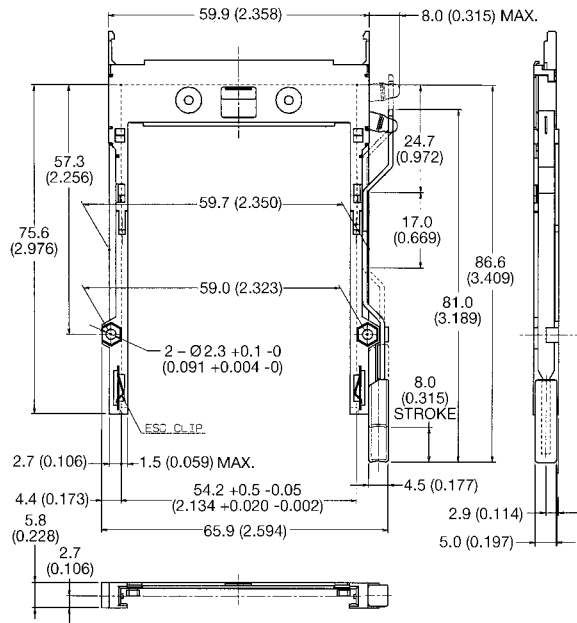


HOW TO ORDER

31 5025 068 100 871

Variation Code
See page 4

EJECTOR



HOW TO ORDER

30 5025 000 322 000

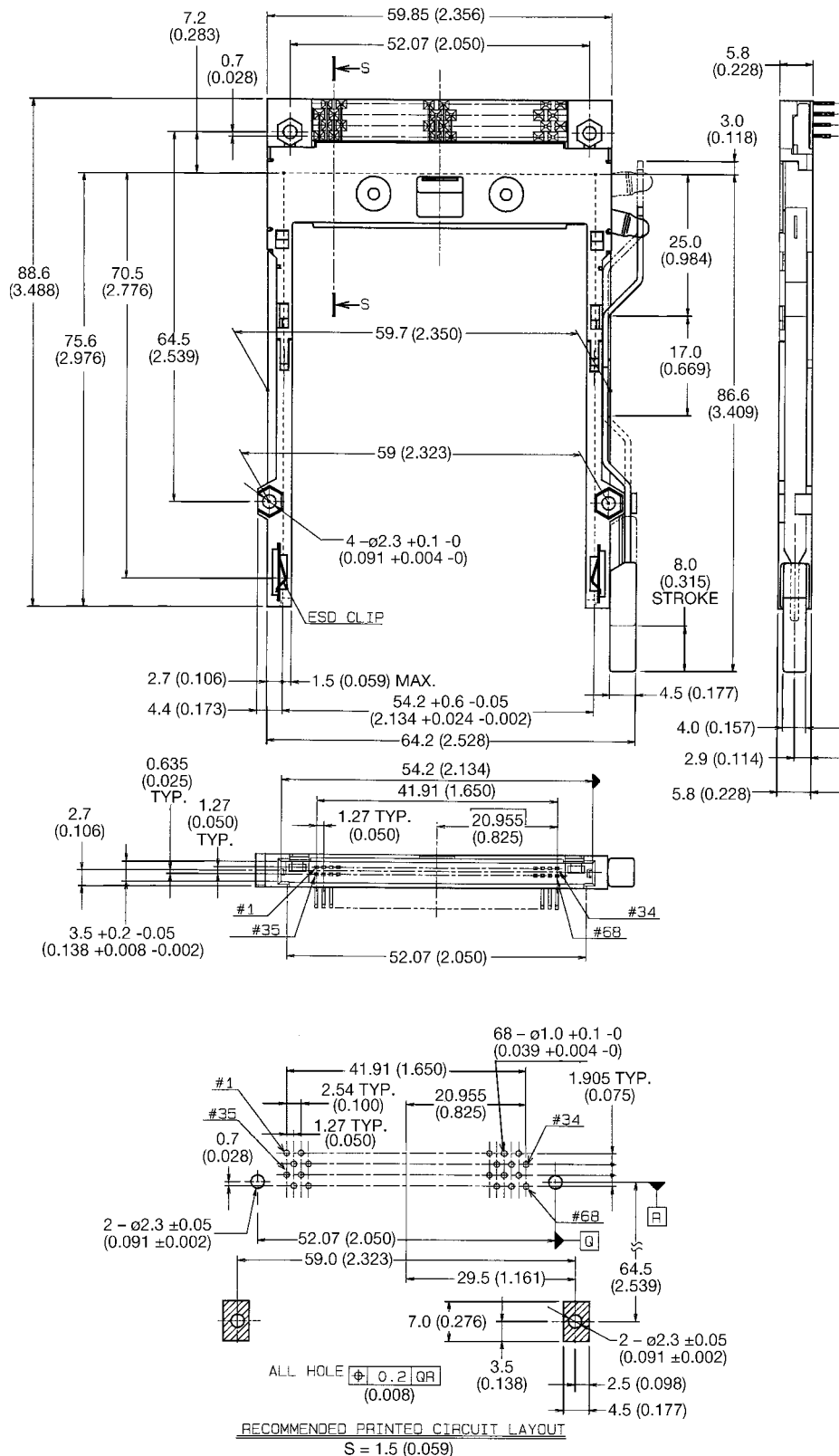
Variation Code
See page 4

PCMCIA PC Memory Card Connectors



Series 5025 DIP SINGLE Header/Ejector Assembly

ASSEMBLY



See page 4 for How To Order

PCMCIA PC Memory Card Connectors

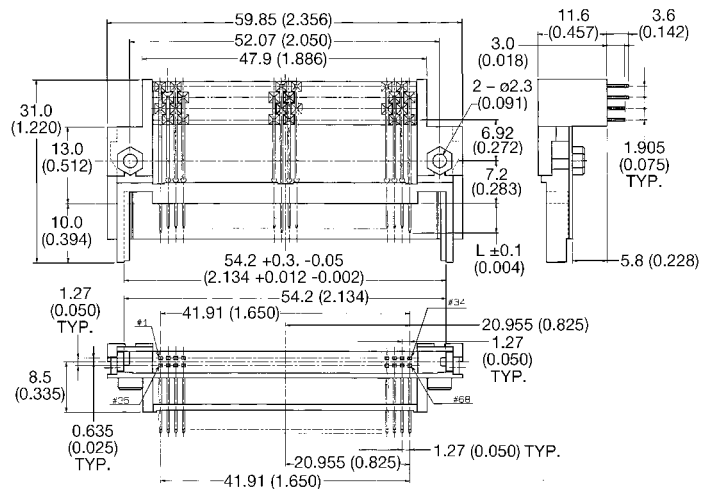
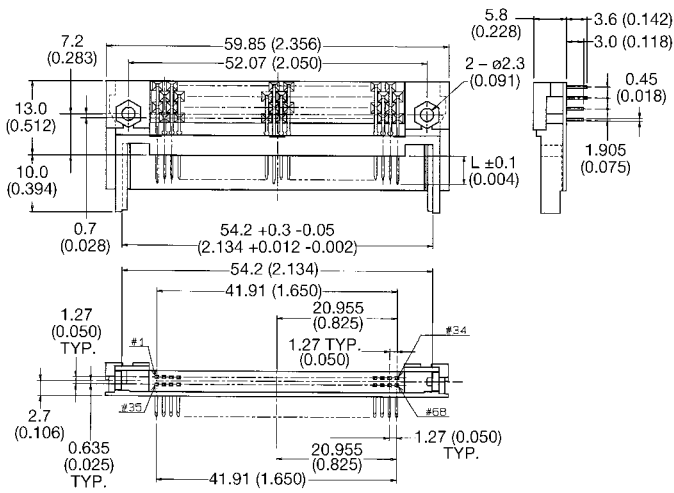


Series 5025 DIP DUAL Header/Ejector Assembly

CONNECTOR

LOWER

UPPER



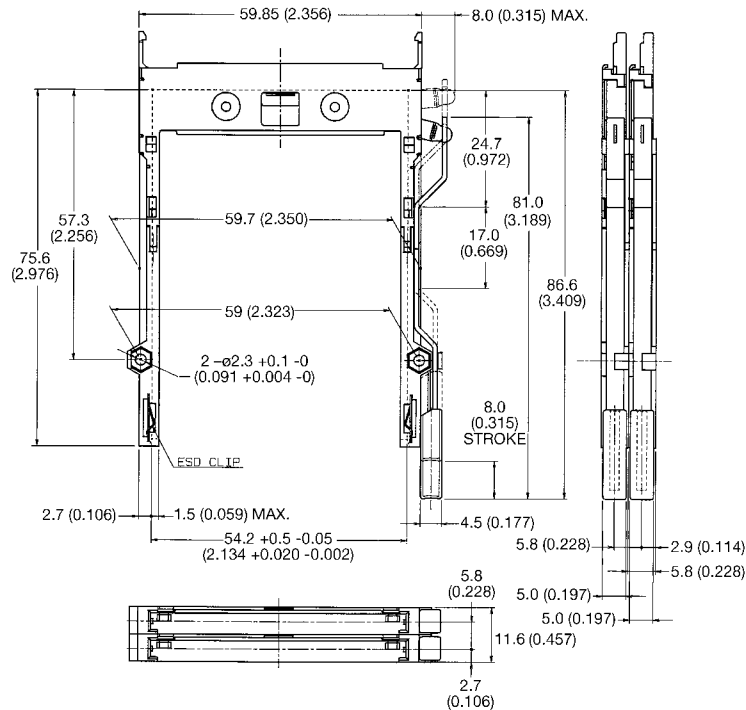
ASSEMBLY NUMBER

31 5025 136 5X0 871

Variation Code

See page 5
500 = Normal
550 = Reverse

EJECTOR



HOW TO ORDER

30 5025 000 622 000

Variation Code

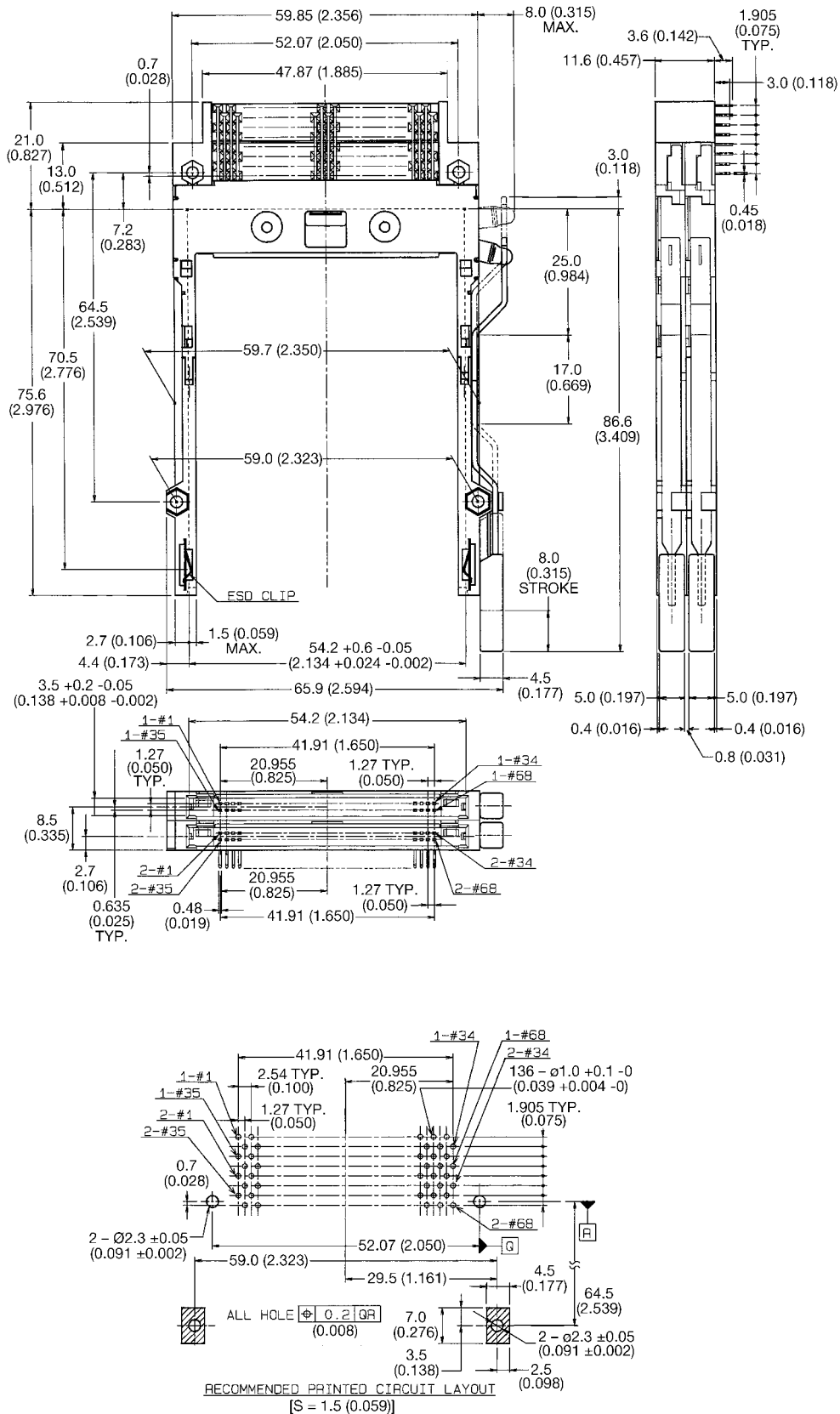
See page 5

PCMCIA PC Memory Card Connectors



Series 5025 DIP DUAL Header/Ejector Assembly

ASSEMBLY



See page 5 for How To Order

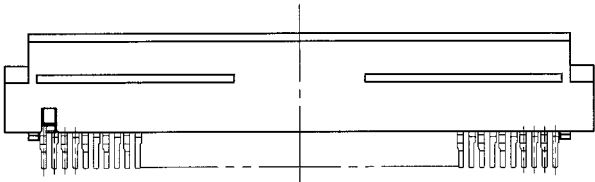
PCMCIA PC Memory Card Connectors

Series 5069 Product Selection Guide

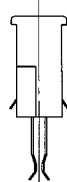
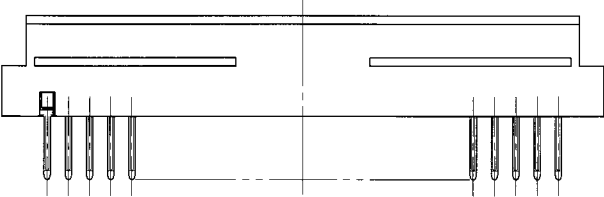


SERIES 5069

SINGLE SIDE



STRADDLE TAIL



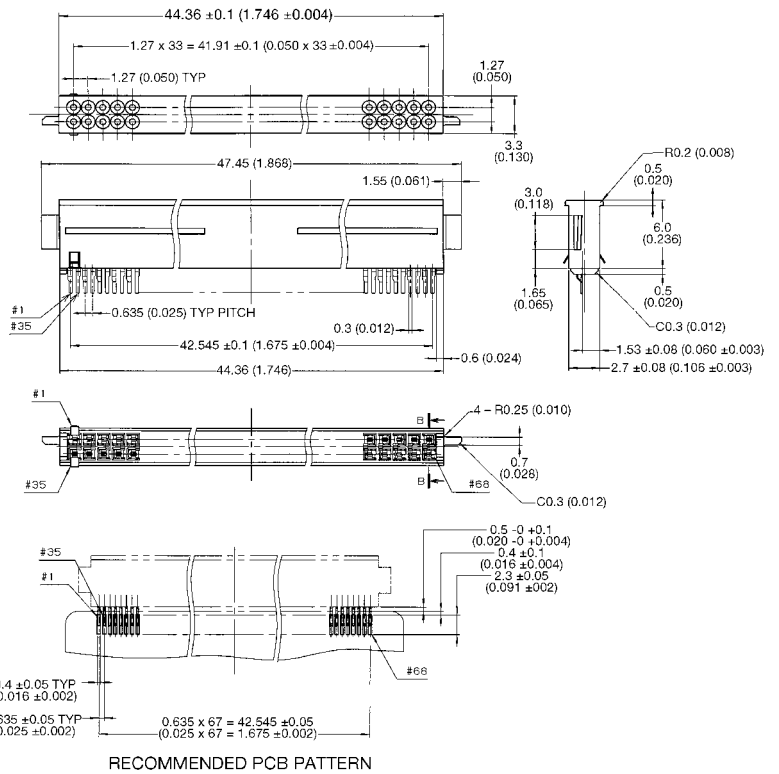
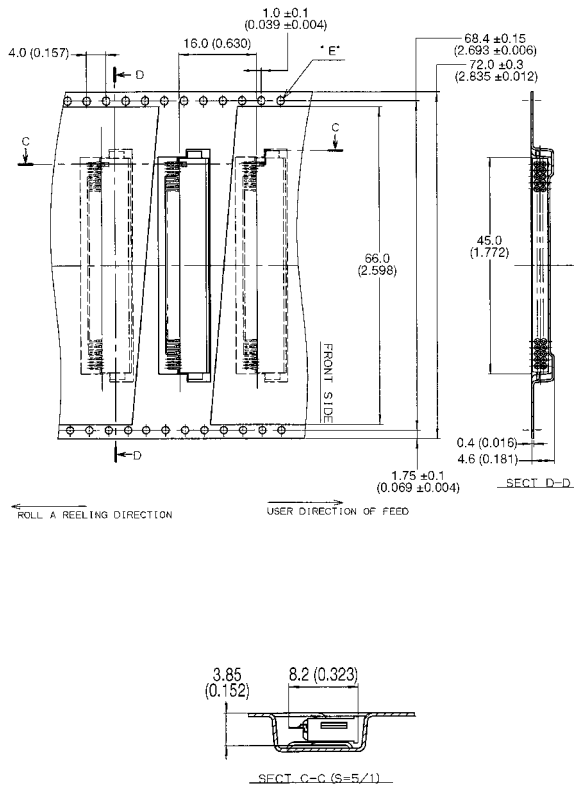
Solder Tail Style	How To Order	Packaging		
		Straddle Mount	20 5069 068 003 871	Semi-Hard Tray
Single Side	24 5069 068 901 835	Tape and Reel	1000 Tape and Reel	

PCMCIA PC Memory Card Connectors



Series 5069 Receptacle Connectors

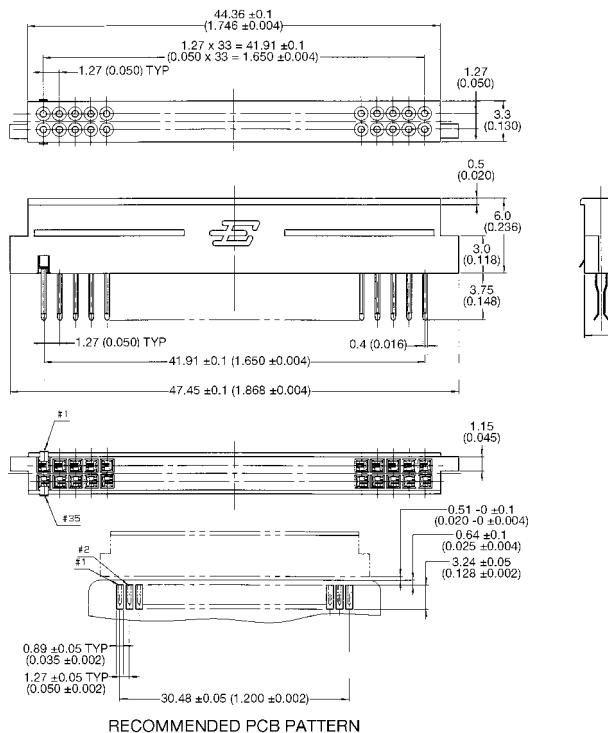
SINGLE SIDE



HOW TO ORDER

24 5069 068 901 835

STRADDLE



1000 per Tape and Reel

HOW TO ORDER

20 5069 068 003 871

840 per Box



单击下面可查看定价，库存，交付和生命周期等信息

[>>AVX](#)