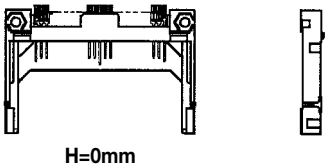
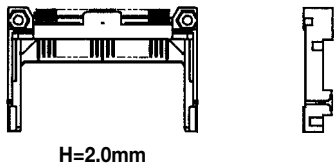


# Compact Flash Memory Card Connectors

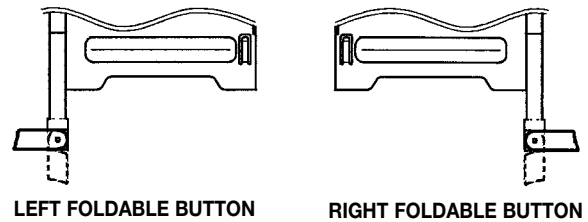
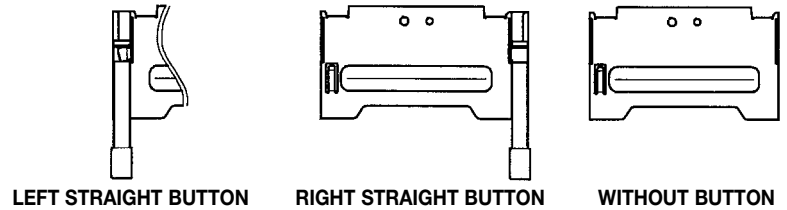


## Series 5610/5620 Product Selection Guide

### CONNECTOR



### EJECTOR



### CONNECTOR

| Stand Off          | Keying  | Connector                  | Page   |
|--------------------|---------|----------------------------|--------|
| Type I Height=0    | Normal  | <b>31 5610 050 500 871</b> | 34, 35 |
|                    | Reverse | <b>31 5610 050 550 871</b> |        |
| Type I Height=2.0  | Normal  | <b>31 5610 050 210 871</b> | 36, 37 |
|                    | Reverse | <b>31 5610 050 260 871</b> |        |
| Type II Height=0   | Normal  | <b>31 5620 050 116 871</b> | 38     |
| Type II Height=2.0 | Reverse | <b>31 5620 050 716 871</b> | 39     |

### CONNECTOR AND EJECTOR

| Connector Style    |         | Ejector Style |       | How To Order               |                            | Page   |
|--------------------|---------|---------------|-------|----------------------------|----------------------------|--------|
| Stand Off          | Keying  | Button Side   |       | Connector                  | Ejector                    |        |
| Type I Height=0    | Normal  | Straight      | Left  | <b>31 5610 050 500 871</b> | <b>30 5610 000 001 000</b> | 34, 35 |
|                    |         |               | Right | <b>31 5610 050 500 871</b> | <b>30 5610 000 002 000</b> |        |
|                    |         | Foldable      | Left  | <b>31 5610 050 500 871</b> | <b>30 5610 000 005 000</b> |        |
|                    |         |               | Right | <b>31 5610 050 500 871</b> | <b>30 5610 000 006 000</b> |        |
| Type I Height=0    | Reverse | Straight      | Left  | <b>31 5610 050 550 871</b> | <b>30 5610 000 001 000</b> | 34, 35 |
|                    |         |               | Right | <b>31 5610 050 550 871</b> | <b>30 5610 000 002 000</b> |        |
|                    |         | Foldable      | Left  | <b>31 5610 050 550 871</b> | <b>30 5610 000 005 000</b> |        |
|                    |         |               | Right | <b>31 5610 050 550 871</b> | <b>30 5610 000 006 000</b> |        |
| Type I Height=2.0  | Normal  | Straight      | Left  | <b>31 5610 050 210 871</b> | <b>30 5610 000 001 000</b> | 36, 37 |
|                    |         |               | Right | <b>31 5610 050 210 871</b> | <b>30 5610 000 002 000</b> |        |
|                    |         | Foldable      | Left  | <b>31 5610 050 210 871</b> | <b>30 5610 000 005 000</b> |        |
|                    |         |               | Right | <b>31 5610 050 210 871</b> | <b>30 5610 000 006 000</b> |        |
| Type I Height=2.0  | Reverse | Straight      | Left  | <b>31 5610 050 260 871</b> | <b>30 5610 000 001 000</b> | 36, 37 |
|                    |         |               | Right | <b>31 5610 050 260 871</b> | <b>30 5610 000 002 000</b> |        |
|                    |         | Foldable      | Left  | <b>31 5610 050 260 871</b> | <b>30 5610 000 005 000</b> |        |
|                    |         |               | Right | <b>31 5610 050 260 871</b> | <b>30 5610 000 006 000</b> |        |
| Type II Height=0   | Normal  | Straight      | Left  | <b>31 5620 050 116 871</b> | <b>30 5620 000 001 000</b> | 38     |
|                    |         |               | Right | <b>31 5620 050 116 871</b> | <b>30 5620 000 002 000</b> |        |
|                    |         | Foldable      | Left  | <b>31 5620 050 116 871</b> | <b>30 5620 000 005 000</b> |        |
|                    |         |               | Right | <b>31 5620 050 116 871</b> | <b>30 5620 000 006 000</b> |        |
| Type II Height=2.0 | Reverse | Straight      | Left  | <b>31 5620 050 716 871</b> | <b>30 5620 000 001 000</b> | 39     |
|                    |         |               | Right | <b>31 5620 050 716 871</b> | <b>30 5620 000 002 000</b> |        |
|                    |         | Foldable      | Left  | <b>31 5620 050 716 871</b> | <b>30 5620 000 005 000</b> |        |
|                    |         |               | Right | <b>31 5620 050 716 871</b> | <b>30 5620 000 006 000</b> |        |

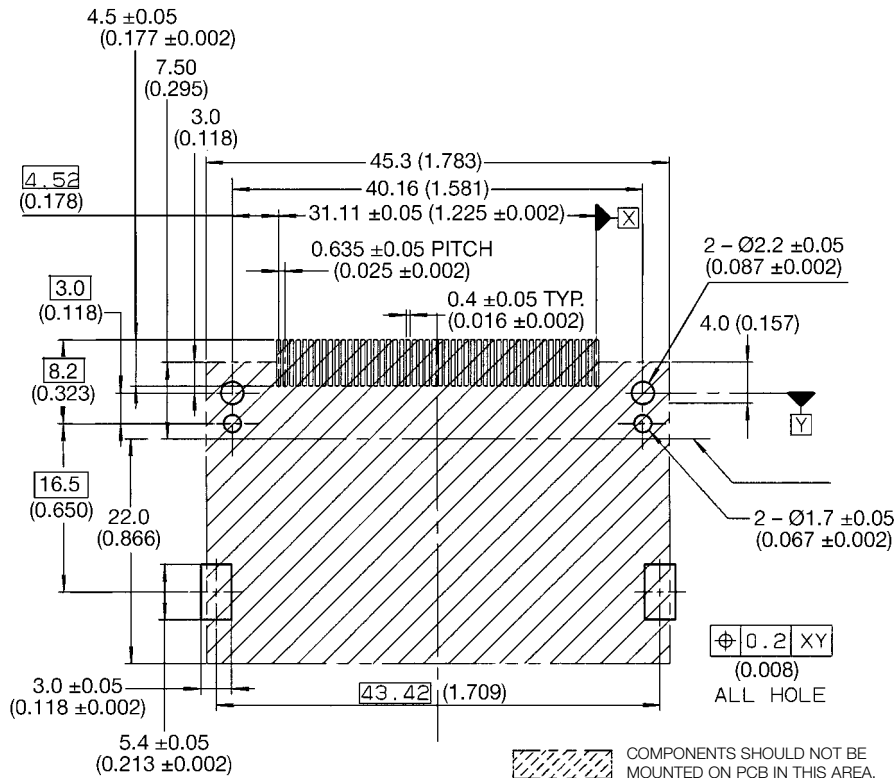
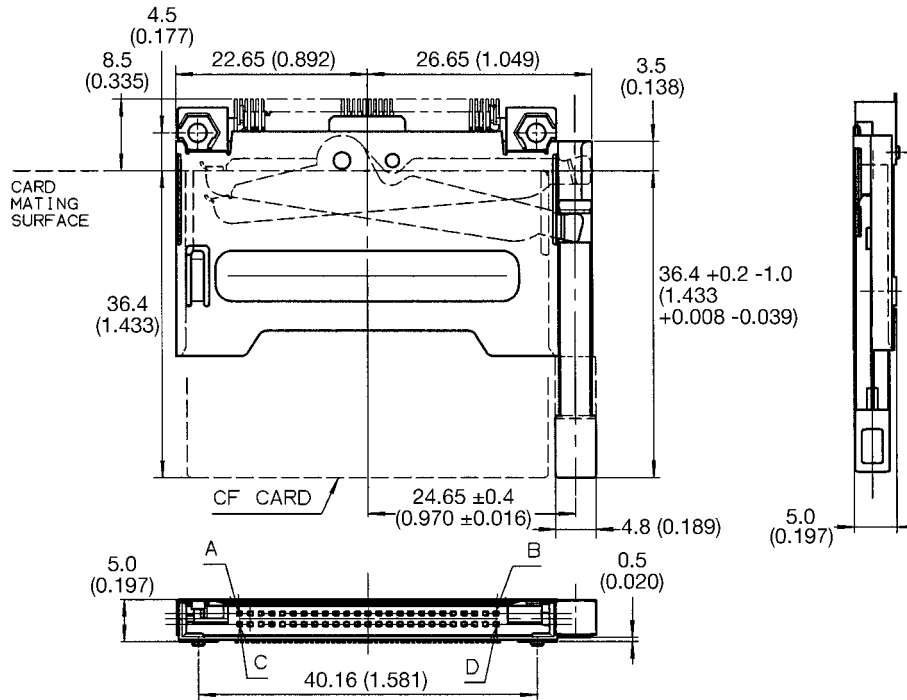


# Compact Flash Memory Card Connectors



## Series 5610 Header/Ejector Assembly H=0mm

### ASSEMBLY



RECOMMENDED PRINTED CIRCUIT LAYOUT

| Height | Boss | Key     | How To Order               |
|--------|------|---------|----------------------------|
| H=0    | 0.5  | Normal  | <b>31 5610 050 500 871</b> |
|        |      | Reverse | <b>31 5610 050 550 871</b> |

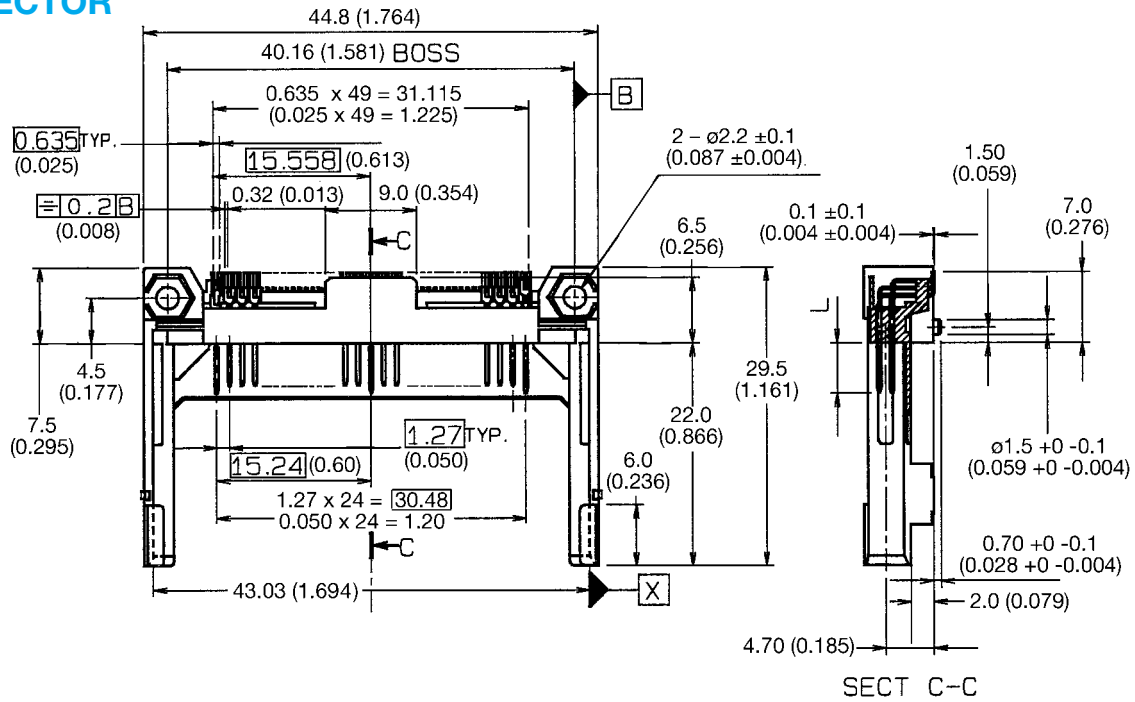
|         | A   | B   | C   | D   |
|---------|-----|-----|-----|-----|
| Normal  | #1  | #25 | #26 | #50 |
| Reverse | #50 | #26 | #25 | #1  |

# Compact Flash Memory Card Connectors

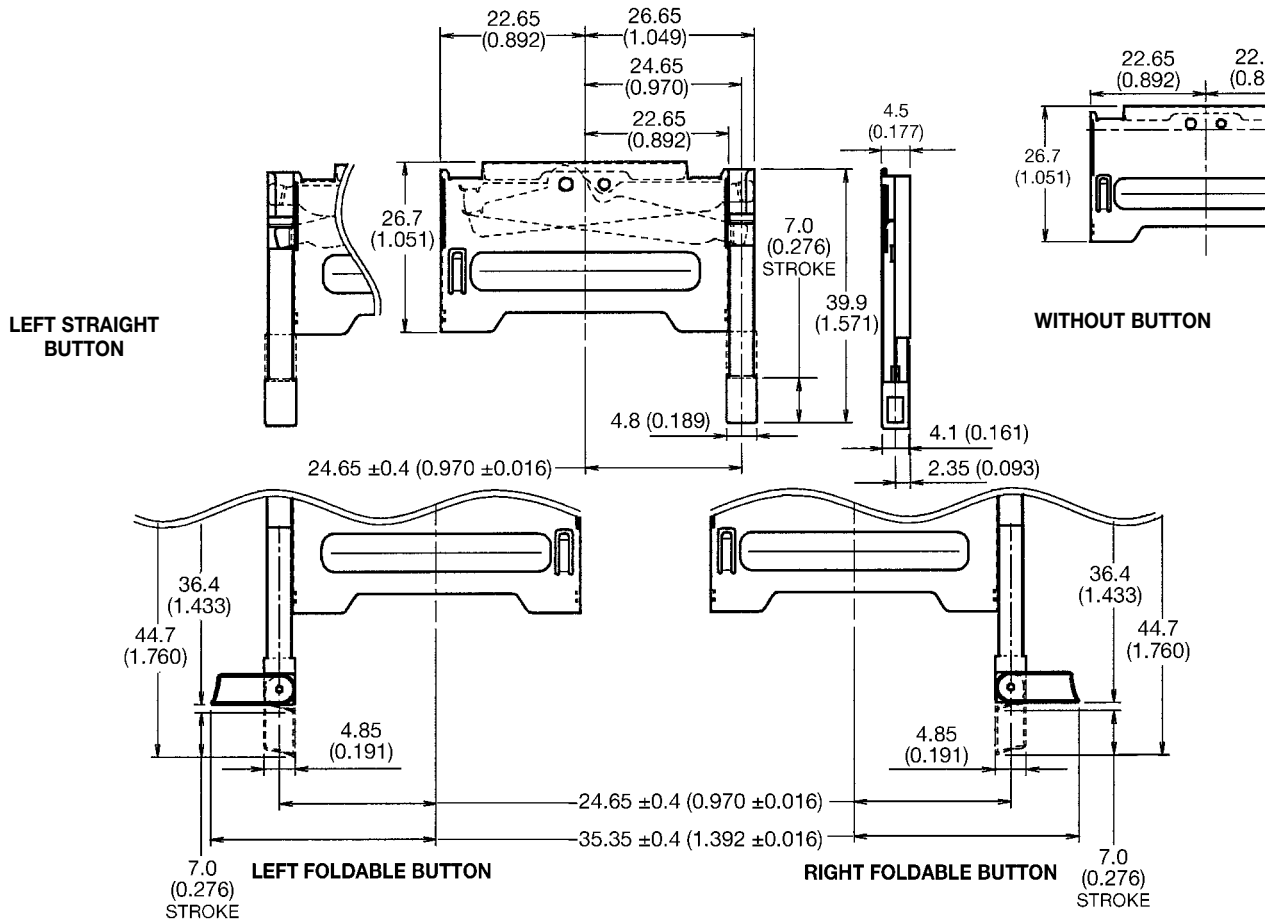


## Series 5610 Header/Ejector Assembly H=2mm

### CONNECTOR



### EJECTOR



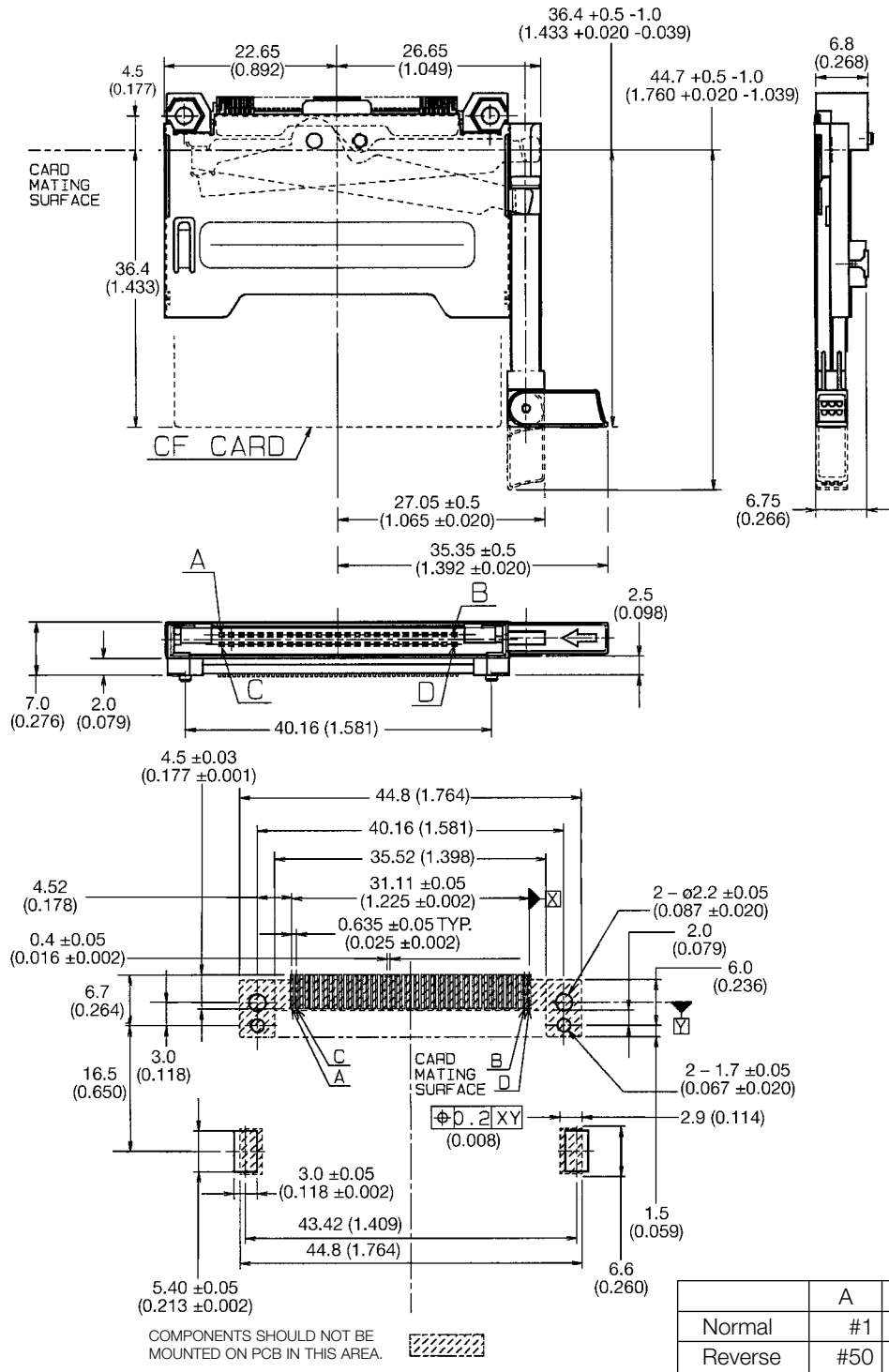
See page 33 for How To Order

# Compact Flash Memory Card Connectors



## Series 5610 Header/Ejector Assembly H=2mm

### ASSEMBLY



#### RECOMMENDED PRINTED CIRCUIT LAYOUT

| CONNECTOR |      |         |                            |
|-----------|------|---------|----------------------------|
| Height    | Boss | Key     | How To Order               |
| H=2.2     | 0.7  | Normal  | <b>31 5610 050 210 871</b> |
|           |      | Reverse | <b>31 5610 050 260 871</b> |

单击下面可查看定价，库存，交付和生命周期等信息

[>>AVX](#)