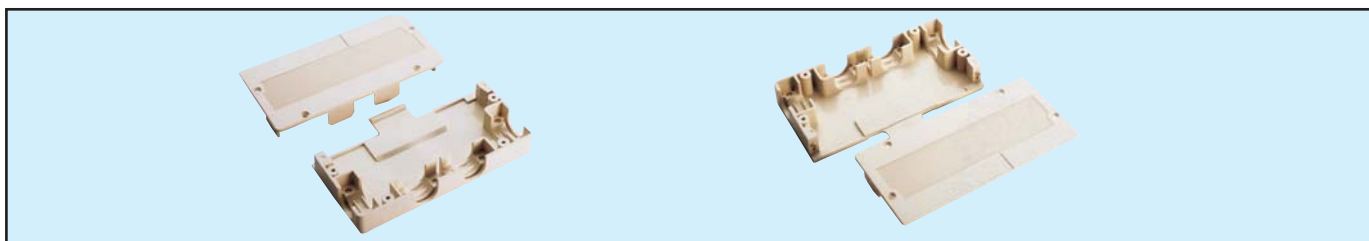


8237 Cover Assembly for 8457 Header & Receptacle (96 Position)

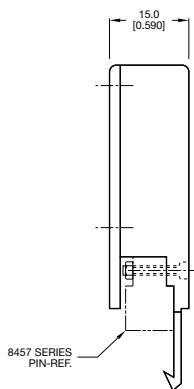


Cover Assembly for 8457 Pin Series, 96-Pin only

No. Req'd.	No. Req'd.	No. Req'd.	No. Req'd.	Item No.	Component Number	Description
2	2	2	2	7	Per DIN 934	M 2.3 Hexagon nut
2	2	2	2	6	Per DIN 84	M 2.3 x 10 slotted fillister hd. screw
4	4	4	4	5	Per DIN 7972	B 2.2 x 6.5 slotted flat HD screw
8	6	4	2	4	Per DIN 84	M 3 x 10 fillister slotted hd. screw
4	3	2	1	3	60 8237 4515 00 000	Clamp
1	1	1	1	2	60 8237 4420 00 000	Lid
1	1	1	1	1	60 8237 4330 00 000	Cover

30 8237 01 100
 30 8237 01 101
 30 8237 01 102
 30 8237 01 103
 30 8237 01 104
 30 8237 01 105
 30 8237 01 106
 30 8237 01 107
 30 8237 01 108
 30 8237 01 109
 30 8237 01 110
 30 8237 01 111
 30 8237 01 112
 30 8237 01 113
 30 8237 01 114
 30 8237 01 115
 30 8237 01 116
 30 8237 01 117
 30 8237 01 118
 30 8237 01 119
 30 8237 01 120

ORDERING CODE



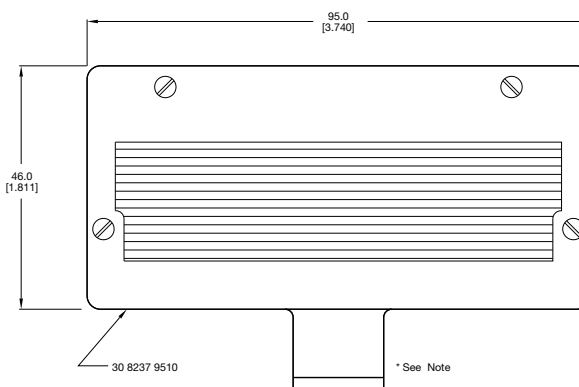
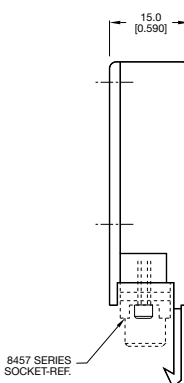
For a Cover without a latch order part number 30 8237 9810 01 100

Cover Assembly for 8457 Socket Series, 96-Pin only

No. Req'd.	No. Req'd.	No. Req'd.	No. Req'd.	Item No.	Component Number	Description
2	2	2	2	6	Per DIN 7971	B 2.2 x 9.5 slotted pan hd. screw
4	4	4	4	5	Per DIN 7972	B 2.2 x 6.5 slotted flat hd. screw
8	6	4	2	4	Per DIN 84	M 3 x 10 fillister slotted hd. screw
4	3	2	1	3	60 8237 4515 00 000	Clamp
1	1	1	1	2	60 8237 4220 00 000	Lid
1	1	1	1	1	60 8237 4120 00 000	Cover

30 8237 01 100
 30 8237 01 101
 30 8237 01 102
 30 8237 01 103
 30 8237 01 104
 30 8237 01 105
 30 8237 01 106
 30 8237 01 107
 30 8237 01 108
 30 8237 01 109
 30 8237 01 110
 30 8237 01 111
 30 8237 01 112
 30 8237 01 113
 30 8237 01 114
 30 8237 01 115
 30 8237 01 116
 30 8237 01 117
 30 8237 01 118
 30 8237 01 119
 30 8237 01 120

ORDERING CODE



For a Cover without a latch order part number 30 8237 9510 01 100

单击下面可查看定价，库存，交付和生命周期等信息

[>>AVX](#)