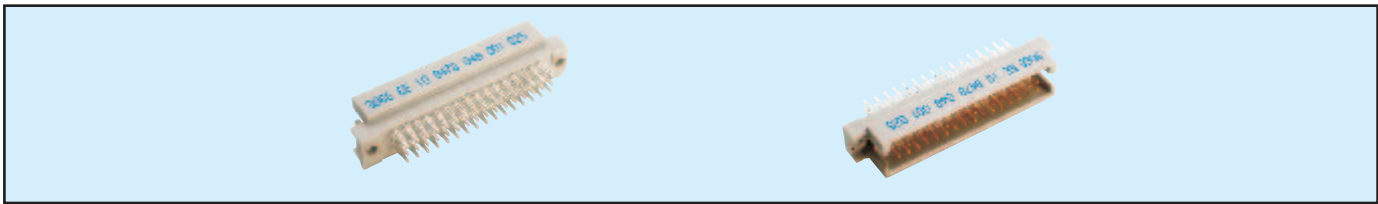


Male Style 1/2 R Press-Fit



Series 8478 – 3 rows (3 x 16) Inverted



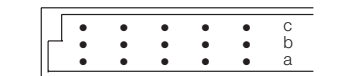
| Contact Design and Termination Length | Number of Contacts | Loading Description | Part Number Performance classes according to DIN 41612 | |
|--|--------------------|------------------------|--|---------------------|
| | | | II | I |
| for ≥ 2.4 mm PCB's 0.6 x 0.6 mm Post Profile 5.3 mm (Y) Straight | 48 | a + b + c fully loaded | 10 8478 048 001 025 | 10 8478 048 001 049 |
| | 32 | a + c fully loaded | 10 8478 048 001 026 | 10 8478 048 001 050 |
| | 46 + 2 | fully loaded + ground | 10 8478 048 101 025 | 10 8478 048 101 049 |
| for ≥ 2.4 mm PCB's 0.6 x 0.6 mm Post Profile 9.3 mm (Y) Straight | 48 | a + b + c fully loaded | 10 8478 048 002 025 | 10 8478 048 002 049 |
| | 32 | a + c fully loaded | 10 8478 048 002 026 | 10 8478 048 002 050 |
| | 46 + 2 | fully loaded + ground | 10 8478 048 102 025 | 10 8478 048 102 049 |
| for ≥ 2.4 mm PCB's 0.6 x 0.6 mm Post Profile 16.2 mm (Y) Straight | 48 | a + b + c fully loaded | 10 8478 048 003 025 | 10 8478 048 003 049 |
| | 32 | a + c fully loaded | 10 8478 048 003 026 | 10 8478 048 003 050 |
| | 46 + 2 | fully loaded + ground | 10 8478 048 103 025 | 10 8478 048 103 049 |
| for ≥ 2.4 mm PCB's 0.6 x 0.6 mm Post Profile 18.2 mm (Y) Straight | 48 | a + b + c fully loaded | 10 8478 048 004 025 | 10 8478 048 004 049 |
| | 32 | a + c fully loaded | 10 8478 048 004 026 | 10 8478 048 004 050 |
| | 46 + 2 | fully loaded + ground | 10 8478 048 104 025 | 10 8478 048 104 049 |
| for ≥ 2.4 mm PCB's 0.6 x 0.6 mm Post Profile 14.6 mm (Y) Straight | 48 | a + b + c fully loaded | 10 8478 048 005 025 | 10 8478 048 005 049 |
| | 32 | a + c fully loaded | 10 8478 048 005 026 | 10 8478 048 005 050 |
| | 46 + 2 | fully loaded + ground | 10 8478 048 105 025 | 10 8478 048 105 049 |
| for ≥ 2.4 mm PCB's 0.6 x 0.6 mm Post Profile 13.2 mm (Y) Straight | 48 | a + b + c fully loaded | 10 8478 048 006 025 | 10 8478 048 006 049 |
| | 32 | a + c fully loaded | 10 8478 048 006 026 | 10 8478 048 006 050 |
| | 46 + 2 | fully loaded + ground | 10 8478 048 106 025 | 10 8478 048 106 049 |
| for ≥ 2.4 mm PCB's 0.6 x 0.6 mm Post Profile 23.2 mm (Y) Straight | 48 | a + b + c fully loaded | 10 8478 048 007 026 | 10 8478 048 007 049 |
| | 32 | a + c fully loaded | 10 8478 048 007 026 | 10 8478 048 007 050 |
| | 46 + 2 | fully loaded + ground | 10 8478 048 107 025 | 10 8478 048 107 049 |
| for ≥ 2.4 mm PCB's 0.6 x 0.6 mm Post Profile 20.0 mm (Y) Straight | 48 | a + b + c fully loaded | 10 8478 048 008 025 | 10 8478 048 008 049 |
| | 32 | a + c fully loaded | 10 8478 048 008 026 | 10 8478 048 008 050 |
| | 46 + 2 | fully loaded + ground | 10 8478 048 108 025 | 10 8478 048 108 049 |
| for ≥ 2.4 mm PCB's 0.6 x 0.6 mm Post Profile 3.9 mm (Y) Straight | 48 | a + b + c fully loaded | 10 8478 048 009 025 | 10 8478 048 009 049 |
| | 32 | a + c fully loaded | 10 8478 048 009 026 | 10 8478 048 009 050 |
| | 46 + 2 | fully loaded + ground | 10 8478 048 109 025 | 10 8478 048 109 049 |
| for 1.6 mm PCB's 0.6 x 0.6 mm Post Profile 3.0 mm (Y) Straight | 48 | a + b + c fully loaded | 10 8478 048 031 025 | 10 8478 048 031 049 |
| | 32 | a + c fully loaded | 10 8478 048 031 026 | 10 8478 048 031 050 |

NB: Alternative Prefix Variations Available: 21, 22 & 23, please refer to Page 10.

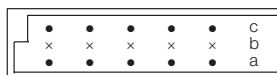
Additional Plating & Loading Variations: Please contact your local AVX sales office or distributor.

Installed using Flat Rock method (see page 66)

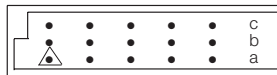
LOADING DESCRIPTION DIMENSIONS



48 contacts, rows a + b + c fully loaded

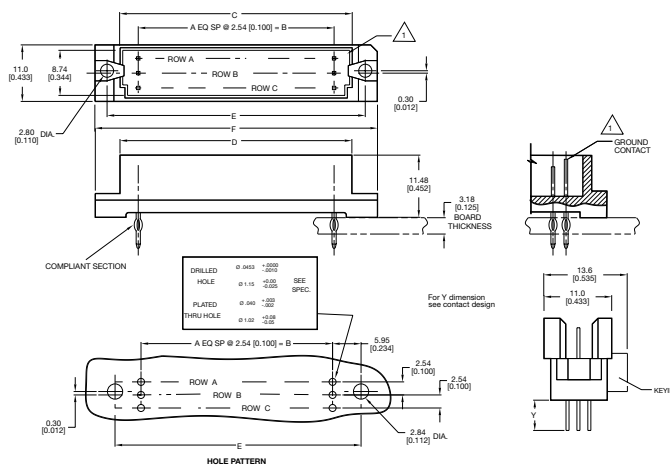


32 contacts, rows a + c fully loaded



46 + 2 contacts, fully loaded with ground in A1 & A16

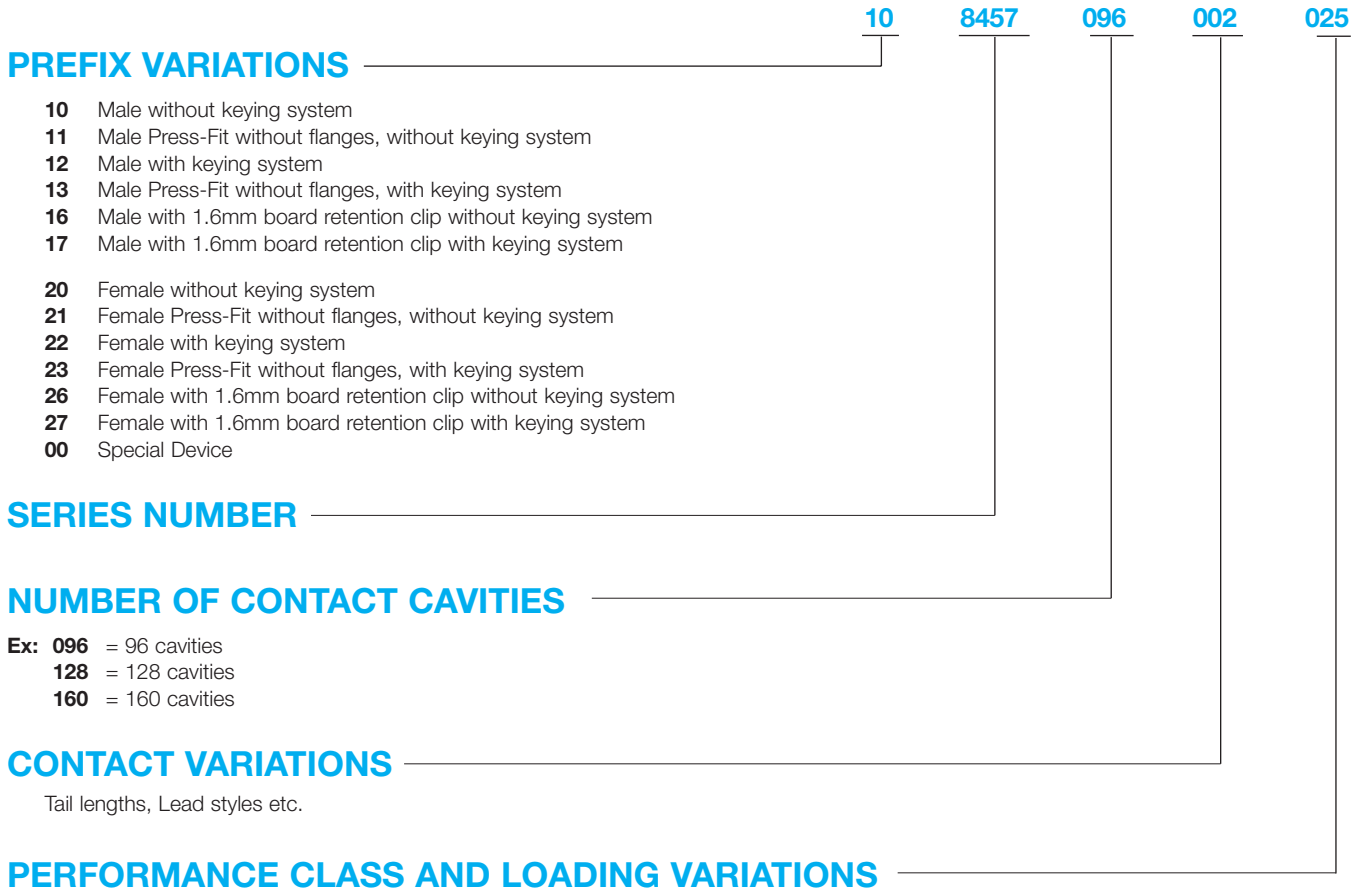
△ denotes ground pin



Unit: millimeters (inches)

| No. Contact Positions | 48 |
|-----------------------|---------------|
| Contact Rows | 3 (3 x 16) |
| A | 15 |
| B | 38.10 (1.500) |
| C | 44.70 (1.760) |
| D | 47.29 (1.862) |
| E | 50.00 (1.968) |
| F | 54.91 (2.162) |

Part Numbering Format



| Class | M55302 Class I | DIN 41612 Class II | DIN 41612 Class III |
|------------|--------------------|-----------------------|------------------------|
| Cycle Life | 500+ Mating Cycles | 400 Mating Cycles | 50 Mating Cycles |

QUALIFIED MILITARY PART NUMBERS

| Military Designation | |
|----------------------|---------------|
| M55302/131-01 | M55302/134-02 |
| M55302/131-02 | M55302/134-04 |
| M55302/132-01 | M55302/134-05 |
| M55302/132-02 | M55302/134-07 |
| M55302/132-03 | M55302/134-08 |
| M55302/132-04 | M55302/157-01 |
| M55302/132-05 | M55302/157-02 |
| M55302/132-06 | M55302/157-03 |
| M55302/133-01 | M55302/157-04 |
| M55302/133-02 | M55302/158-01 |
| M55302/133-03 | M55302/158-02 |
| M55302/134-01 | |

Technical Specifications



inches (mm)

| | | | |
|---|-------------------------------------|---|---|
| SERIES 8254/8459 8457/8458 8477/8478 8483/8484 | Basic Grid | 0.100 (2.54) x 0.100 (2.54) - 0.100 (2.54) x 0.200 (5.08) | |
| | Insertion Force | 3.0 oz./0.83 N average per contact pair (20.23/90N max. for 96 contacts) | |
| | Withdrawal Force | Average per contact pair (.54 oz./0.15N min. per contact) | |
| | Contact Positions | 2 x 16, 2 x 32, 3 x 10, 3 x 16, 3 x 32, 3 x 50, 4 x 32, 4 x 50, 5 x 32 | |
| | Contact Resistance | 20 milliohms max. | |
| | Current Rating* (see note) | 3 amperes @ 20°C max. on connectors up to 96 contacts 1 ampere max. on connectors from 100 to 201 contacts | |
| | Insulation Resistance | 5,000 megohms min. at 500 VDC | |
| | Dielectric Withstanding | 1,000 VAC rms at sea level | |
| | Operating Temperature | -65°C to +125°C | |
| | Insulator Material | Thermoplastic polyester (GF), 94 V-O, UL rated | |
| | Socket Contact Material | Phosphor bronze | |
| | Pin Contact Material | Copper tin | |
| | Wrap Post Dimension | 0.024 x 0.024 (0.6 mm x 0.6 mm) | |
| | Push-Out Force of Post in Insulator | 3 lbs. | |
| | Contact Plating | DIN performance classes | |
| | SERIES 8447 | Basic Grid | 0.200 (5.08) x 0.200 (5.08) |
| | | Insertion Force | 4.0 oz./1.11 N average per contact pair (9.0 lbs./40N max. for 32 contacts) |
| Withdrawal Force | | Average per contact pair (.54 oz./0.15N min. per contact) | |
| Contact Positions | | 2 x 16, 3 x 16 | |
| Contact Resistance | | 15 milliohms max. | |
| Current Rating* (see note) | | 5.5 amperes @ 20°C max. | |
| Insulation Resistance | | 5,000 megohms min. at 500 VDC | |
| Dielectric Withstanding | | 1,550 VAC rms at sea level | |
| Operating Temperature | | -65°C to +125°C | |
| Insulator Material | | Thermoplastic (GI), 94 V-O, UL Rated | |
| Pin Contact Material | | Copper alloy | |
| Wrap Post Dimension | | 1.0 mm x 1.0 mm | |
| Contact Plating | | DIN performance classes | |
| SERIES 8557/8577 | | Basic Grid | 0.100 (2.54) x 0.100 (2.54) - 0.100 (2.54) x 0.200 (5.08) |
| | Insertion Force | 3.0 oz./0.83 N average per contact pair (20.23/90N max. for 96 contacts) | |
| | Withdrawal Force | Average per contact pair (.54 oz./0.15N min. per contact) | |
| | Contact Positions | 3 x 16, 3 x 32, 4 x 32, (inverted receptacle) | |
| | Contact Resistance | 20 milliohms max. | |
| | Current Rating* (see note) | 3 amperes @ 20°C max. on connectors up to 96 contacts | |
| | Insulation Resistance | 5,000 megohms min. at 500 VDC | |
| | Dielectric Withstanding | 1,000 VAC rms at sea level | |
| | Operating Temperature | -65°C to +125°C | |
| | Insulator Material | Surface mount compatible polymers, 94 V-O, UL Rated | |
| | Socket Contact Material | Phosphor bronze | |
| | Pin Contact Material | Copper alloy | |
| | Wrap Post Dimension | 0.024 x 0.024 (0.6 mm x 0.6 mm) | |
| | Push-Out Force of Post in Insulator | 3 lbs. | |
| | Contact Plating | DIN performance classes | |
| | Solder Temperature | max. 250°C | |

*Current Rating: UL approval allows that DIN connectors up to 96 contacts be rated at 3 amperes. Over 96 pins must be derated to 1.0 ampere maximum VDE, CSA, and other European standards rate all DIN and DIN type connectors at 1 ampere maximum when they are on an 0.100 (2.54) x 0.100 (2.54) grid. (UL file # E27610 Vol. #1 Section #6)

Technical Specifications



inches (mm)

| | | |
|--|----------------------------|---|
| SERIES 8449/8450 8456/8454 8487 | Basic Grid | 0.200 (5.08) x 0.200 (5.08) |
| | Insertion Force | 4.0 oz./1.11 N average per contact pair (9.0 lbs./40N max. for 32 contacts) |
| | Withdrawal Force | Average per contact pair (.54 oz./0.15N min. per contact) |
| | Contact Positions | 2 x 5 + 2, 3 x 16, 1 x 11, 1 x 7, 1 x 8 |
| | Contact Resistance | 15 milliohms max. |
| | Current Rating* (see note) | 5.5 amperes @ 20°C max. (8456) |
| | Insulation Resistance | 5,000 megohms min. at 500 VDC |
| | Dielectric Withstanding | 1,550 VAC rms at sea level |
| | Operating Temperature | -65°C to +125°C |
| | Insulator Material | Polycarbonate (GF) |
| | Pin Contact Material | Copper alloy |
| | Wrap Post Dimension | N/A |
| | Contact Plating | DIN performance classes |

*Current Rating: UL approval allows that DIN connectors up to 96 contacts be rated at 3 amperes. Over 96 pins must be derated to 1.0 ampere maximum VDE, CSA, and other European standards rate all DIN and DIN type connectors at 1 ampere maximum when they are on an 0.100 (2.54) x 0.100 (2.54) grid. (UL file # E27610 Vol. #1 Section #6)

单击下面可查看定价，库存，交付和生命周期等信息

[>>AVX](#)