

Vertical Mate Connector 2.0mm Pitch

9155-800



Traditional battery connectors have been used for years in a number of applications: battery packs, removable or pluggable modules and conventional board-to-board to connect both signal level and power circuits. These ultra reliable and robust gold plated beryllium copper contacts provide high integrity connections in harsh environments.

The vertical mate 9155-800 series eliminates end user damage when pluggable modules or packs are pressed down vertically into a base unit. Traditional right angle connectors have contact geometries that rely on the pack being inserted at an angle and then rotated down into position. The unique contact design of this connector deflects cleanly and easily when a module or mating connector is pushed vertically into position, eliminating any end user damage.

APPLICATIONS

- Handheld/portable devices requiring docking or cradle charging
- Patient monitoring or portable medical electronics
- Industrial devices requiring pluggable or programming modules
- Internet appliances requiring battery back-up
- Application notes; refer to 201-01-205

FEATURES AND BENEFITS

- Gold plated BeCu contacts provide high electrical and mechanical performance over 5000 mating cycles
- Unique contact geometry allows for full vertical engagement in pluggable module applications
- Plastic locating bosses and SMT anchor tabs maximizes the mechanical stability of the connector in harsh conditions
- Contact nose incorporates an anti-snag feature to protect during deflection

ELECTRICAL

- Current Rating: 2p-4p: 2.0 Amps, 5p-6p: 1.5 Amps
- Voltage Rating; 125 VAC

ENVIRONMENTAL

- Operating Temperature: -40°C to +125°C

MECHANICAL

- Insulator Material; Glass-Filled Nylon 46; UL94V0
- Contact Material: Beryllium Copper
- Plating: Gold over Nickel, Tin leads
- Durability: 5000 Cycles

HOW TO ORDER

00
Prefix

9155
Series

00X
No of Ways

Code	No of Ways	Packing QTY
002	2	1000
003	3	1000
004	4	1000
005	5	1000
006	6	1000

8XX
Standard Battery Connector

852 = Battery Connector
Right Angle
Connector Height: 5.00mm
Boss: Yes

00

X
Plating Option

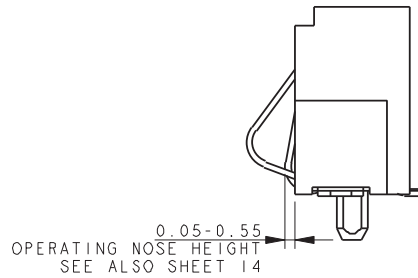
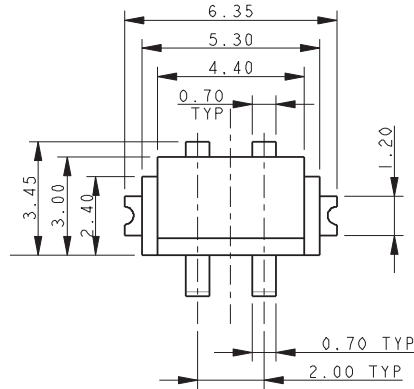
6 = 0.4µm Selective Gold, Pure Tin Tail
8 = 0.8µm Selective Gold, Pure Tin Tail



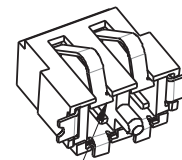
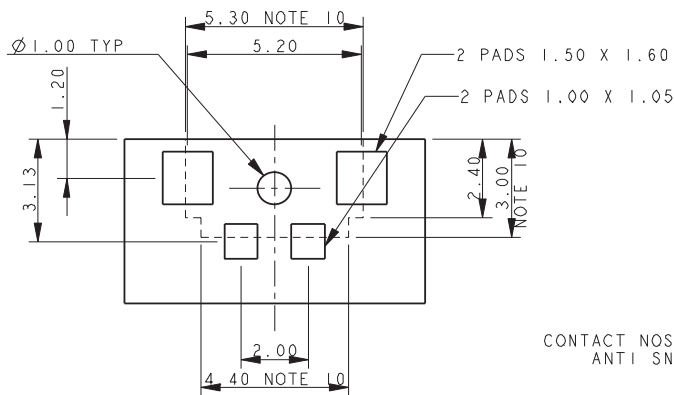
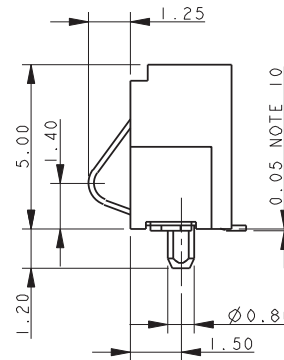
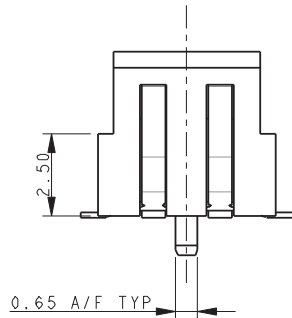
Vertical Mate Connector 2.0mm Pitch

9155-800

2 WAY BATTERY CONNECTOR – RIGHT ANGLE 2MM PITCH - WITH BOSS



DEFLECTED CONTACT



CONTACT NOSE RETAINED
ANTI SNAG FEATURE

SUGGESTED PCB LAYOUT

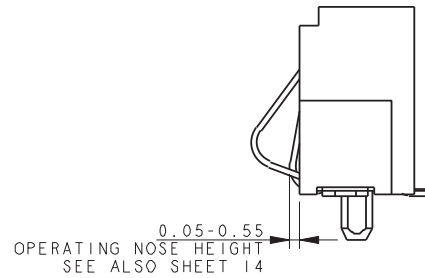
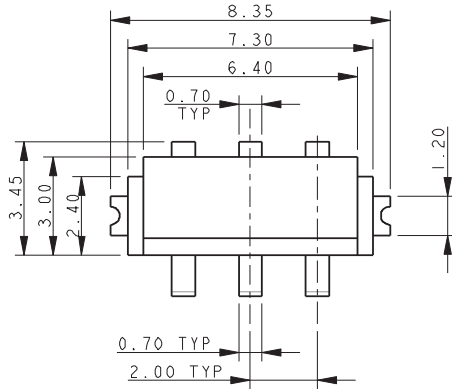
NOTES:

1. GENERAL TOLERANCE ± 0.20 UNLESS STATED.
2. FOR FULL PRODUCT DETAILS REFER TO SPECIFICATION 201-01-2014.
FOR APPLICATION DATA REFER TO SPECIFICATION 201-01-205.
3. FOR MATING PAD DETAILS REFER TO PAGE 44.
4. FOR PACKING DETAILS REFER TO PAGE 43
5. INSULATION MATERIAL: GLASS FILLED NYLON 46, UL94 V-O, COLOR BLACK.
6. CONTACT MATERIAL: BERYLLIUM COPPER.
7. CONTACT PLATING: SELECTIVE GOLD OVER NICKEL, PURE TIN ON TAILS.
8. BRACKET MATERIAL: TIN PLATED PHOSPHOR BRONZE.
9. CONNECTOR OUTLINE.
10. COPLANARITY ON ALL CONTACT TAILS AND PADS 0.12MM MAXIMUM.

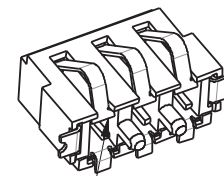
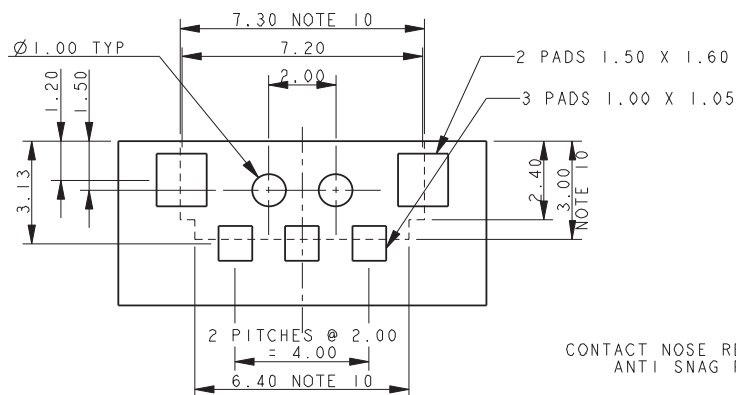
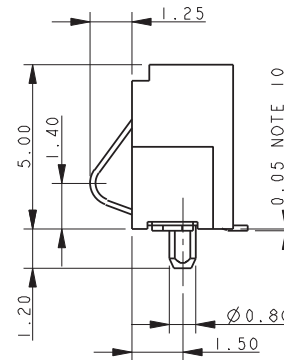
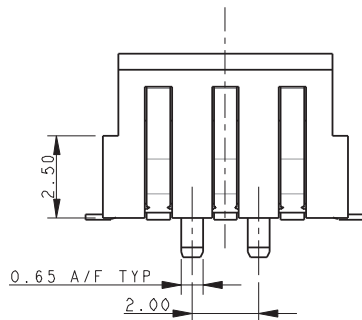
Vertical Mate Connector 2.0mm Pitch

9155-800

3 WAY BATTERY CONNECTOR – RIGHT ANGLE 2MM PITCH - WITH BOSS



DEFLECTED CONTACT



CONTACT NOSE RETAINED
ANTI SNAG FEATURE

SUGGESTED PCB LAYOUT

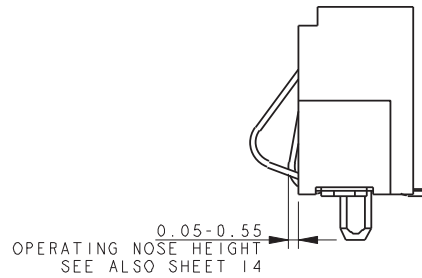
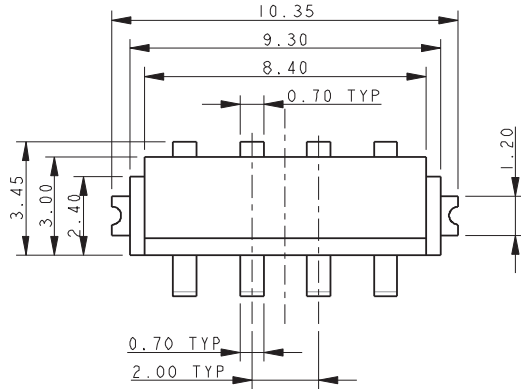
NOTES:

1. GENERAL TOLERANCE ± 0.20 UNLESS STATED.
2. FOR FULL PRODUCT DETAILS REFER TO SPECIFICATION 201-01-2014.
FOR APPLICATION DATA REFER TO SPECIFICATION 201-01-205.
3. FOR MATING PAD DETAILS REFER TO PAGE 44.
4. FOR PACKING DETAILS REFER TO PAGE 43
5. INSULATION MATERIAL: GLASS FILLED NYLON 46, UL94 V-O, COLOR BLACK.
6. CONTACT MATERIAL: BERYLLIUM COPPER.
7. CONTACT PLATING: SELECTIVE GOLD OVER NICKEL, PURE TIN ON TAILS.
8. BRACKET MATERIAL: TIN PLATED PHOSPHOR BRONZE.
9. CONNECTOR OUTLINE.
10. COPLANARITY ON ALL CONTACT TAILS AND PADS 0.12MM MAXIMUM.

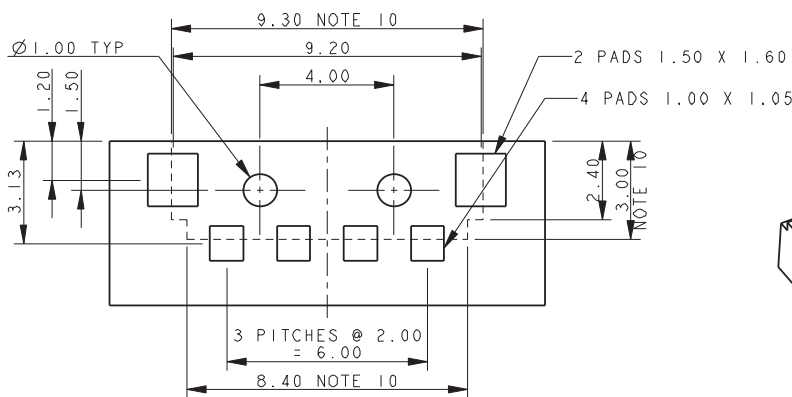
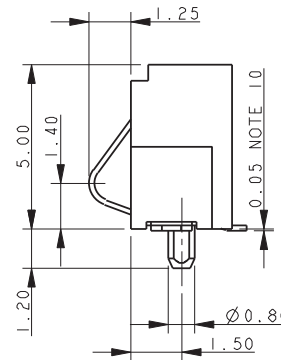
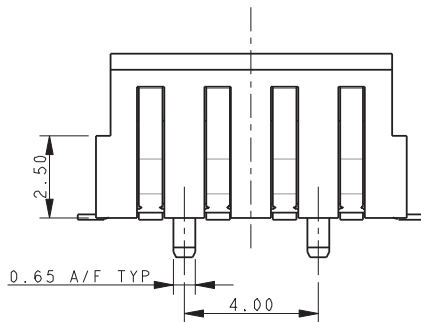
Vertical Mate Connector 2.0mm Pitch

9155-800

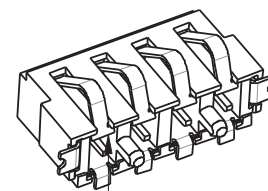
4 WAY BATTERY CONNECTOR – RIGHT ANGLE 2MM PITCH - WITH BOSS



DEFLECTED CONTACT



SUGGESTED PCB LAYOUT



CONTACT NOSE RETAINED
ANTI SNAG FEATURE

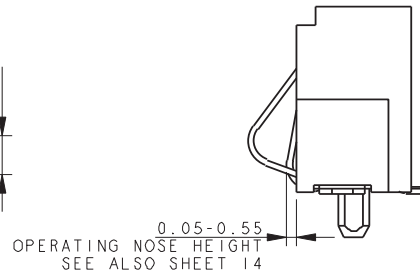
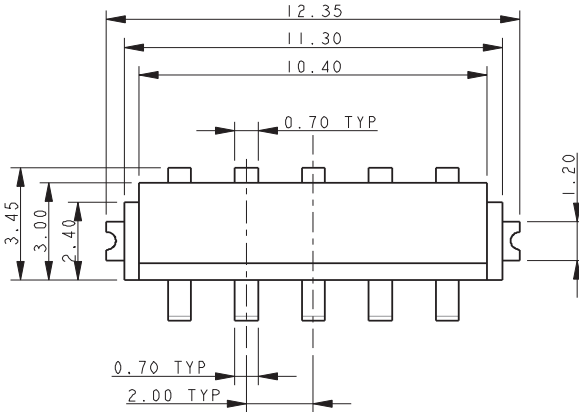
NOTES:

1. GENERAL TOLERANCE ± 0.20 UNLESS STATED.
2. FOR FULL PRODUCT DETAILS REFER TO SPECIFICATION 201-01-2014.
FOR APPLICATION DATA REFER TO SPECIFICATION 201-01-205.
3. FOR MATING PAD DETAILS REFER TO PAGE 44.
4. FOR PACKING DETAILS REFER TO PAGE 43
5. INSULATION MATERIAL: GLASS FILLED NYLON 46, UL94 V-O, COLOR BLACK.
6. CONTACT MATERIAL: BERYLLIUM COPPER.
7. CONTACT PLATING: SELECTIVE GOLD OVER NICKEL, PURE TIN ON TAILS.
8. BRACKET MATERIAL: TIN PLATED PHOSPHOR BRONZE.
9. CONNECTOR OUTLINE.
10. COPLANARITY ON ALL CONTACT TAILS AND PADS 0.12MM MAXIMUM.

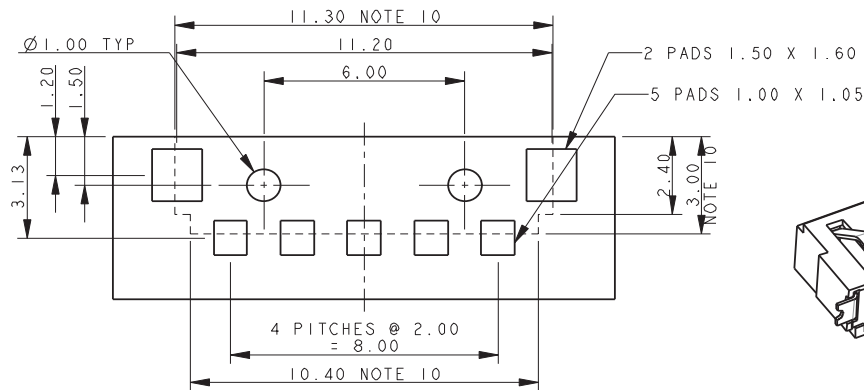
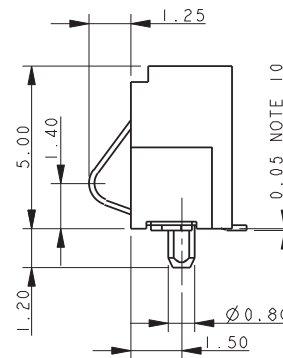
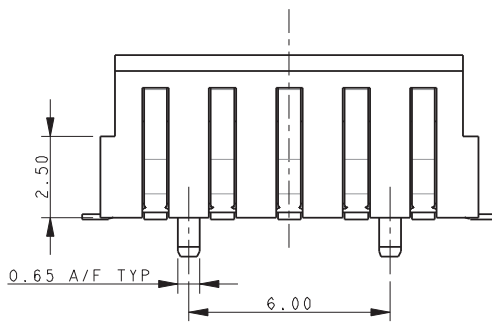
Vertical Mate Connector 2.0mm Pitch

9155-800

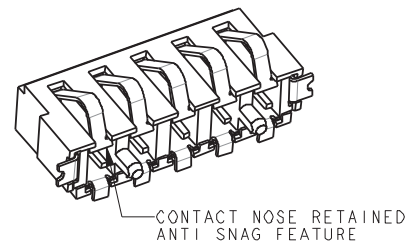
5 WAY BATTERY CONNECTOR – RIGHT ANGLE 2MM PITCH - WITH BOSS



DEFLECTED CONTACT



SUGGESTED PCB LAYOUT



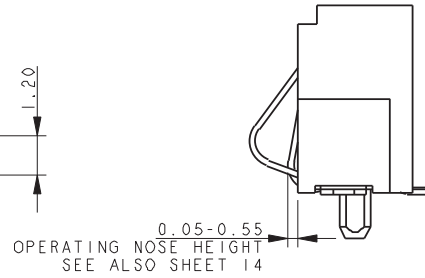
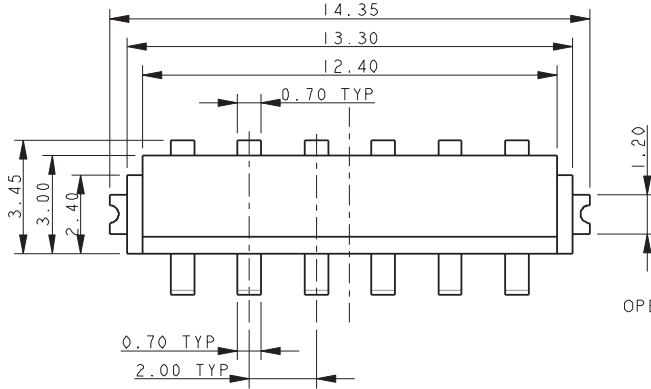
NOTES:

1. GENERAL TOLERANCE ± 0.20 UNLESS STATED.
2. FOR FULL PRODUCT DETAILS REFER TO SPECIFICATION 201-01-2014.
FOR APPLICATION DATA REFER TO SPECIFICATION 201-01-205.
3. FOR MATING PAD DETAILS REFER TO PAGE 44.
4. FOR PACKING DETAILS REFER TO PAGE 43
5. INSULATION MATERIAL: GLASS FILLED NYLON 46, UL94 V-O, COLOR BLACK.
6. CONTACT MATERIAL: BERYLLIUM COPPER.
7. CONTACT PLATING: SELECTIVE GOLD OVER NICKEL, PURE TIN ON TAILS.
8. BRACKET MATERIAL: TIN PLATED PHOSPHOR BRONZE.
9. CONNECTOR OUTLINE.
10. COPLANARITY ON ALL CONTACT TAILS AND PADS 0.12MM MAXIMUM.

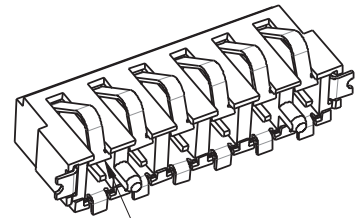
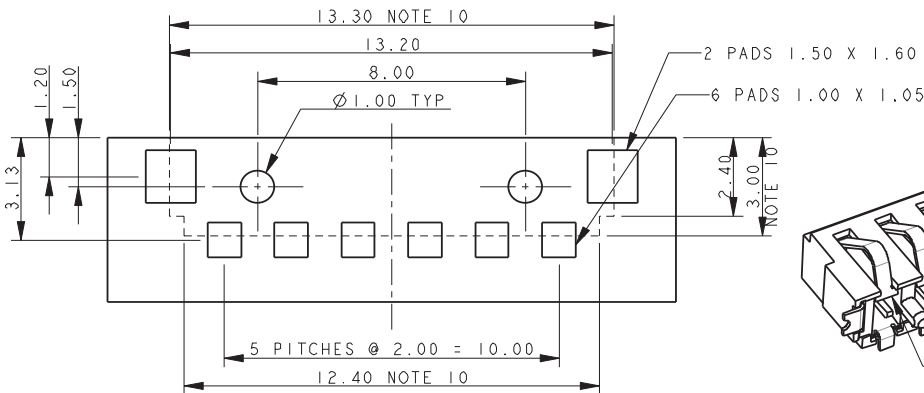
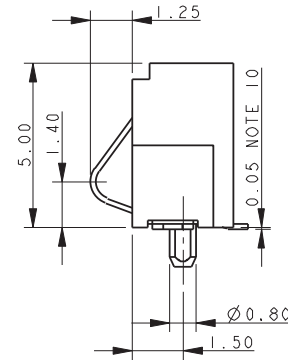
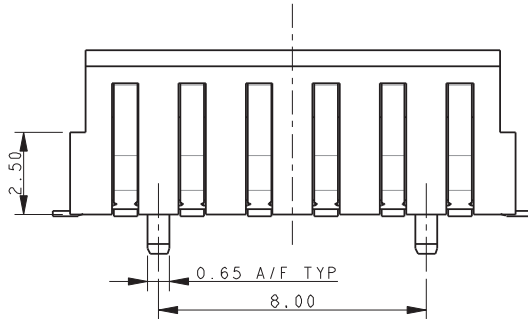
Vertical Mate Connector 2.0mm Pitch

9155-800

6 WAY BATTERY CONNECTOR – RIGHT ANGLE 2MM PITCH - WITH BOSS



DEFLECTED CONTACT



CONTACT NOSE RETAINED
ANTI SNAG FEATURE

SUGGESTED PCB LAYOUT

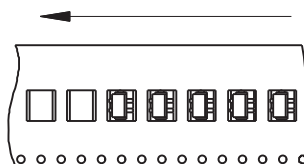
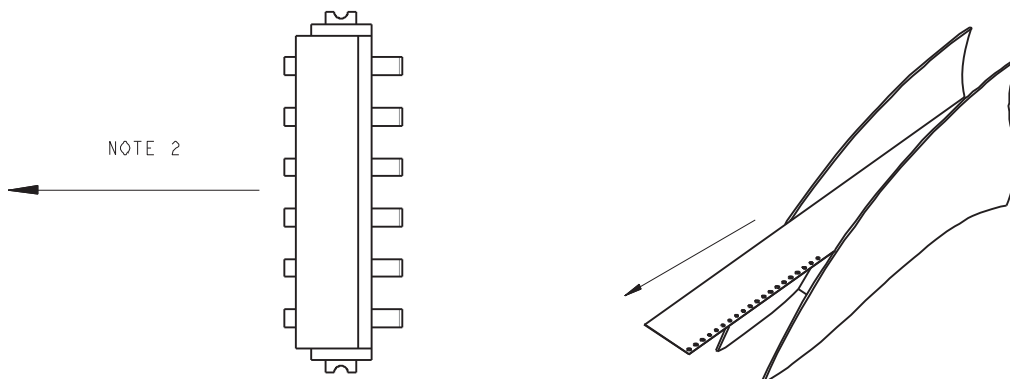
NOTES:

1. GENERAL TOLERANCE ± 0.20 UNLESS STATED.
2. FOR FULL PRODUCT DETAILS REFER TO SPECIFICATION 201-01-2014.
FOR APPLICATION DATA REFER TO SPECIFICATION 201-01-205.
3. FOR MATING PAD DETAILS REFER TO PAGE 44.
4. FOR PACKING DETAILS REFER TO PAGE 43
5. INSULATION MATERIAL: GLASS FILLED NYLON 46, UL94 V-O, COLOR BLACK.
6. CONTACT MATERIAL: BERYLLIUM COPPER.
7. CONTACT PLATING: SELECTIVE GOLD OVER NICKEL, PURE TIN ON TAILS.
8. BRACKET MATERIAL: TIN PLATED PHOSPHOR BRONZE.
9. CONNECTOR OUTLINE.
10. COPLANARITY ON ALL CONTACT TAILS AND PADS 0.12MM MAXIMUM.

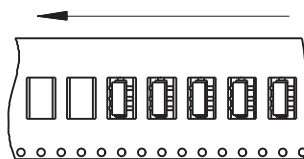
Vertical Mate Connector 2.0mm Pitch

9155-800

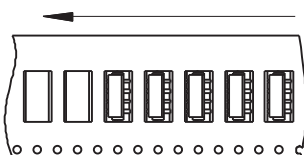
PACKING DETAILS



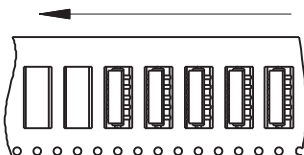
No of Ways	2
REEL QTY	100 without Boss
TAPE WIDTH	24mm
POCKET PITCH	8mm



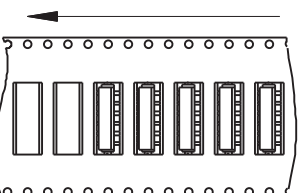
No of Ways	3
REEL QTY	100 without Boss
TAPE WIDTH	24mm
POCKET PITCH	8mm



No of Ways	4
REEL QTY	100 without Boss
TAPE WIDTH	24mm
POCKET PITCH	8mm



No of Ways	5
REEL QTY	100 without Boss
TAPE WIDTH	24mm
POCKET PITCH	8mm



No of Ways	6
REEL QTY	100 without Boss
TAPE WIDTH	24mm
POCKET PITCH	8mm

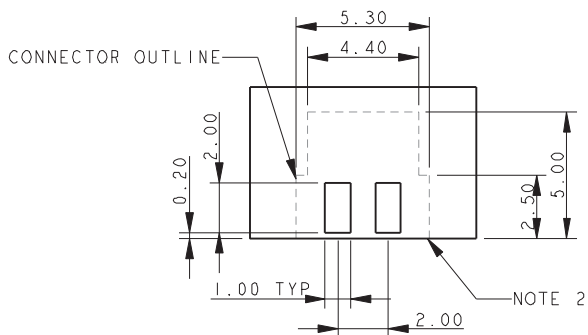
- NOTES:
 1. PARTS TO BE PACKED ON 330MM DIAMETER REELS.
 2. COMPONENT ORIENTATION SHOWN.

Vertical Mate Connector 2.0mm Pitch

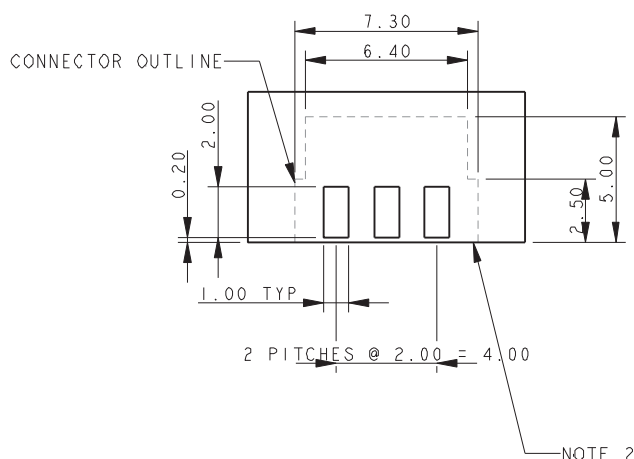
9155-800

2MM PITCH RIGHT ANGLE – MATING PADS

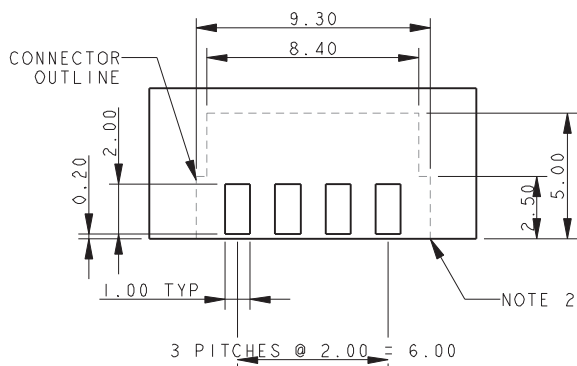
2 WAY – MATING PADS



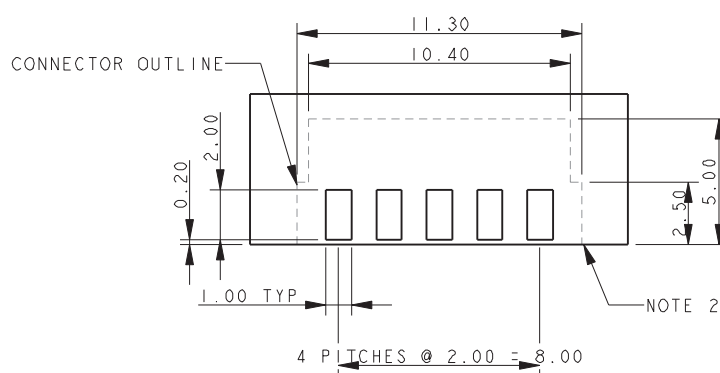
3 WAY – MATING PADS



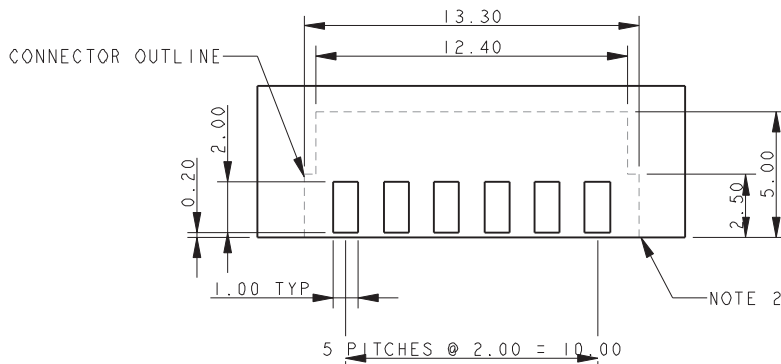
4 WAY – MATING PADS



5 WAY – MATING PADS



6 WAY – MATING PADS



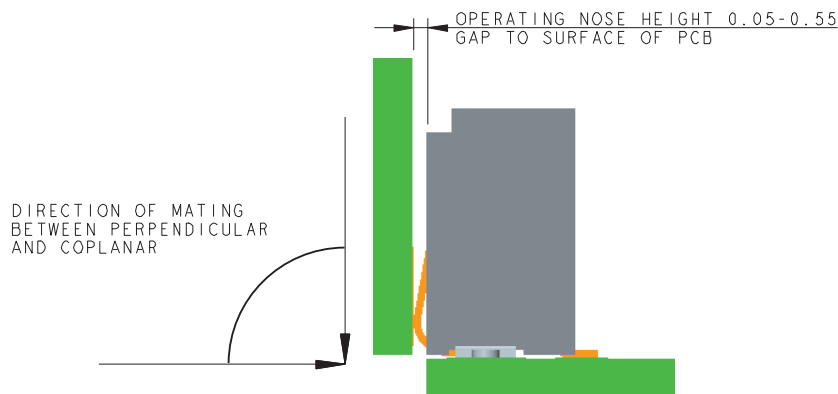
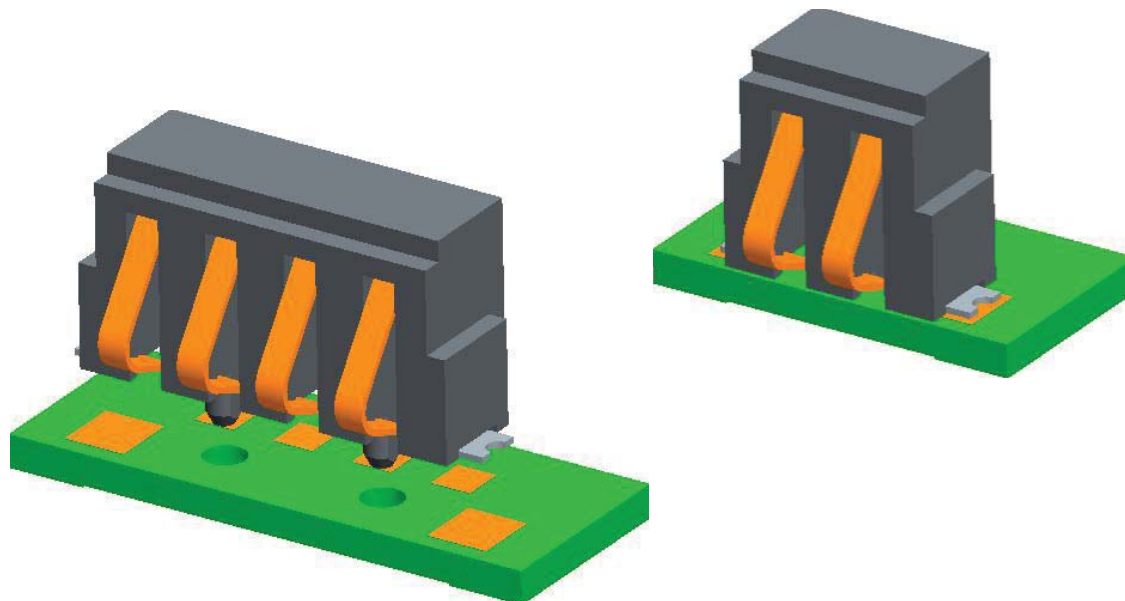
NOTES:

1. SUGGESTED MATING PADS FOR RIGHT ANGLE BATTERY CONNECTOR.
2. TOP SURFACE OF SMT PCB/BASE OF CONNECTOR.
3. PREFERRED PLATING ON PADS, GOLD OVER NICKEL.

Vertical Mate Connector 2.0mm Pitch

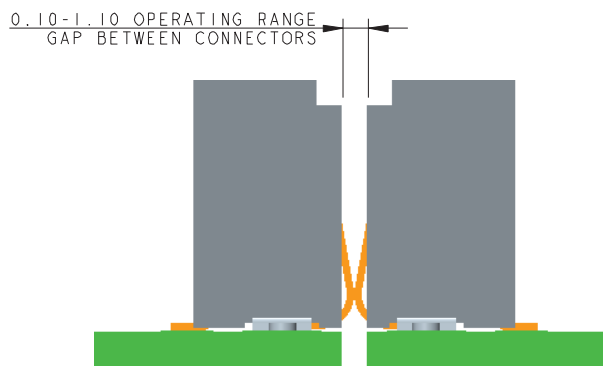
9155-800

2MM PITCH RIGHT ANGLE CONNECTOR



BOARD TO BOARD/COMPONENT

(REFER TO APPLICATION NOTES 201-01-205)



CONNECTOR TO CONNECTOR

(REFER TO APPLICATION NOTES 201-01-205)

单击下面可查看定价，库存，交付和生命周期等信息

[>>AVX](#)