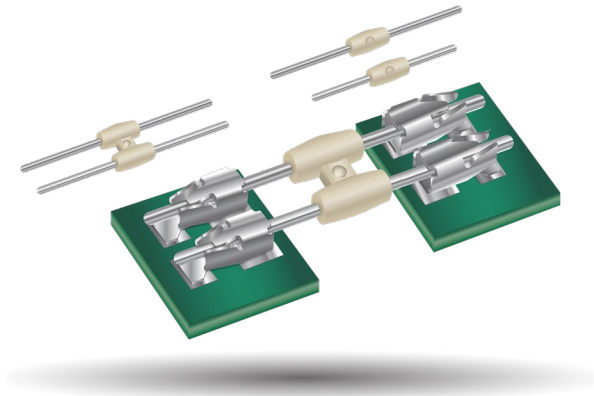
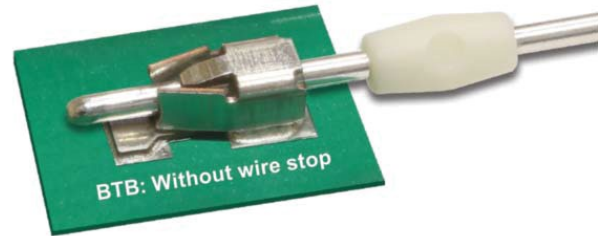


Jumper: 10-9296 BTB

General Description



- Multiple jumper pins to be used in linear BTB applications
- 1.0mm pin diameter comes in a 38.15mm and 26mm length
 - 1.0mm pin to be used with 709296001025016
- 0.8mm pin diameter comes in a 16mm length
 - 0.8mm pin to be used with 709296001002016 and the 9296-202 series



APPLICATIONS

- The 709296001025016 and 709296001002016 contacts without a wire stop, allow the pin header to pass straight thru the contacts until the final seating/mating dimension is achieved
- Single pin connection between linear PCB's
- 38mm pin allows for modules to be connected where the PCB is recessed within the plastic housing.

FEATURES AND BENEFITS

- Absorption of PCB and module mating tolerances by allowing the unrestricted pin to pass through the contact by eliminating the traditional wire stop
- Two different pin lengths and pin diameters to accommodate a
- number of board-to-board and module-to-module connections
- The unique geometry of the insulator lends itself to water tightness when matched with a corresponding housing cavity

ELECTRICAL

- Current Rating:
1.0mm Pin Diameter = 6.5A
0.8mm Pin Diameter = 5A
- Voltage Rating:
300V (based on contact spacing)

ENVIRONMENTAL

- Operating Temperature:
-40°C to +105°C

MECHANICAL

- Insulator Material: Glass-Filled Nylon PA-66; UL94V0
- Contact Material: Brass
- Plating: Lead-Free Tin Over Nickel
- Durability: 3 Cycles

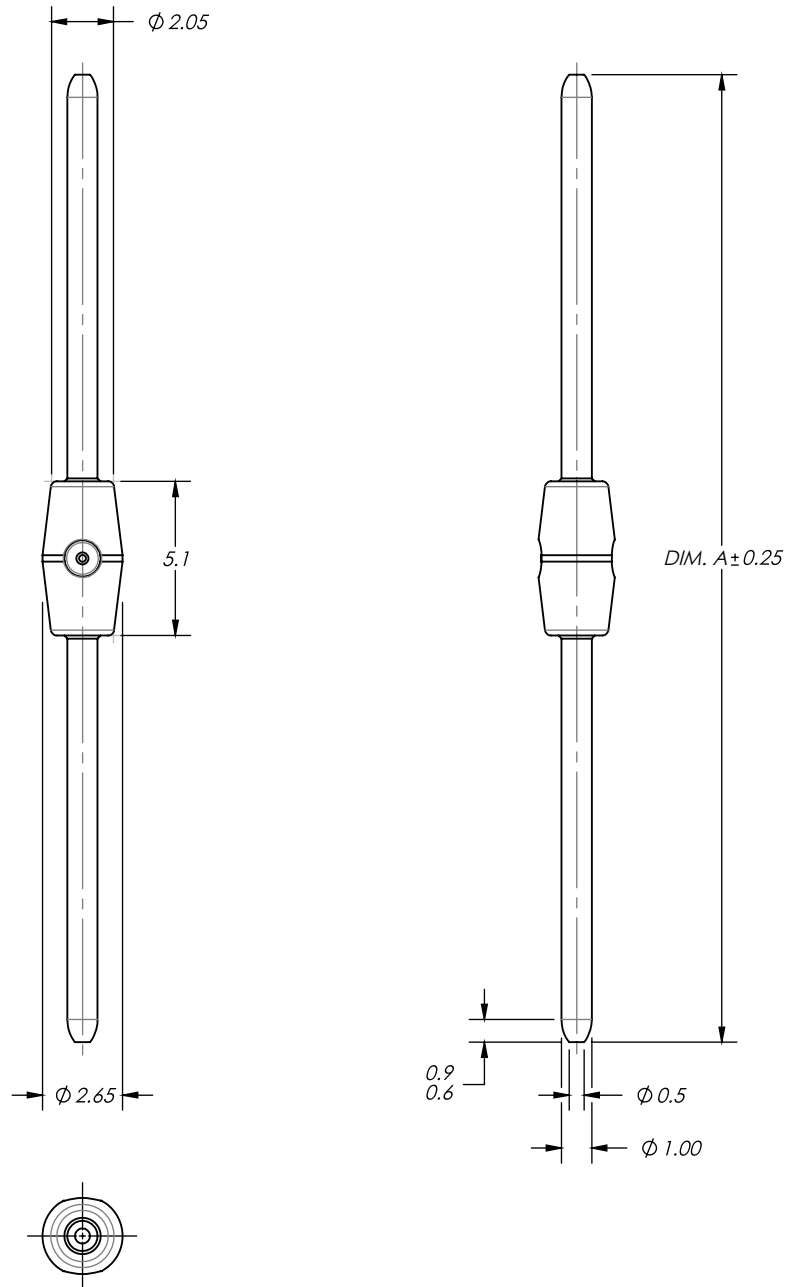
HOW TO ORDER

10	9296	00X	XXX	X	X	6
Prefix	Series	Number of Positions	Pin Length 0.8mm Dia. Pin	Housing Color Standard	Pin Size/Spacing Pin diameter/Spacing*	Contact Plating
10 = Plug		001 = 1 pin 002 = 2 pin	160 = 16mm 1.0mm Dia. Pin 260 = 26mm 381 = 38.15mm	9 = White/Natural Special Order 2 = Brown 3 = Blue 4 = Yellow 5 = Red 6 = Green 7 = Orange	0 = \emptyset 1.00 on 4.00mm Pitch 1 = \emptyset 0.80 on 3.00mm Pitch	6 = Pure Tin

Certification: UL File #E90723



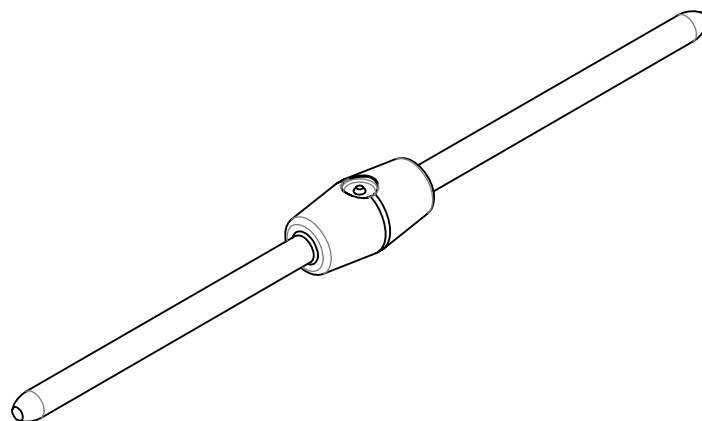
10-9296-001-XXX-X06 (1.0MM)



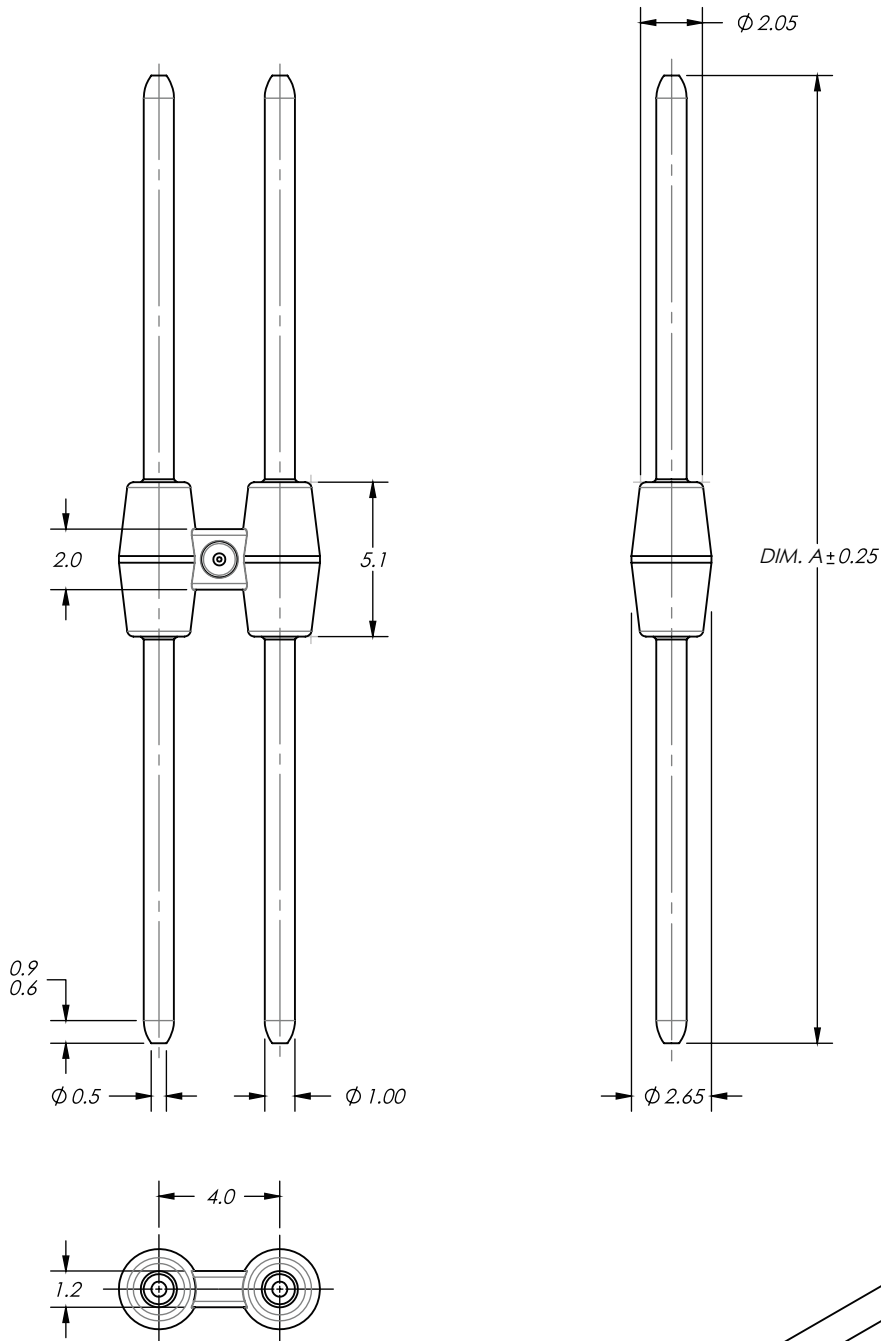
Part Number	Dim. A
10-9296-001-260-X06	26.0
10-9296-001-381-X06	38.15

NOTES:

- HOUSING MATERIAL: GLASS-FILLED NYLON; PA-66; FLAME RETARDANT PER UL94V-0; COLOR: PER CODE.
- PIN MATERIAL: BRASS.
- PIN PLATING: LEAD-FREE TIN OVER NICKEL.
- PACKAGING TO BE BULK, 1,000 PER BAG.
- SPECIFICATIONS:
 - CURRENT RATING: 6.5A
 - INSULATION RESISTANCE: 1,000M Ω MINIMUM
 - CONTACT RESISTANCE: 25 Ω MAXIMUM
 - DIELECTRIC WITHSTANDING VOLTAGE: 1,600V AC/DC
 - OPERATING TEMPERATURE: SPEC -40°C TO +125°C - UL RATING UP TO 130°C.



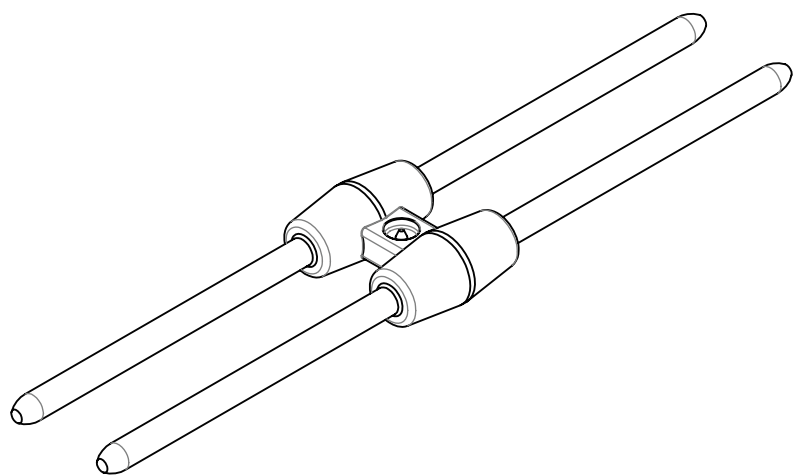
10-9296-002-XXX-X06 (1.0MM)



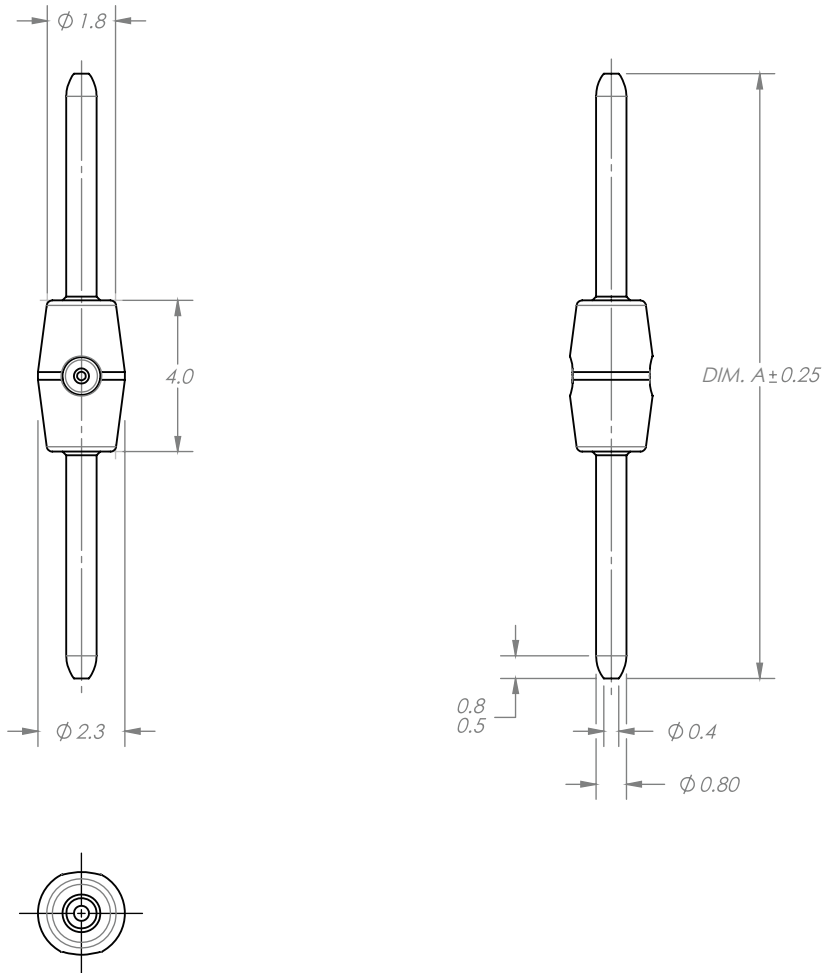
Part Number	Dim. A
10-9296-001-260-906	26.0
10-9296-001-381-906	38.15

NOTES:

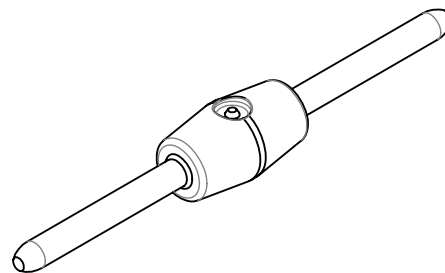
1. HOUSING MATERIAL: GLASS-FILLED NYLON; PA-66;
FLAME RETARDANT PER UL94V-0; COLOR: PER CODE.
2. PIN MATERIAL: BRASS.
3. PIN PLATING: LEAD-FREE TIN OVER NICKEL.
4. PACKAGING TO BE BULK, 500 PER BAG.
5. SPECIFICATIONS:
 - CURRENT RATING: 6.5A
 - INSULATION RESISTANCE: 1,000MΩ MINIMUM
 - CONTACT RESISTANCE: 25Ω MAXIMUM
 - DIELECTRIC WITHSTANDING VOLTAGE: 1,600V_{AC/DC}
 - OPERATING TEMPERATURE: SPEC -40°C TO +125°C - UL RATING UP TO 130°C.



10-9296-001-XXX-X16 (0.8MM)



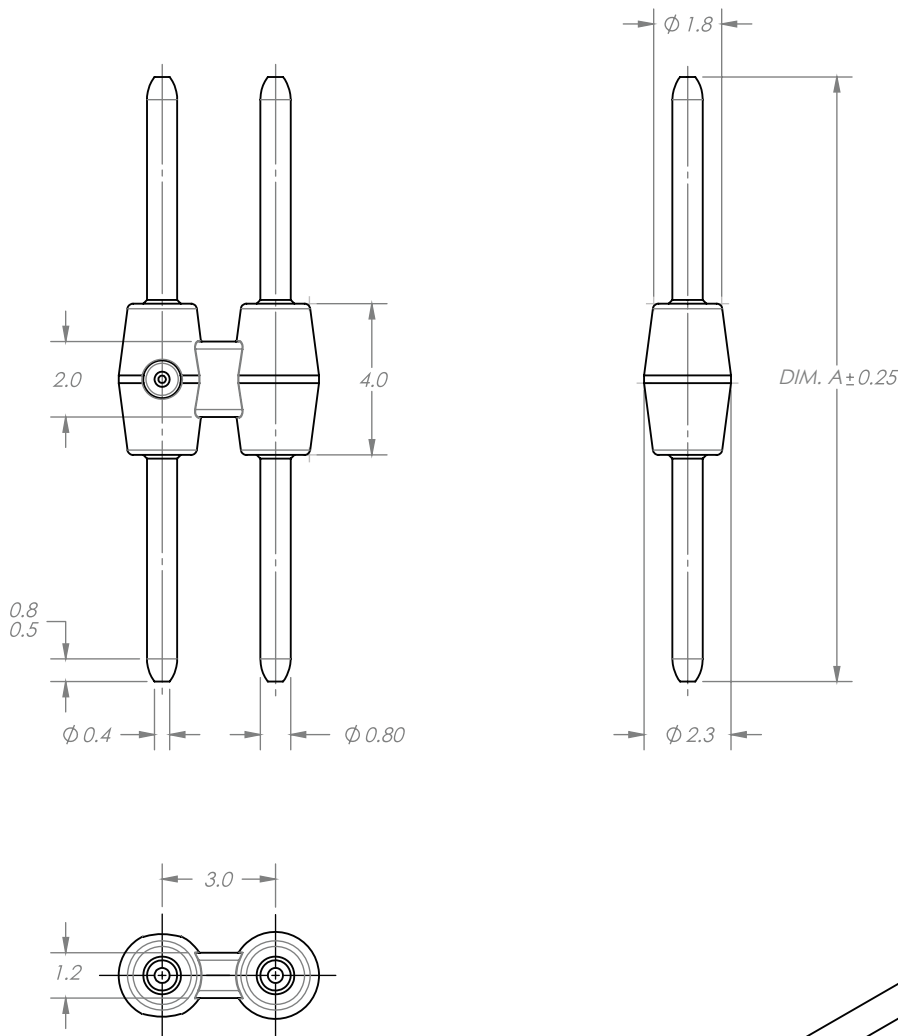
Part Number	Dim. A
10-9296-001-160-X16	26.0
T.B.D.	T.B.D.



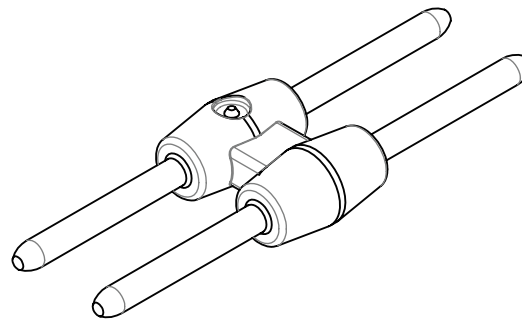
NOTES:

1. HOUSING MATERIAL: GLASS-FILLED NYLON; PA-66;
FLAME RETARDANT PER UL94V-0; COLOR: PER CODE.
2. PIN MATERIAL: BRASS.
3. PIN PLATING: LEAD-FREE TIN OVER NICKEL.
4. PACKAGING TO BE BULK, 1,000 PER BAG.
5. SPECIFICATIONS:
 - CURRENT RATING: 5.0 AMPS
 - INSULATION RESISTANCE: 1,000M Ω MINIMUM
 - CONTACT RESISTANCE: 25 Ω MAXIMUM
 - DIELECTRIC WITHSTANDING VOLTAGE: 1,600V AC/DC
 - OPERATING TEMPERATURE: SPEC -40°C TO +125°C - UL RATING UP TO 130°C.
6. GENERAL TOLERANCE - ± 0.2 .

10-9296-002-XXX-X16 (0.8MM)



Part Number	Dim. A
10-9296-001-160-X16	16.0
T.B.D.	T.B.D.



NOTES:

1. HOUSING MATERIAL: GLASS-FILLED NYLON; PA-66;
FLAME RETARDANT PER UL94V-0; COLOR: PER CODE.
2. PIN MATERIAL: BRASS.
3. PIN PLATING: LEAD-FREE TIN OVER NICKEL.
4. PACKAGING TO BE BULK, 1,000 PER BAG.
5. SPECIFICATIONS:
 - CURRENT RATING: 5.0 AMPS
 - INSULATION RESISTANCE: 1,000M Ω MINIMUM
 - CONTACT RESISTANCE: 25 Ω MAXIMUM
 - DIELECTRIC WITHSTANDING VOLTAGE: 1,600V AC/DC
 - OPERATING TEMPERATURE: SPEC -40°C TO +125°C - UL RATING UP TO 130°C.
6. GENERAL TOLERANCE - ± 0.2 .

单击下面可查看定价，库存，交付和生命周期等信息

[>>AVX](#)