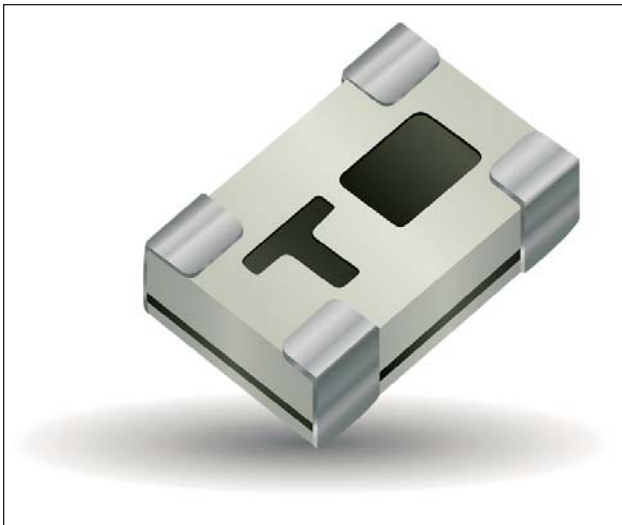


BP0805 Thin Film Band Pass Filter



BP0805A1308ASTR



ITF TECHNOLOGY

The BP0805 Band Pass Filter is based on thin-film multilayer technology. The technology provides a miniature part with excellent high frequency performance and rugged construction for reliable automatic assembly.

The ITF Filter is offered in a variety of frequency bands compatible with various types of high frequency wireless systems.

FEATURES

- Small size: 0805
- Frequency: 1308MHz
- Band: 1220-1420MHz
- Characteristic impedance: 50Ω
- Operating / Storage temp: -40°C – +85°C
- Low profile
- Rugged construction
- Taped and reeled
- RoHS compliant

APPLICATIONS

- Mobile communications
- Satellite TV receivers
- GPS
- Vehicle location systems
- Wireless LAN's

HOW TO ORDER

| | | | | | | |
|--------|------|------|-----------------|----------|-------------|----------------|
| BP | 0805 | A | 1308 | A | S | TR |
| Series | Size | Type | Frequency (MHz) | Sub-Type | Termination | Taped & Reeled |

FINAL QUALITY INSPECTION

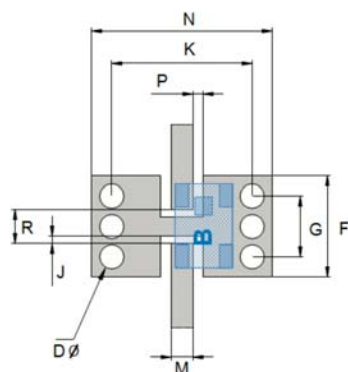
Finished parts are 100% tested for electrical parameters and visual/mechanical characteristics. Each production lot is evaluated on a sample basis for:

- Static Humidity: 85°C, 85% RH, 160 hours
- Endurance : 125°C, IR, 4 hours

TERMINATION

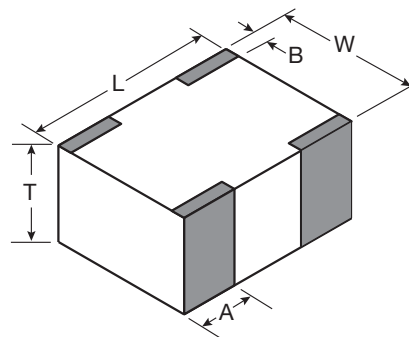
Nickel/ Lead free Solder coating (Sn100) compatible with automatic soldering technologies: reflow, wave soldering, vapor phase and manual.

RECOMMENDED PAD LAYOUT mm



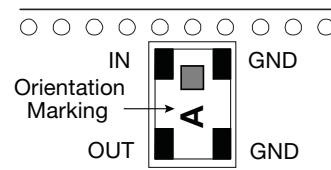
| | |
|---|-----------|
| F | 2.5±0.05 |
| G | 1.5±0.05 |
| J | 0.19±0.05 |
| K | 3.48±0.05 |
| M | 0.54±0.25 |
| N | 4.48±0.05 |
| P | 0.25±0.05 |
| R | 0.85±0.05 |
| D | 0.6±0.05 |

DIMENSIONS (Top View) mm (inches)



| | |
|---|----------------------------|
| L | 2.03±0.1 (0.080±0.004) |
| W | 1.55±0.1 (0.061±0.004) |
| T | 0.80±0.1 (0.032±0.004) |
| A | 0.56±0.25 (0.022±0.010) |
| B | 0.35±0.15 (0.014±0.006) |

TERMINALS AND LAYOUT (Top View)



BP0805 Thin Film Band Pass Filter

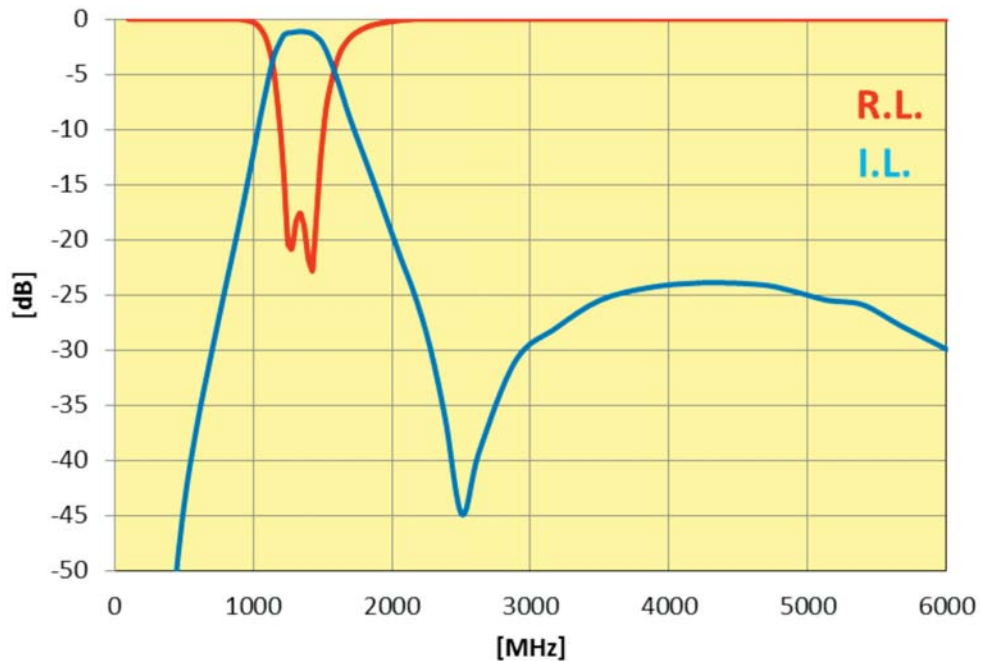


BP0805A1308ASTR

ELECTRICAL CHARACTERISTICS

| Description | Value |
|---------------------------------|-------------------------|
| Center frequency | 1308 MHz |
| Impedance | 50 Ohm |
| Band | 1220-1420MHz |
| I. loss at center frequency | 1.2dB max. |
| In-band insertion loss flatness | 0.8dB |
| In-band return loss | 12dB |
| Rejection in [760-945 MHz] | 16dBc min. |
| Rejection in [2920-3105 MHz] | 30dBc min |
| Power handling (CW) | 5W |
| Operating temperature range | -40/+85°C |
| Package | SMD, standard 0805 size |

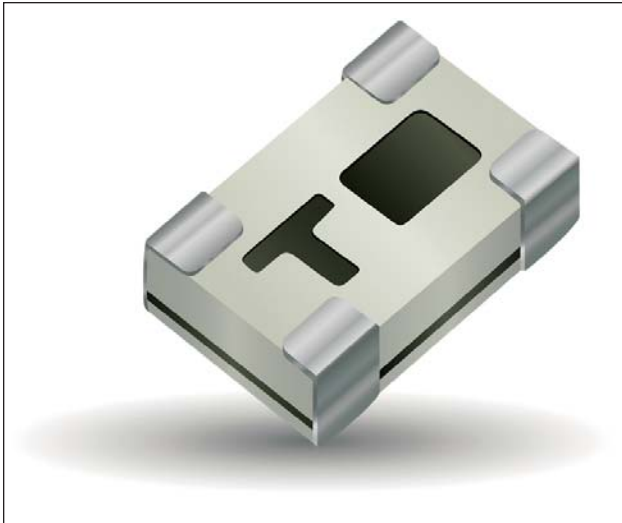
TYPICAL ELECTRICAL PERFORMANCE



BP0805 Thin Film Band Pass Filter



BP0805A1457ASTR



ITF TECHNOLOGY

The BP0805 Band Pass Filter is based on thin-film multilayer technology. The technology provides a miniature part with excellent high frequency performance and rugged construction for reliable automatic assembly.

The ITF Filter is offered in a variety of frequency bands compatible with various types of high frequency wireless systems.

FEATURES

- Small size: 0805
- Frequency: 1457MHz
- Band: 1447-1467MHz
- Characteristic impedance: 50Ω
- Operating / Storage temp: -40°C – +85°C
- Low profile
- Rugged construction
- Taped and reeled
- RoHS compliant

APPLICATIONS

- Mobile communications
- Satellite TV receivers
- GPS
- Vehicle location systems
- Wireless LAN's

HOW TO ORDER

BP 0805 A 1457 A S TR
 Series Size Type Frequency (MHz) Sub-Type Termination Taped & Reeled

FINAL QUALITY INSPECTION

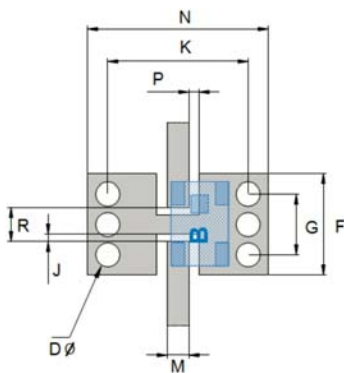
Finished parts are 100% tested for electrical parameters and visual/mechanical characteristics. Each production lot is evaluated on a sample basis for:

- Static Humidity: 85°C, 85% RH, 160 hours
- Endurance: 125°C, IR, 4 hours

TERMINATION

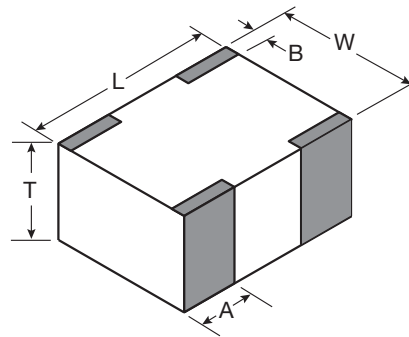
Nickel/ Lead free Solder coating (Sn100) compatible with automatic soldering technologies: reflow, wave soldering, vapor phase and manual.

RECOMMENDED PAD LAYOUT mm



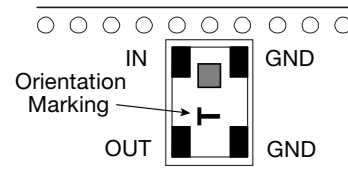
| | |
|---|-----------|
| F | 2.5±0.05 |
| G | 1.5±0.05 |
| J | 0.19±0.05 |
| K | 3.48±0.05 |
| M | 0.54±0.25 |
| N | 4.48±0.05 |
| P | 0.25±0.05 |
| R | 0.85±0.05 |
| D | 0.6±0.05 |

DIMENSIONS (Top View) mm (inches)



| | |
|---|----------------------------|
| L | 2.03±0.1 (0.080±0.004) |
| W | 1.55±0.1 (0.061±0.004) |
| T | 0.80±0.1 (0.032±0.004) |
| A | 0.56±0.25 (0.022±0.010) |
| B | 0.35±0.15 (0.014±0.006) |

TERMINALS AND LAYOUT (Top View)



BP0805 Thin Film Band Pass Filter

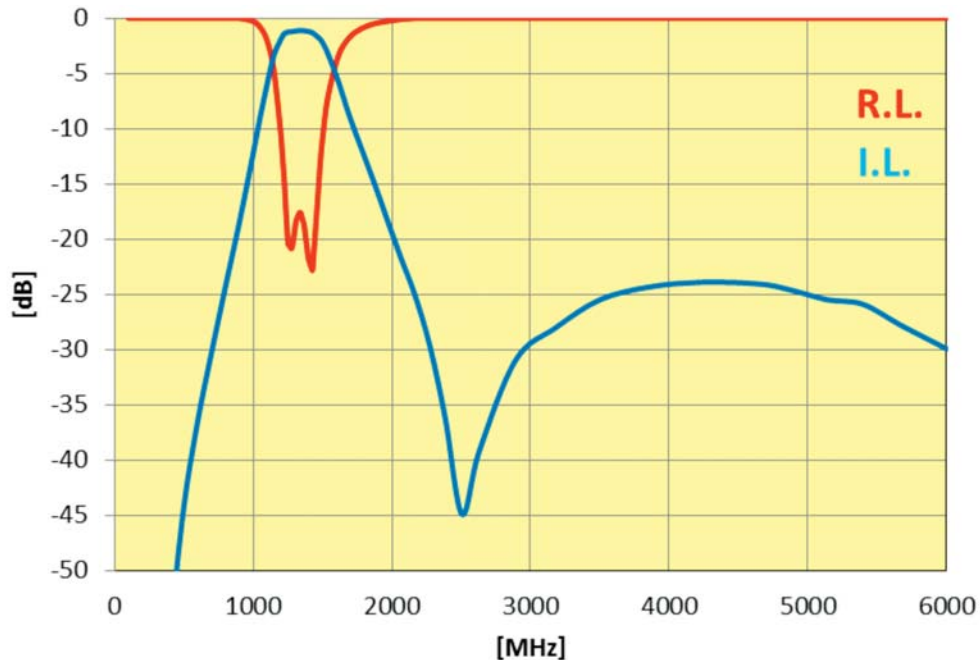


BP0805A1457ASTR

ELECTRICAL CHARACTERISTICS

| Description | Value |
|-----------------------------|-------------------------|
| Center frequency | 1457 MHz |
| Impedance | 50 Ohm |
| Band | 1447-1467MHz |
| I. loss 1447-1467MHz | -1.5dB max. |
| In-band VSWR (return loss) | <1.8 (-11dB) |
| Rejection 925-960MHz | >=20dB |
| Rejection in 2110-2170MHz | >=25dB |
| Rejection in 2300-2400MHz | >=25dB |
| Rejection in 2500-2690MHz | >=30dB |
| Rejection 3400-3600MHz | >=30dB |
| Rejection 5150-5925MHz | >=19dB |
| Power handling (CW) | 5 Watt |
| Operating temperature range | -40/+85°C |
| Package | SMD, standard 0805 size |

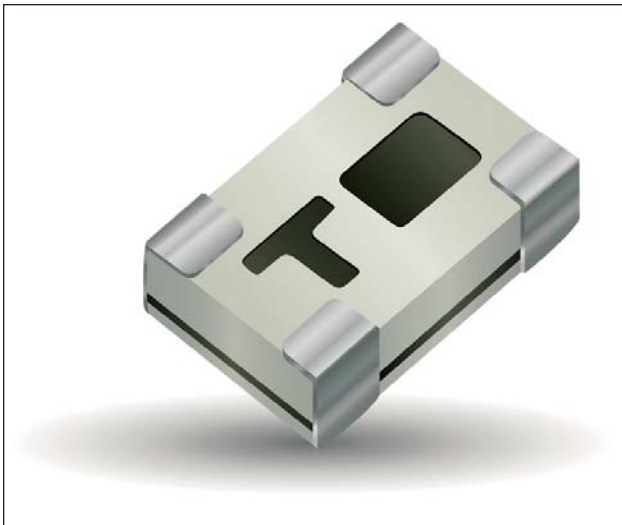
TYPICAL ELECTRICAL PERFORMANCE



BP0805 Thin Film Band Pass Filter



BP0805A1795ASTR



ITF TECHNOLOGY

The BP0805 Band Pass Filter is based on thin-film multilayer technology. The technology provides a miniature part with excellent high frequency performance and rugged construction for reliable automatic assembly.

The ITF Filter is offered in a variety of frequency bands compatible with various types of high frequency wireless systems.

FEATURES

- Small size: 0805
- Frequency 1795MHz
- Band: 1785-1805MHz
- Characteristic impedance: 50Ω
- Operating / Storage temp: -40°C – +85°C
- Low profile
- Rugged construction
- Taped and reeled
- RoHS compliant

APPLICATIONS

- Mobile communications
- Satellite TV receivers
- GPS
- Vehicle location systems
- Wireless LAN's

HOW TO ORDER

BP **0805** **A** **1795** **A** **S** **TR**
 Series Size Type Frequency (MHz) Sub-Type Termination Taped & Reeled

FINAL QUALITY INSPECTION

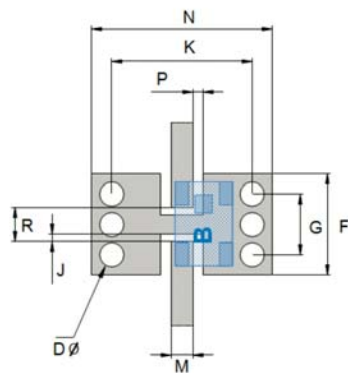
Finished parts are 100% tested for electrical parameters and visual/mechanical characteristics. Each production lot is evaluated on a sample basis for:

- Static Humidity: 85°C, 85% RH, 160 hours
- Endurance: 125°C, IR, 4 hours

TERMINATION

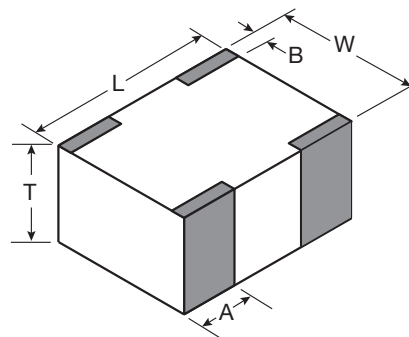
Nickel/ Lead free Solder coating (Sn100) compatible with automatic soldering technologies: reflow, wave soldering, vapor phase and manual.

RECOMMENDED PAD LAYOUT mm



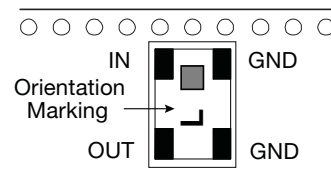
| | |
|---|-----------|
| F | 2.5±0.05 |
| G | 1.5±0.05 |
| J | 0.19±0.05 |
| K | 3.48±0.05 |
| M | 0.54±0.25 |
| N | 4.48±0.05 |
| P | 0.25±0.05 |
| R | 0.85±0.05 |
| D | 0.6±0.05 |

DIMENSIONS (Top View) mm (inches)



| | |
|---|----------------------------|
| L | 2.03±0.1 (0.080±0.004) |
| W | 1.55±0.1 (0.061±0.004) |
| T | 0.80±0.1 (0.032±0.004) |
| A | 0.56±0.25 (0.022±0.010) |
| B | 0.35±0.15 (0.014±0.006) |

TERMINALS AND LAYOUT (Top View)



BP0805 Thin Film Band Pass Filter

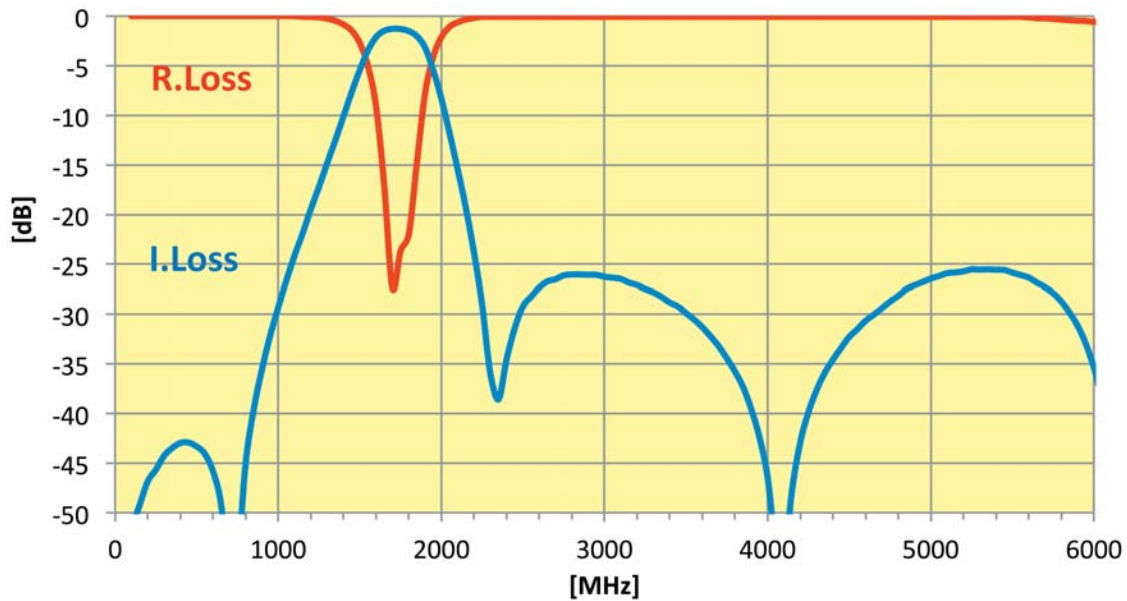


BP0805A1795ASTR

ELECTRICAL CHARACTERISTICS

| Description | Value |
|-----------------------------|-------------------------|
| Center frequency | 1795 MHz |
| Impedance | 50 Ohm |
| Band | 1785-1805MHz |
| I. loss in band | -1.8dB max. |
| Return loss in band | -15dB |
| Rejection in [869~894MHz] | -30dBc min. |
| Rejection in [925~960 MHz] | -30dBc min |
| Rejection in [2300~2400MHz] | -30dBc min |
| rejection in [2496~2690MHz] | -25dBc min , -30dBc typ |
| Rejection in [3400~3600MHz] | -25dBc min , -30dBc typ |
| Rejection in [5150~5925MHz] | -25dBc min , -30dBc typ |
| Power handling (CW) | 5 Watt |
| Operating temperature range | -40/+85°C |
| Package | SMD, standard 0805 size |

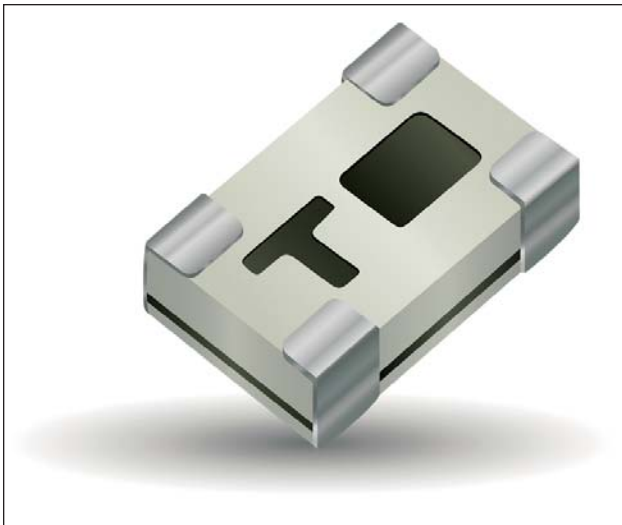
TYPICAL ELECTRICAL PERFORMANCE



BP0805 Thin Film Band Pass Filter



BP0805A2160ASTR



ITF TECHNOLOGY

The BP0805 Band Pass Filter is based on thin-film multilayer technology. The technology provides a miniature part with excellent high frequency performance and rugged construction for reliable automatic assembly.

The ITF Filter is offered in a variety of frequency bands compatible with various types of high frequency wireless systems.

FEATURES

- Small size: 0805
- Frequency: 2160MHz
- Band: 1960-2360MHz
- Characteristic impedance: 50Ω
- Operating / Storage temp: -40°C – +85°C
- Low profile
- Rugged construction
- Taped and reeled
- RoHS compliant

APPLICATIONS

- Mobile communications
- Satellite TV receivers
- GPS
- Vehicle location systems
- Wireless LAN's

HOW TO ORDER

| | | | | | | |
|--------|------|------|-----------------|----------|-------------|----------------|
| BP | 0805 | A | 2160 | A | S | TR |
| Series | Size | Type | Frequency (MHz) | Sub-Type | Termination | Taped & Reeled |

FINAL QUALITY INSPECTION

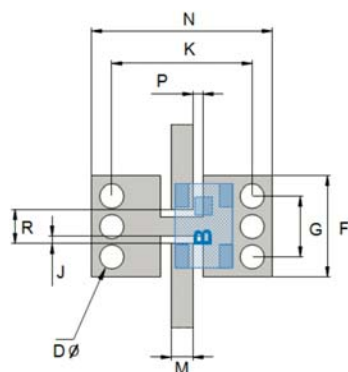
Finished parts are 100% tested for electrical parameters and visual/mechanical characteristics. Each production lot is evaluated on a sample basis for:

- Static Humidity: 85°C, 85% RH, 160 hours
- Endurance: 125°C, IR, 4 hours

TERMINATION

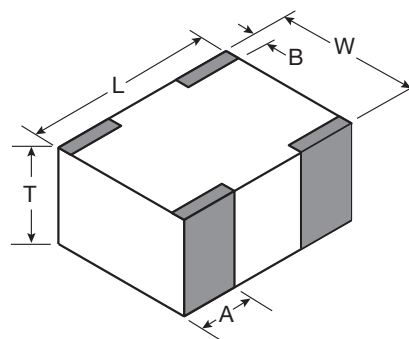
Nickel/ Lead free Solder coating (Sn100) compatible with automatic soldering technologies: reflow, wave soldering, vapor phase and manual.

RECOMMENDED PAD LAYOUT mm



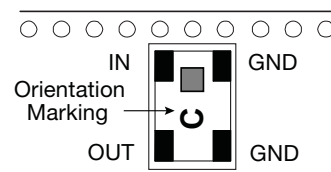
| | |
|---|-----------|
| F | 2.5±0.05 |
| G | 1.5±0.05 |
| J | 0.19±0.05 |
| K | 3.48±0.05 |
| M | 0.54±0.25 |
| N | 4.48±0.05 |
| P | 0.25±0.05 |
| R | 0.85±0.05 |
| D | 0.6±0.05 |

DIMENSIONS (Top View) mm (inches)



| | |
|---|----------------------------|
| L | 2.03±0.1 (0.080±0.004) |
| W | 1.55±0.1 (0.061±0.004) |
| T | 0.80±0.1 (0.032±0.004) |
| A | 0.56±0.25 (0.022±0.010) |
| B | 0.35±0.15 (0.014±0.006) |

TERMINALS AND LAYOUT (Top View)



BP0805 Thin Film Band Pass Filter

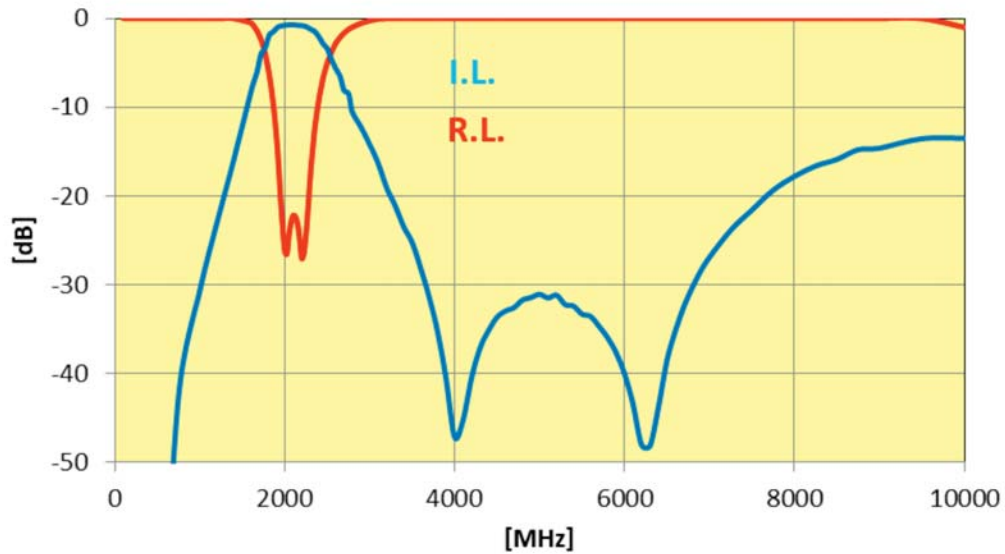


BP0805A2160ASTR

ELECTRICAL CHARACTERISTICS

| Description | Value |
|-----------------------------|-------------------------|
| Center frequency | 2160 MHz |
| Impedance | 50 Ohm |
| Band | 1960-2360MHz |
| I. loss at center frequency | 0.85dB max |
| In-band return loss | 18dB |
| Rejection at 440MHz | 59dB |
| Rejection at 4320MHz | 42dB |
| Rejection at 6480MHz | 38dB |
| Power handling (CW) | 5W |
| Operating temperature range | -40/+85°C |
| Package | SMD, standard 0805 size |

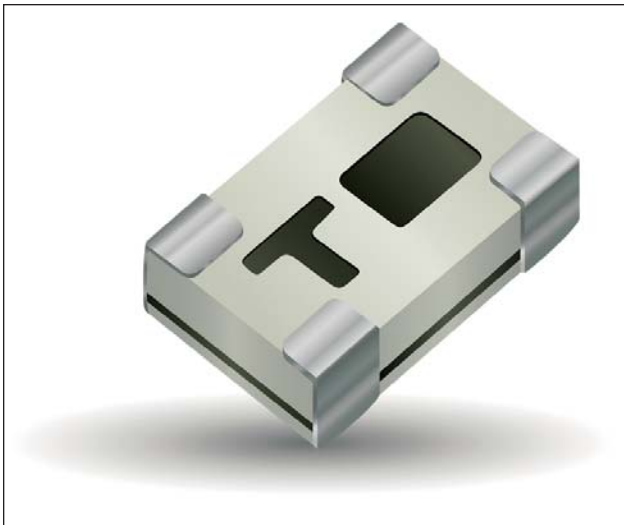
TYPICAL ELECTRICAL PERFORMANCE



BP0805 Thin Film Band Pass Filter



BP0805A4320ASTR



ITF TECHNOLOGY

The BP0805 Band Pass Filter is based on thin-film multilayer technology. The technology provides a miniature part with excellent high frequency performance and rugged construction for reliable automatic assembly.

The ITF Filter is offered in a variety of frequency bands compatible with various types of high frequency wireless systems.

FEATURES

- Small size: 0805
- Frequency: 4320MHz
- Band: 4120-4520MHz
- Characteristic impedance: 50Ω
- Operating / Storage temp: -40°C – +85°C
- Low profile
- Rugged construction
- Taped and reeled
- RoHS compliant

APPLICATIONS

- Mobile communications
- Satellite TV receivers
- GPS
- Vehicle location systems
- Wireless LAN's

HOW TO ORDER

| | | | | | | |
|--------|------|------|-----------------|----------|-------------|----------------|
| BP | 0805 | A | 4320 | A | S | TR |
| Series | Size | Type | Frequency (MHz) | Sub-Type | Termination | Taped & Reeled |

FINAL QUALITY INSPECTION

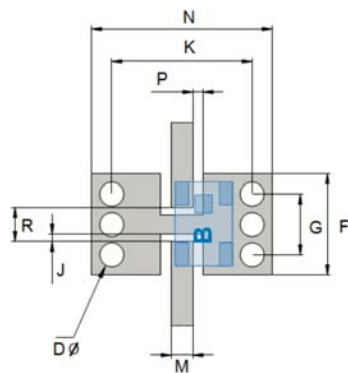
Finished parts are 100% tested for electrical parameters and visual/mechanical characteristics. Each production lot is evaluated on a sample basis for:

- Static Humidity: 85°C, 85% RH, 160 hours
- Endurance: 125°C, IR, 4 hours

TERMINATION

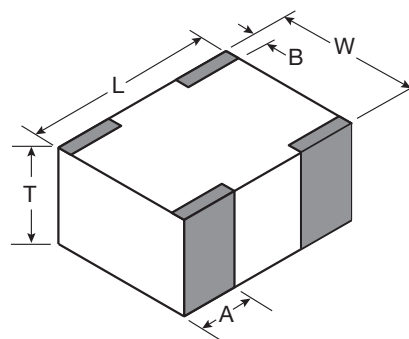
Nickel/ Lead free Solder coating (Sn100) compatible with automatic soldering technologies: reflow, wave soldering, vapor phase and manual.

RECOMMENDED PAD LAYOUT mm



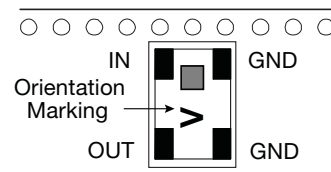
| | |
|---|-----------|
| F | 2.5±0.05 |
| G | 1.5±0.05 |
| J | 0.19±0.05 |
| K | 3.48±0.05 |
| M | 0.54±0.25 |
| N | 4.48±0.05 |
| P | 0.25±0.05 |
| R | 0.85±0.05 |
| D | 0.6±0.05 |

DIMENSIONS (Top View) mm (inches)



| | |
|---|----------------------------|
| L | 2.03±0.1 (0.080±0.004) |
| W | 1.55±0.1 (0.061±0.004) |
| T | 0.80±0.1 (0.032±0.004) |
| A | 0.56±0.25 (0.022±0.010) |
| B | 0.35±0.15 (0.014±0.006) |

TERMINALS AND LAYOUT (Top View)



BP0805 Thin Film Band Pass Filter

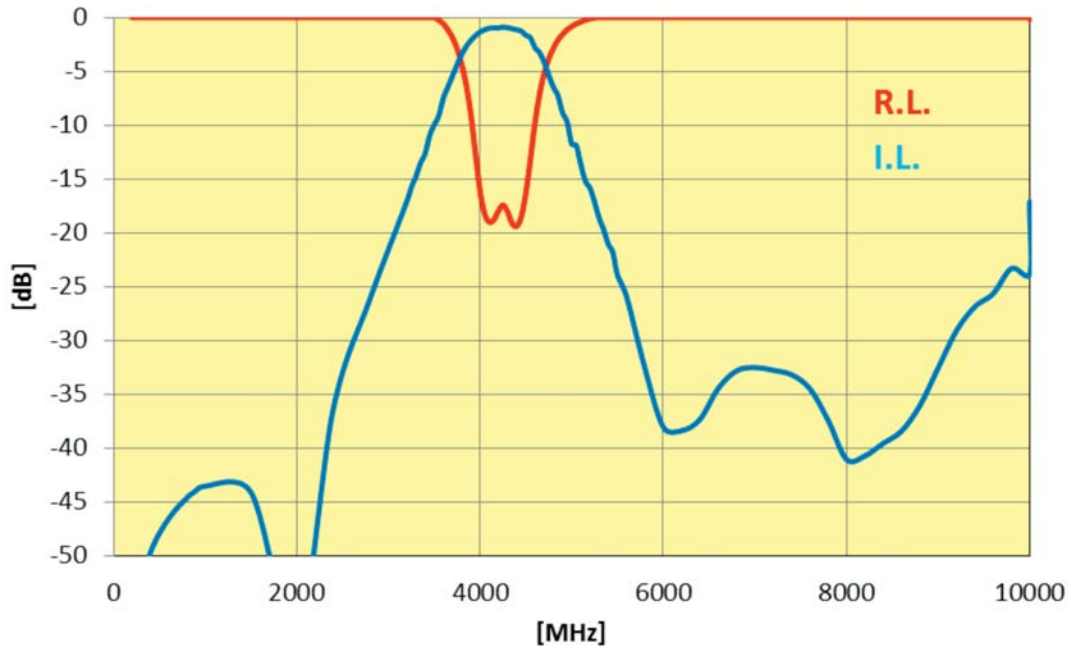


BP0805A4320ASTR

ELECTRICAL CHARACTERISTICS

| Description | Value |
|-----------------------------|--------------------|
| Center frequency | 4320 MHz |
| Impedance | 50 Ohm |
| Band | 4120-4520MHz |
| I. loss at center frequency | 1.2dB max |
| R loss at center frequency | 15dB |
| Rejection at 2160MHz | 45dBc min |
| Rejection at 6480MHz | 39dBc min |
| Rejection at 8640MHz | 44dBc min |
| Power handling (CW) | 5W |
| Operating temperature range | -40/+85°C |
| Package | SMD, standard 0805 |

TYPICAL ELECTRICAL PERFORMANCE



单击下面可查看定价，库存，交付和生命周期等信息

[>>AVX](#)