

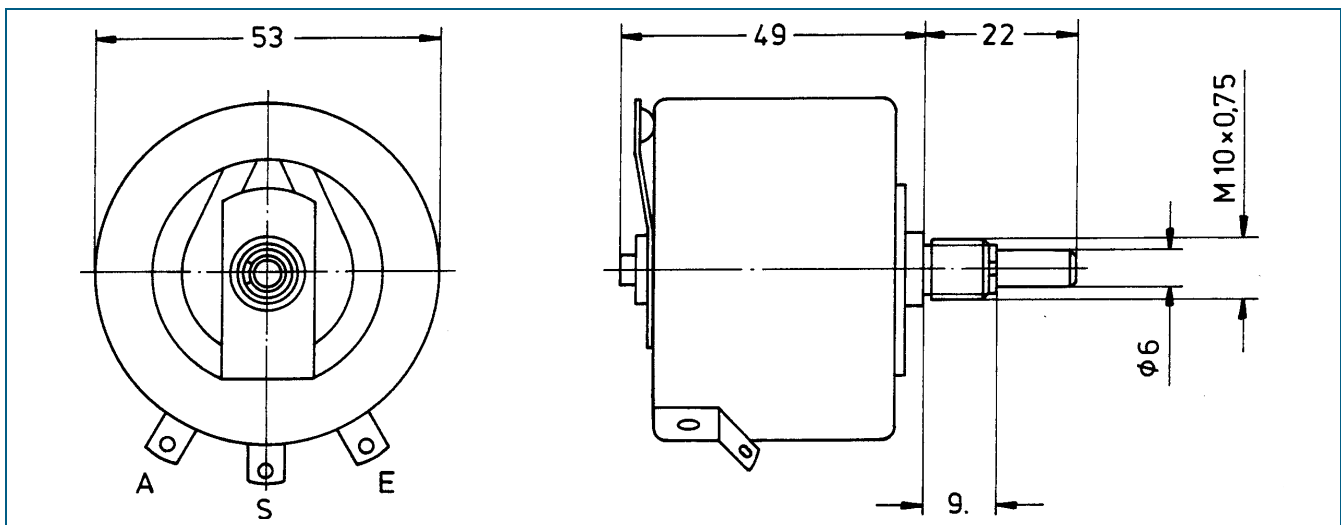
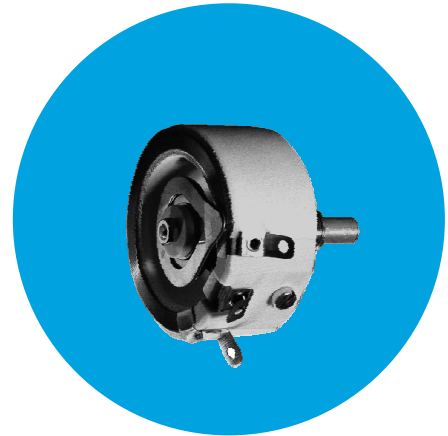
Heavy duty wirewound potentiometers

Series 60 W

Type 60 W

Ordering code no.: 31 212

Basic design: high load, nominal width 53 mm, solder tag terminals



Technical data

Rated resistance range	4.7 Ω - 4.7 k Ω *	Isolation voltage	2000 V eff
Resistance tolerance	$\pm 10\%$, (5%, 2%)	Electrical travel	262°
Law (resistance taper)	lin, lg on request	Mechanical travel	282°
Rated dissipation	60 W / 40 °C	Weight	approx. 160 g / piece

*higher values on request

单击下面可查看定价，库存，交付和生命周期等信息

[>>AVX](#)