

Cermet preset potentiometers

Series 415

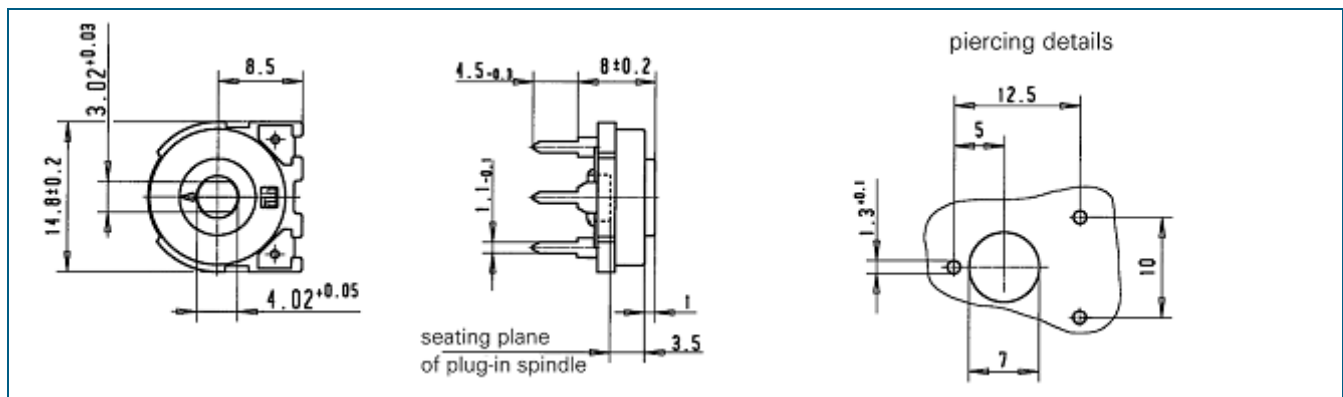
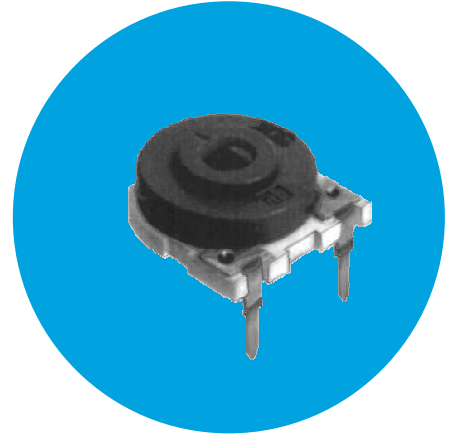
Type HC 414 / 30

Ordering code no.: 20 414

Basic design: encased, double metal wiper

Special versions:

- Snap-in soldering terminals
- Carbon contact wiper
- Cover with scale



Technical data

Rated resistance range	22 Ω - 4.7 MΩ	Temperature range	-40 °C to +90 °C
Resistance tolerance	± 20 % *	Temperature coefficient	± 250 ppm / °C
Law (resistance taper)	lin *	Electrical travel	240° ± 10°
Independent linearity	± 10 % *	Mechanical travel	270° ± 10°
Rated dissipation	1 W / 70 °C (1.5 W / 40 °C)	Operating torque	0.5 - 2.5 Ncm
Limiting element voltage	300 V	End stop torque	≥ 10 Ncm
Durability	200 cycles		

Further adjustment slots for operating spindles on request e. g. square or D-version

*other values on request

单击下面可查看定价，库存，交付和生命周期等信息

[>>AVX](#)