

Medium Power Film Capacitors

FLB (RoHS Compliant)

AC FILTERING



PACKAGING MATERIAL

- Aluminum can with soft PU

STANDARDS

IEC 61071-1, IEC 61071-2: Power electronic capacitors
 IEC 60831: Shunt power capacitors of selfhealing type for ac systems having a rated voltage up to and including 1kv

The FLB series uses metallized polypropylene dielectric, aluminum can, impregnated with soft PU specially treated to have a very high dielectric strength in operating conditions up to 85°C.

The FLB has been designed with overpressure disconnected device. They are suitable for power factor correction and output AC filtering for power converters, UPS systems, solar inverters and motor drives etc.

APPLICATIONS

- The FLB capacitor is particularly designed for AC filtering and power factor correction.

HOT SPOT CALCULATION

See *Hot Spot Temperature*, page 75.

$$\theta_{hot\ spot} = \theta_{ambient} + (P_d + P_t) \times R_{th}$$

with P_d (Dielectric losses) = $Q \times tg\delta_0$
 $Q \times tg\delta_0 \Rightarrow [\frac{1}{2} \times C_n \times (V_{peak\ to\ peak})^2 \times f] \times tg\delta_0$ (tan delta)
 For polypropylene, $tg\delta_0 = 2 \times 10^{-4}$ for frequencies up to 1MHz and is independent of temperatures.
 P_t (Thermal losses) = $R_s \times (I_{rms})^2$
 where C_n in Farad I_{rms} in Ampere f in Hertz
 V in Volt R_s in Ohm θ in °C
 R_{th} in °C/W

WORKING TEMPERATURE

According to the power to be dissipated –
 -40°C to +85°C

LIFETIME EXPECTANCY

One unique feature of this technology (as opposed to aluminum electrolytic) is how the capacitor reacts at the end of its lifetime.

Unlike aluminum electrolytic film capacitors do not have a catastrophic failure mode. Film capacitors simply experience a parametric loss of capacitance of about 5% from initial value, with no risk of short circuit.

The capacitor continues to be functional even after this 5% decrease.

HOW TO ORDER

FLB 	A 	6 	V 	0335 	K 	03
Series	Case	Dielectric	Voltage	Capacitance EIA Code	Tolerances	Terminal Code
	A B C D E F G H J	6 = Polypropylene	A = 230V I = 400V L = 440V J = 525V N = 660V O = 690V	0103 = 0.01µF	J = ±5% K = ±10%	03 = 3 phase

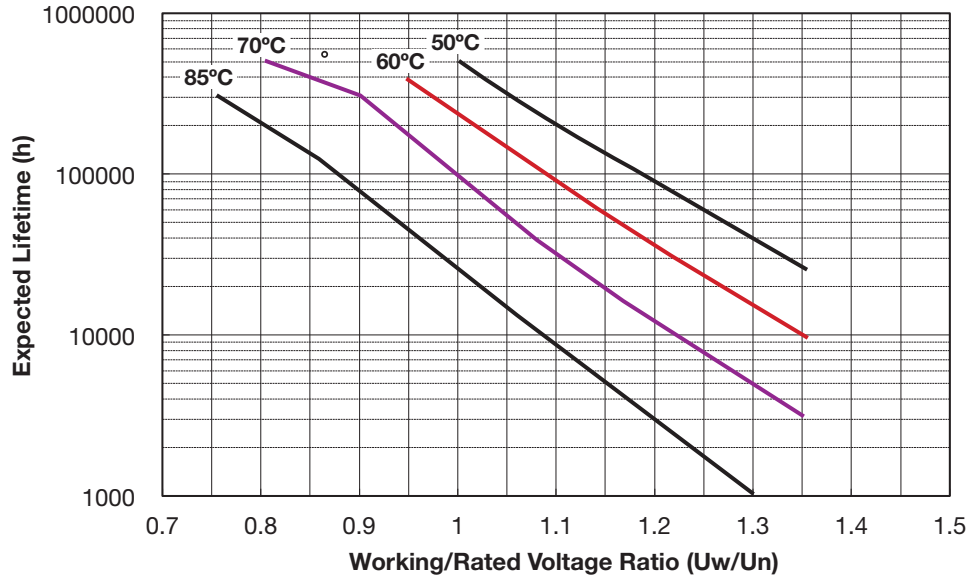
Medium Power Film Capacitors



FLB (RoHS Compliant)

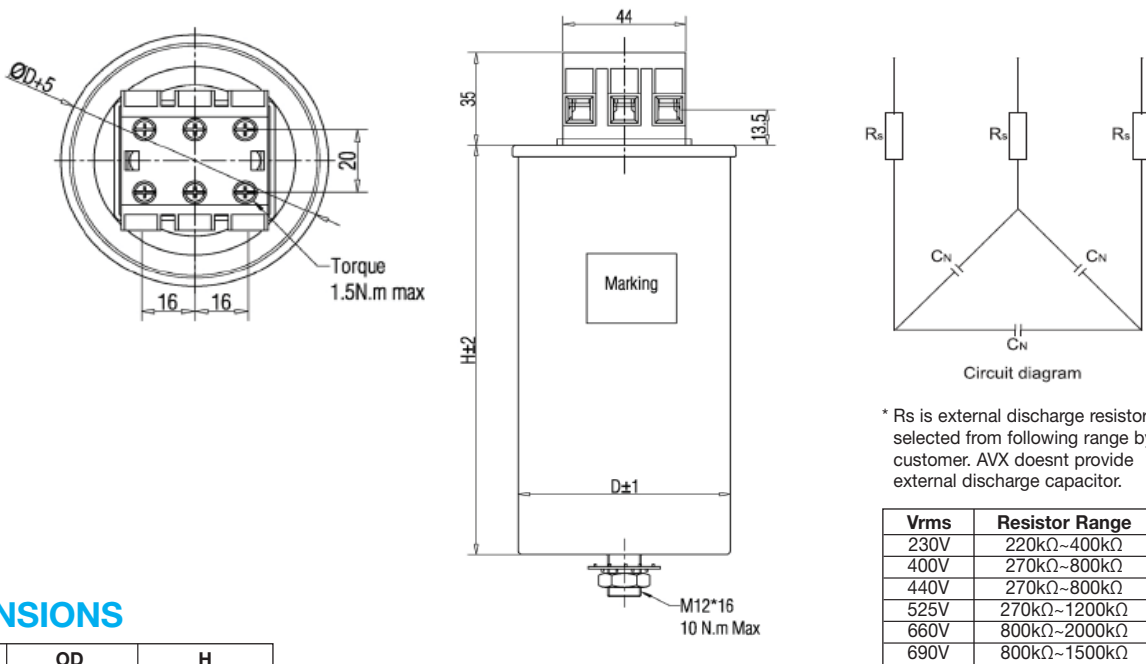
LIFETIME EXPECTANCY VS HOT SPOT TEMPERATURE AND VOLTAGE

Expected Lifetime Curves (FLB Series)



AC FILTERING

GENERAL DESCRIPTION



DIMENSIONS

AVX Case Ref	OD (mm)	H (mm)
A	85	200
B	85	265
C	85	350
D	116	160
E	116	200
F	116	230
G	116	265
H	136	200
J	136	230



Medium Power Film Capacitors



FLB (RoHS Compliant)

ELECTRICAL CHARACTERISTICS

Climatic category	-40/D (IEC 60068)
Test voltage between terminals @ 25°C	2.15 x V _{rms}
Capacitance range C _n	3*20.3µF to 3*335µF
Capacitance Tolerances:	±5%, ±10%
Rated AC Voltage:	V _{rms} 230V to 690V
Dielectric:	Polypropylene
Lifetime (ΔC/C ≤ 5%):	100,000hrs @ U _r & 70°C

RATINGS AND PART NUMBER REFERENCE – POLYPROPYLENE DIELECTRIC

Cap (µF)	Rated Voltage (V)	AVX Part No.	Case Code	Diameter ±2 (mm)	H ±2 (mm)	Output (kvar)	I rms (A)	V/µs (Volt/sec)	I Peak (A)	Box Qty (mm)	Dimension
V_{rms} = 230V Voltage Code: A											
3 x 200.6	230	FLBB6A0207K03	B	85.0	265.0	10.0	25.1	37.0	7530	8	375*285*365
3 x 200.6	230	FLBD6A0207K03	D	116.0	160.0	10.0	25.1	37.0	7530	5	375*285*235
3 x 250.7	230	FLBC6A0257K03	C	85.0	350.0	12.5	31.4	37.0	9420	8	375*285*435
3 x 250.7	230	FLBE6A0257K03	E	116.0	200.0	12.5	31.4	37.0	9420	5	375*285*365
3 x 300.9	230	FLBC6A0307K03	C	85.0	350.0	15.0	37.7	37.0	11310	8	375*285*435
3 x 300.9	230	FLBE6A0307K03	E	116.0	200.0	15.0	37.7	37.0	11310	5	375*285*365
3 x 335.0	230	FLBF6A3356K03	F	116.0	230.0	16.7	41.9	37.0	12570	5	375*285*365
V_{rms} = 400V Voltage Code: I											
3 x 66.3	400	FLBA6I0666K03	A	85.0	200.0	10.0	14.4	65.0	4320	8	375*285*365
3 x 82.9	400	FLBA6I0826K03	A	85.0	200.0	12.5	18.0	65.0	5400	8	375*285*365
3 x 99.5	400	FLBA6I0996K03	A	85.0	200.0	15.0	21.6	65.0	6480	8	375*285*365
3 x 110.7	400	FLBB6I0117K03	B	85.0	265.0	16.7	24.1	65.0	7230	8	375*285*365
3 x 110.7	400	FLBD6I0117K03	D	116.0	160.0	16.7	24.1	65.0	7230	5	375*285*235
3 x 132.6	400	FLBB6I1326K03	B	85.0	265.0	20.0	28.8	65.0	8640	8	375*285*365
3 x 132.6	400	FLBD6I1326K03	D	116.0	160.0	20.0	28.8	65.0	8640	5	375*285*235
3 x 165.8	400	FLBB6I1656K03	B	85.0	265.0	25.0	36.1	65.0	10830	8	375*285*365
3 x 165.8	400	FLBE6I1656K03	E	116.0	200.0	25.0	36.1	65.0	10830	5	375*285*365
3 x 198.9	400	FLBH6I1986K03	H	136.0	200.0	30.0	43.3	65.0	12990	4	375*285*365
V_{rms} = 440V Voltage Code: L											
3 x 68.5	440	FLBA6L0686K03	A	85.0	200.0	12.5	16.4	72.0	4920	8	375*285*365
3 x 77.0	440	FLBA6L0776K03	A	85.0	200.0	14.1	18.5	72.0	5550	8	375*285*365
3 x 77.0	440	FLBD6L0776K03	D	116.0	160.0	14.1	18.5	72.0	5550	5	375*285*235
3 x 82.2	440	FLBA6L0826K03	A	85.0	200.0	15.0	19.7	72.0	5910	8	375*285*365
3 x 92.6	440	FLBA6L0926K03	A	85.0	200.0	16.9	22.2	72.0	6660	8	375*285*365
3 x 103.0	440	FLBB6L1036K03	B	85.0	265.0	18.8	24.7	72.0	7410	8	375*285*365
3 x 103.0	440	FLBD6L1036K03	D	116.0	160.0	18.8	24.7	72.0	7410	5	375*285*235
3 x 109.0	440	FLBB6L1096K03	B	85.0	265.0	20.0	26.2	72.0	7860	8	375*285*365
3 x 109.0	440	FLBD6L1096K03	D	116.0	160.0	20.0	26.2	72.0	7860	5	375*285*235
3 x 123.3	440	FLBB6L1236K03	B	85.0	265.0	22.5	29.5	72.0	8850	8	375*285*365
3 x 123.3	440	FLBD6L1236K03	D	116.0	160.0	22.5	29.5	72.0	8850	5	375*285*235
3 x 137.0	440	FLBB6L1376K03	B	85.0	265.0	25.0	32.8	72.0	9840	8	375*285*365
3 x 137.0	440	FLBE6L1376K03	E	116.0	200.0	25.0	32.8	72.0	9840	5	375*285*365
3 x 154.0	440	FLBB6L1546K03	B	85.0	265.0	28.1	36.9	72.0	11070	8	375*285*365
3 x 154.0	440	FLBE6L1546K03	E	116.0	200.0	28.1	36.9	72.0	11070	5	375*285*365
3 x 164.4	440	FLBC6L1646K03	C	85.0	350.0	30.0	39.4	72.0	11820	8	375*285*435
3 x 164.4	440	FLBE6L1646K03	E	116.0	200.0	30.0	39.4	72.0	11820	5	375*285*365
3 x 180.9	440	FLBH6L1806K03	H	136.0	200.0	33.0	43.3	72.0	12990	2	375*285*365

* Insert K for 10% capacitance tolerance (standard); J (+5%) and M (+20%) tolerances available on request.
 Values outside this standard range may be available – please contact AVX for any special requirements.
 AVX reserves the right to supply capacitors to a tighter capacitance tolerance or higher voltage rating, in the same case size.

AC FILTERING



Medium Power Film Capacitors



FLB (RoHS Compliant)

Cap (µF)	Rated Voltage (V)	AVX Part No.	Case Code	Diameter ±2 (mm)	H ±2 (mm)	Output (kvar)	I rms (A)	V/µs (Volt/sec)	I Peak (A)	Packaging Method	
V_{rms} = 525V Voltage Code: J										Box Qty (mm)	Dimension
3 x 38.5	525	FLBA6J0386K03	A	85.0	200.0	10	11.0	86.0	3300	8	375*285*365
3 x 48.1	525	FLBA6J0486K03	A	85.0	200.0	12.5	13.7	86.0	4110	8	375*285*365
3 x 53.1	525	FLBA6J0536K03	A	85.0	200.0	13.8	15.2	86.0	4560	8	375*285*365
3 x 57.7	525	FLBA6J0576K03	A	85.0	200.0	15.0	16.5	86.0	4950	8	375*285*365
3 x 77.0	525	FLBB6J0776K03	B	85.0	265.0	20.0	22.0	86.0	6600	8	375*285*365
3 x 77.0	525	FLBD6J0776K03	D	116.0	160.0	20.0	22.0	86.0	6600	5	375*285*235
3 x 96.2	525	FLBB6J0966K03	B	85.0	265.0	25.0	27.5	86.0	8250	8	375*285*365
3 x 96.2	525	FLBE6J0966K03	E	116.0	200.0	25.0	27.5	86.0	8250	5	375*285*365
3 x 115.4	525	FLBF6J1156K03	F	116.0	230.0	30.0	33.0	86.0	9900	5	375*285*365
3 x 115.4	525	FLBH6J1156K03	H	136.0	200.0	30.0	33.0	86.0	9900	2	375*285*365
3 x 138.2	525	FLBG6J1386K03	G	116.0	265.0	35.9	39.5	86.0	11850	5	375*285*365
3 x 138.2	525	FLBJ6J1386K03	J	136.0	230.0	35.9	39.5	86.0	11850	2	375*285*365
3 x 142.8	525	FLBG6J1426K03	G	116.0	265.0	37.1	40.8	86.0	12240	5	375*285*365
3 x 142.8	525	FLBJ6J1426K03	J	136.0	230.0	37.1	40.8	86.0	12240	2	375*285*365
V_{rms} = 660V Voltage Code: N											
3 x 20.3	660	FLBA6N0206K03	A	85.0	200.0	8.33	7.3	108.0	2190	8	375*285*365
3 x 24.4	660	FLBA6N0246K03	A	85.0	200.0	10.0	8.7	108.0	2610	8	375*285*365
3 x 30.4	660	FLBB6N0306K03	B	85.0	265.0	12.5	10.9	108.0	3270	8	375*285*365
3 x 36.5	660	FLBB6N0366K03	B	85.0	265.0	15.0	13.1	108.0	3930	8	375*285*365
3 x 40.7	660	FLBB6N0406K03	B	85.0	265.0	16.7	14.6	108.0	4380	8	375*285*365
3 x 48.7	660	FLBC6N0486K03	C	85.0	350.0	20.0	17.5	108.0	5250	8	375*285*435
3 x 55.8	660	FLBC6N0556K03	C	85.0	350.0	22.9	20.0	108.0	6000	8	375*285*435
V_{rms} = 690V Voltage Code: O											
3 x 27.9	690	FLBB6O0276K03	B	85.0	265.0	12.5	10.5	112.0	3150	8	375*285*365
3 x 33.4	690	FLBB6O0336K03	B	85.0	265.0	15.0	12.5	112.0	3750	8	375*285*365
3 x 44.6	690	FLBC6O0446K03	C	85.0	350.0	20.0	16.7	112.0	5010	8	375*285*435
3 x 55.7	690	FLBC6O0556K03	C	85.0	350.0	25.0	20.9	112.0	6270	8	375*285*435

* Insert K for 10% capacitance tolerance (standard); J (+5%) and M (+20%) tolerances available on request.
 Values outside this standard range may be available – please contact AVX for any special requirements.
 AVX reserves the right to supply capacitors to a tighter capacitance tolerance or higher voltage rating, in the same case size.

AC FILTERING



单击下面可查看定价，库存，交付和生命周期等信息

[>>AVX](#)