

Reduced Battery 2.5mm Pitch

9155-200



The newest product in AVX's Interconnect family of battery connectors saves 50% in volume over the initial 9155 series compression connectors as illustrated in the photograph. These connectors are rated at a full 3 amps per contact on 2.5mm centers. Sizes range from 2 positions through 5 positions and are end to end stackable.

APPLICATIONS

- Cellular Phones
- Handheld Devices
- Industrial Modules
- Medical Electronics

FEATURES AND BENEFITS

- 2.4mm insulator height
- 3 amps/contact
- Large SMT mounting area for positive mechanical attachment
- 5k mating cycles
- End-to-end stackable

ELECTRICAL

- Current Rating: 3 Amp / Contact
- Voltage Rating: 125 VAC

ENVIRONMENTAL

- Operating Temperature: -40°C to +125°C

MECHANICAL

- Insulator Material: Glass-Filled Nylon 46; UL94 HB
- Contact Material: Beryllium Copper
- Plating: Gold over Nickel
- Durability: 5000 Cycles

HOW TO ORDER

00

Prefix

9155

Series

00X

No. of Ways

- 2 = 002
- 3 = 003
- 4 = 004
- 5 = 005

201

Reduced Size Battery Connector

Code	Description
201	Reduced Size Battery Connector

00X

Plating Option

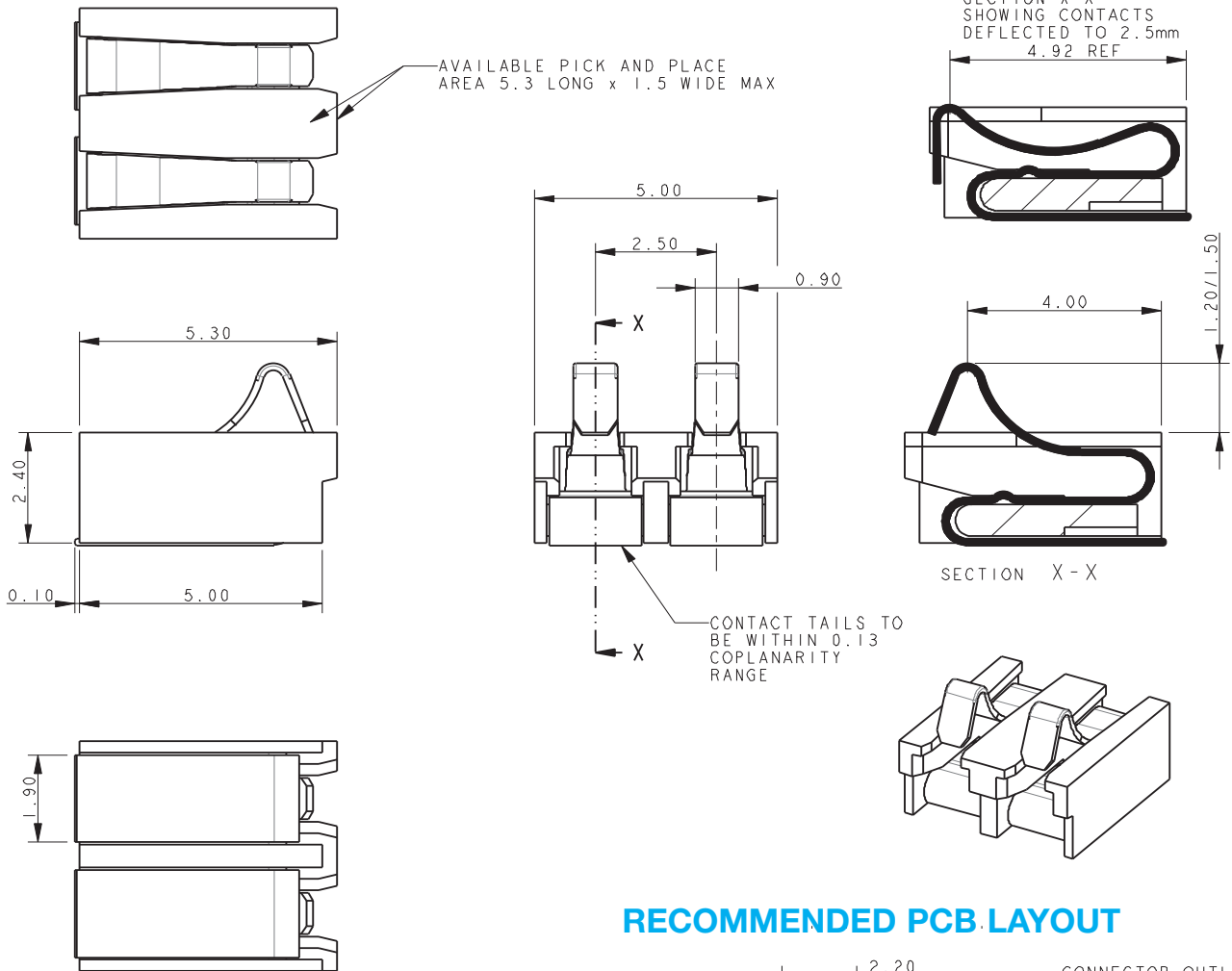
Code	Description
006	0.4µm Selective Gold, Standard
008	0.8µm Selective Gold, Special Order



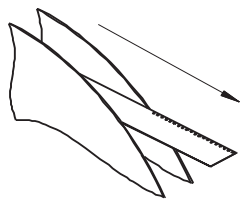
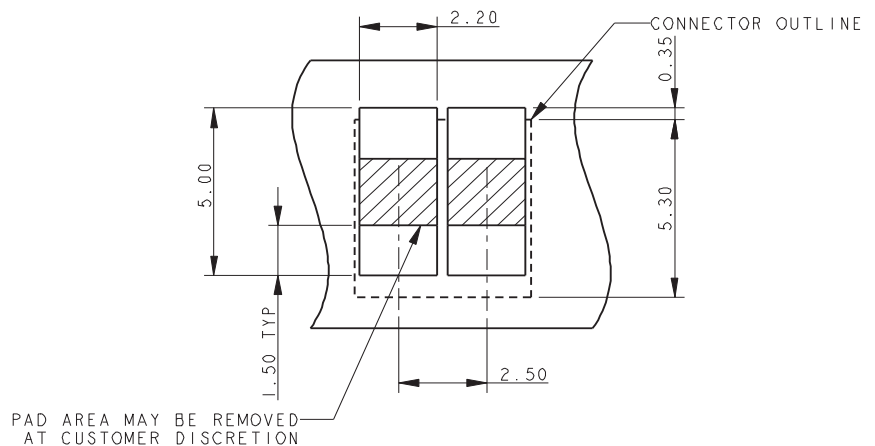
Reduced Battery 2.5mm Pitch

9155-200

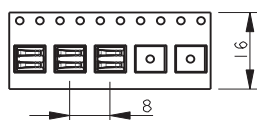
2 WAY REDUCED SIZE BATTERY CONNECTOR



RECOMMENDED PCB LAYOUT



PACKING ORIENTATION



PACKING DETAILS

REEL QTY	2000
LEADER	500MM
TRAILER	500MM

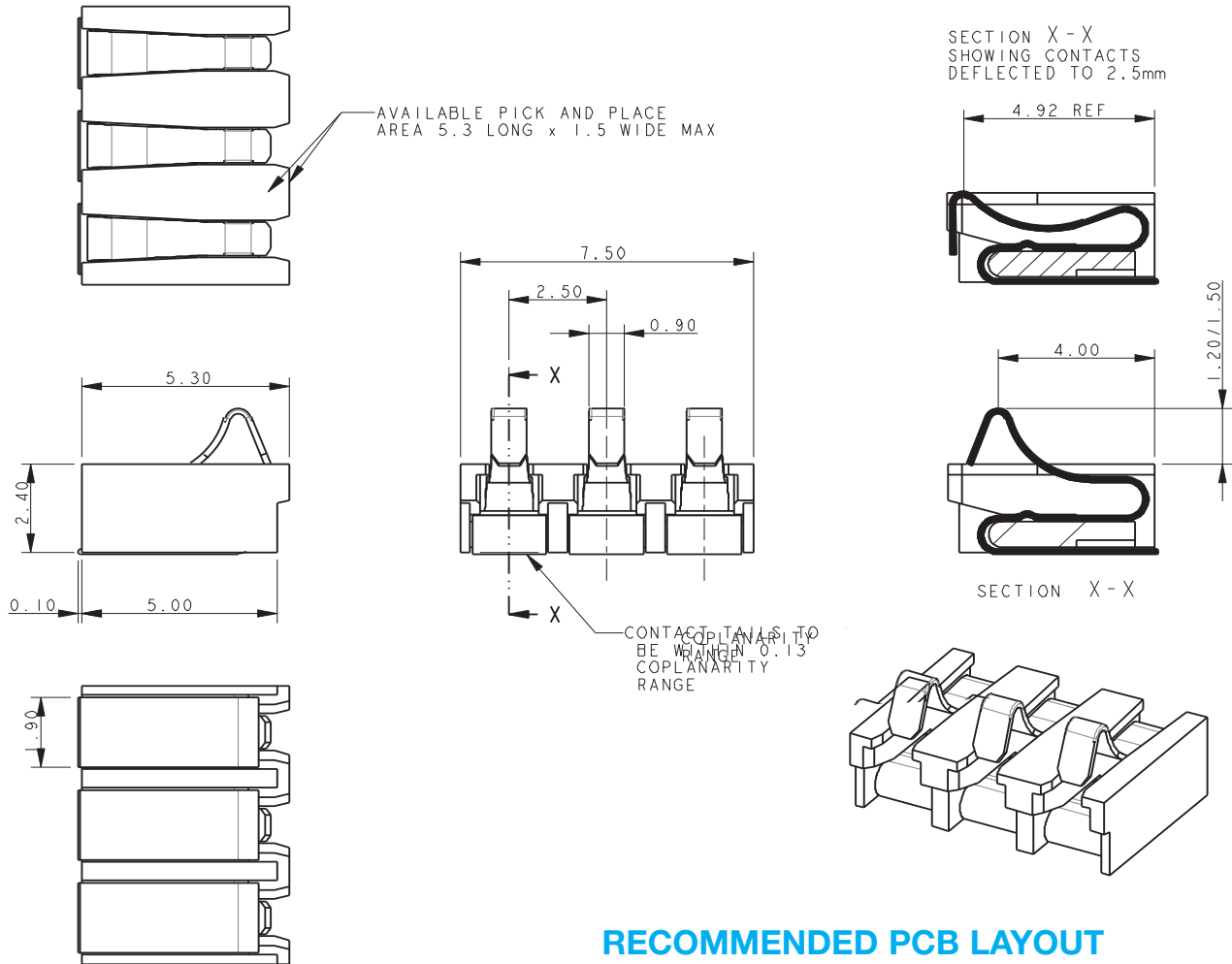
NOTES:

1. FOR FULL PRODUCT SPECIFICATION REFER TO ELCO SPECIFICATION 201-01-093.
2. FOR MATING PAD DETAILS REFER TO PAGE 6.
3. GENERAL TOLERANCE ± 0.20 .
4. INSULATOR MATERIAL: 30% GLASS FILLED NYLON 46, UL94 HB, COLOR BLACK.
5. CONTACT MATERIAL: BERYLLIUM COPPER.
6. CONTACT PLATING: SELECTIVE GOLD OVER NICKEL. PURE TIN ON TAILS.

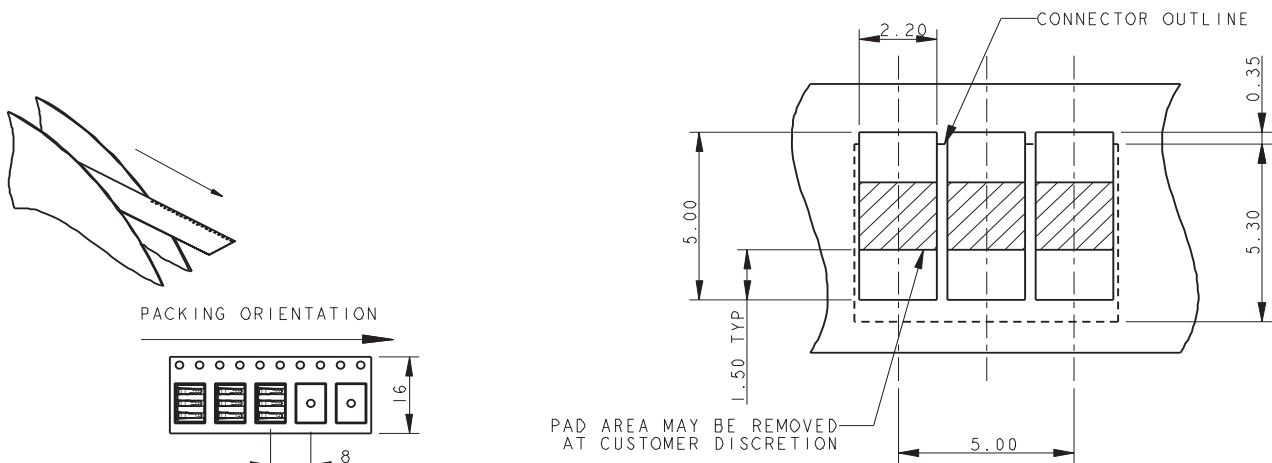
Reduced Battery 2.5mm Pitch

9155-200

3 WAY REDUCED SIZE BATTERY CONNECTOR



RECOMMENDED PCB LAYOUT



PACKING DETAILS

REEL QTY	2000
LEADER	500MM
TRAILER	500MM

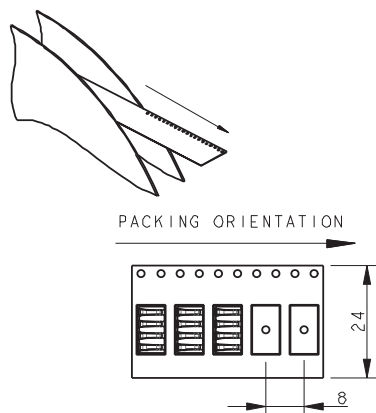
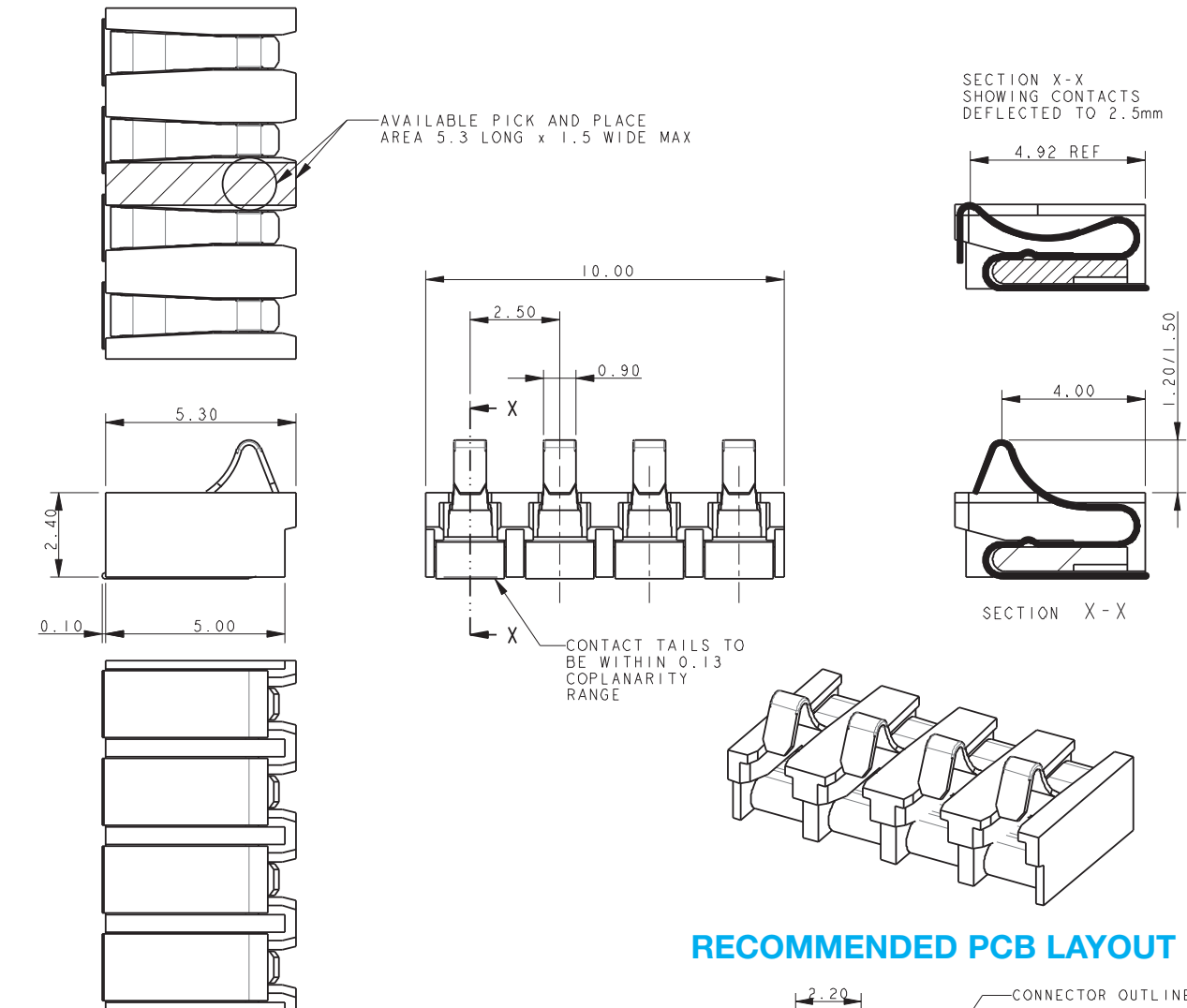
NOTES:

1. FOR FULL PRODUCT SPECIFICATION REFER TO ELCO SPECIFICATION 201-01-093.
2. FOR MATING PAD DETAILS REFER TO PAGE 6.
3. GENERAL TOLERANCE ± 0.20 .
4. INSULATOR MATERIAL: 30% GLASS FILLED NYLON 46, UL94 HB, COLOR BLACK.
5. CONTACT MATERIAL: BERYLLIUM COPPER.
6. CONTACT PLATING: SELECTIVE GOLD OVER NICKEL. PURE TIN ON TAILS.

Reduced Battery 2.5mm Pitch

9155-200

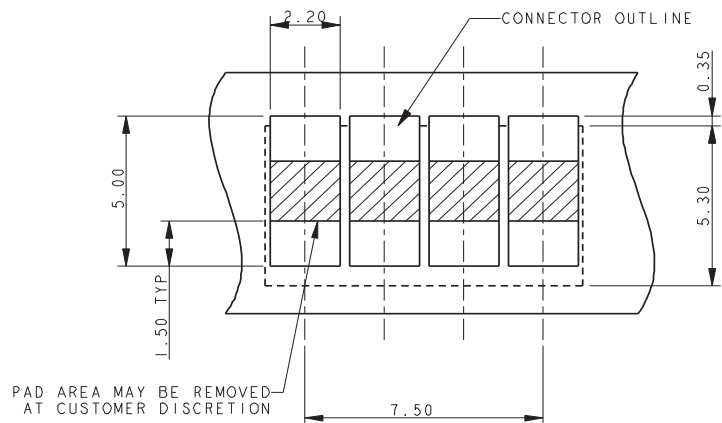
4 WAY REDUCED SIZE BATTERY CONNECTOR



PACKING DETAILS

REEL QTY	2000
LEADER	500MM
TRAILER	500MM

RECOMMENDED PCB LAYOUT



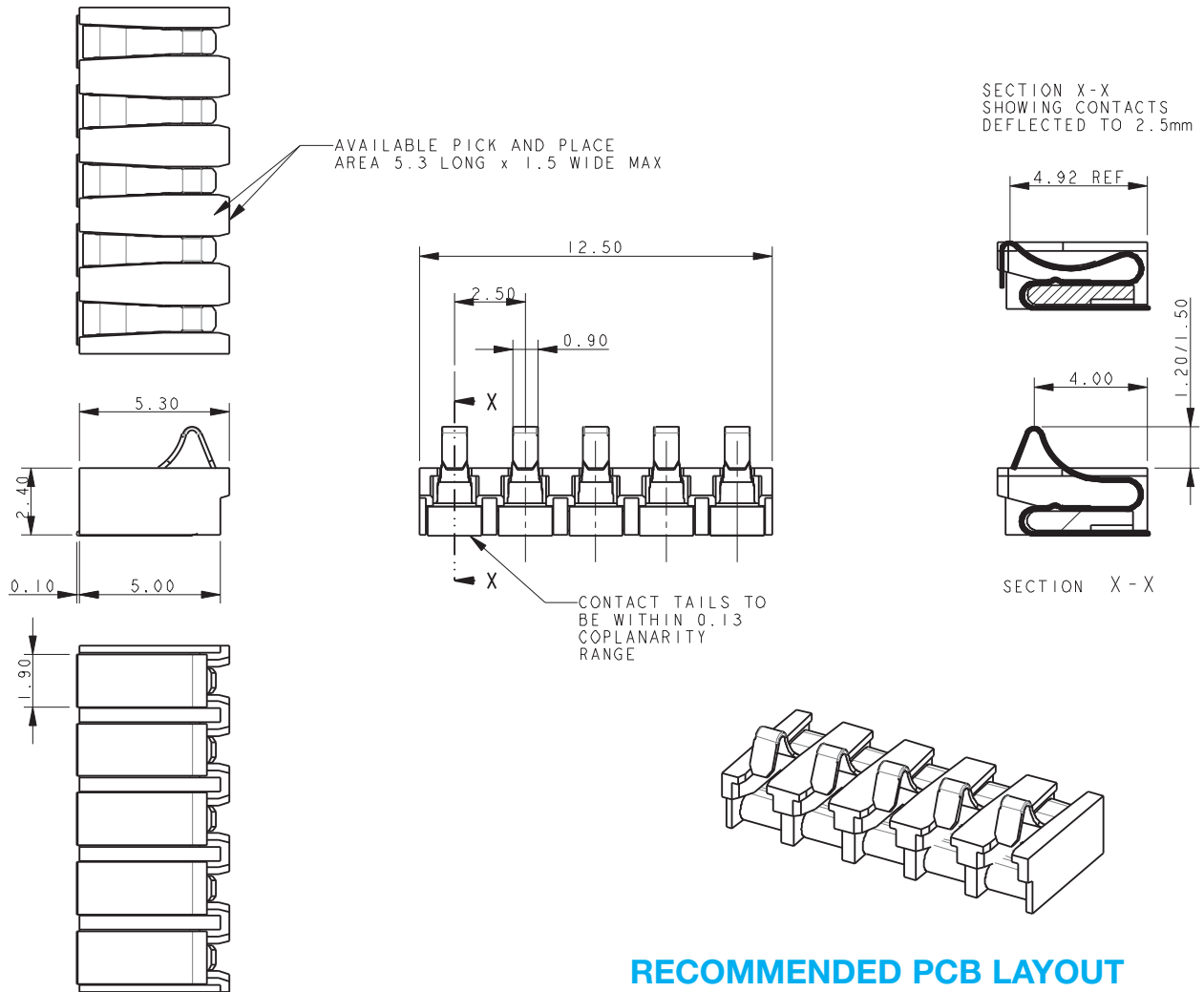
NOTES:

1. FOR FULL PRODUCT SPECIFICATION REFER TO ELCO SPECIFICATION 201-01-093.
2. FOR MATING PAD DETAILS REFER TO PAGE 6.
3. GENERAL TOLERANCE ± 0.20 .
4. INSULATOR MATERIAL: 30% GLASS FILLED NYLON 46, UL94 HB, COLOR BLACK.
5. CONTACT MATERIAL: BERYLLIUM COPPER.
6. CONTACT PLATING: SELECTIVE GOLD OVER NICKEL. PURE TIN ON TAILS.

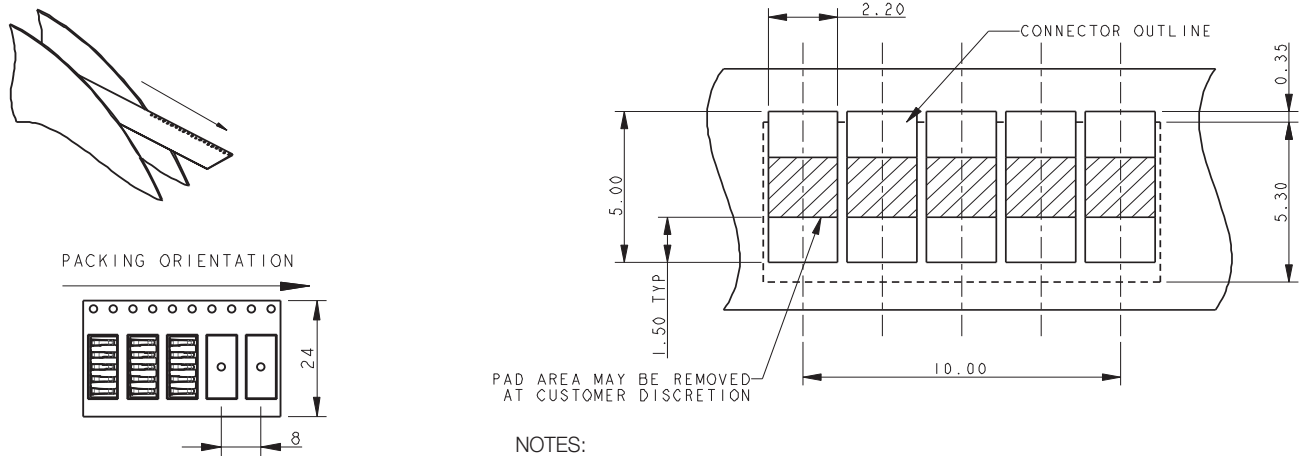
Reduced Battery 2.5mm Pitch

9155-200

5 WAY REDUCED SIZE BATTERY CONNECTOR



RECOMMENDED PCB LAYOUT

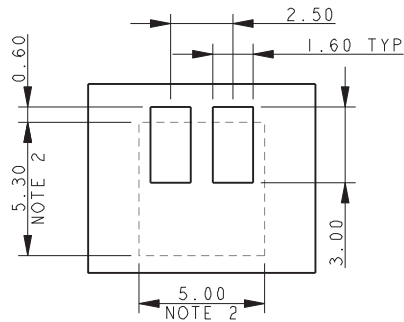


PACKING DETAILS

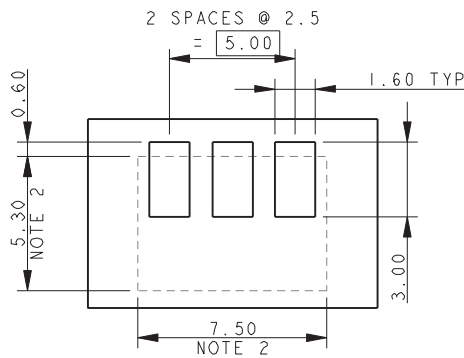
REEL QTY	2000
LEADER	500MM
TRAILER	500MM

- NOTES:
1. FOR FULL PRODUCT SPECIFICATION REFER TO ELCO SPECIFICATION 201-01-093.
 2. FOR MATING PAD DETAILS REFER TO PAGE 6.
 3. GENERAL TOLERANCE ± 0.20 .
 4. INSULATOR MATERIAL: 30% GLASS FILLED NYLON 46, UL94 HB, COLOR BLACK.
 5. CONTACT MATERIAL: BERYLLIUM COPPER.
 6. CONTACT PLATING: SELECTIVE GOLD OVER NICKEL. PURE TIN ON TAILS.

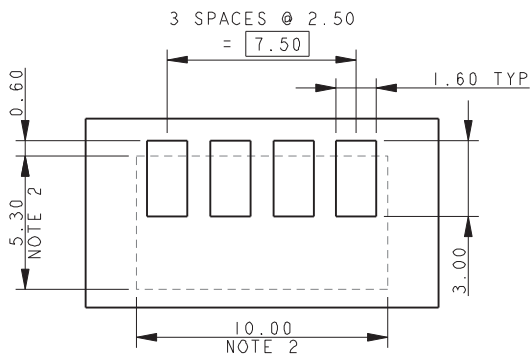
REDUCED SIZE BATTERY CONNECTOR – MATING PADS



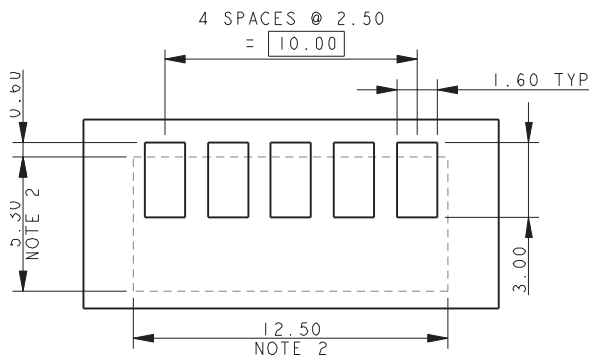
2 WAY MATING PADS



3 WAY MATING PADS



4 WAY MATING PADS



5 WAY MATING PADS

NOTES:

1. SUGGESTED MATING PADS FOR REDUCED SIZE BATTERY CONNECTORS.
2. OUTLINE OF CONNECTOR.
3. PREFERRED PLATING ON PADS GOLD OVER NICKEL.
4. REFERENCE DIMENSIONS.

单击下面可查看定价，库存，交付和生命周期等信息

[>>AVX](#)