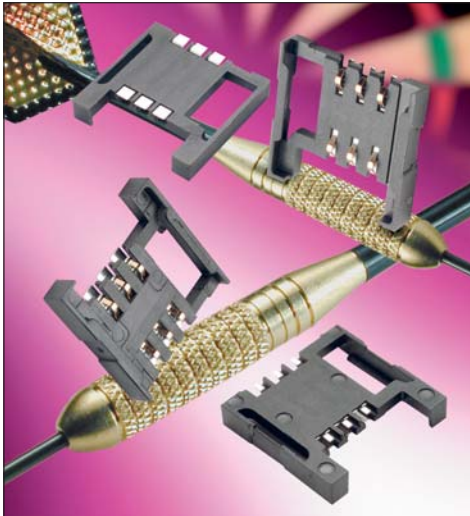


# Slide-In SIM

9162-200



The standard SIM connector is specifically designed for handheld devices requiring secure subscriber identification.

Following on from the introduction of our standard SIM block with an offering of 3 standard heights, 0.80mm, 1.60mm, or 2.40mm, AVX is now adding another standard to the 9162 series SIM connectors, the slide-in SIM.

Unlike SIM blocks which require SIM card guides to aid insertion, removal and retention of the SIM card, the slide-in SIM has guides as part of the connector mold design.

Contacts are stamped, gold plated, rated 0.5A, and 5000 mechanical cycles.

Our contact design is specifically rounded to avoid any possible damage during and after card insertion to the card itself, assuming normal use. The design also incorporates protection features to avoid contact damage during this operation such as contact snagging.

Please contact the appropriate sales office for further details of this service.

## APPLICATIONS

- Cellular Phones
- Radios

## FEATURES AND BENEFITS

- Produced for use with mini SIM cards.
- The insulator is molded from high temperature plastic enabling the connector to be used in convection or infrared soldering processes.
- Supplied on tape and reel packaging for pick and place assembly.
- The all plastic design, assuming normal use prevents damage to the SIM card on insertion.
- Optional SMT contact size:
  - Standard SMT contact size – 1.60mm x 1.60mm
  - Narrow SMT contact size – 1.05mm x 0.60mm
- RoHS Compliant available.

## ELECTRICAL

- Current Rating: 0.5 Amp / Contact
- Voltage Rating: 50 VAC

## ENVIRONMENTAL

- Operating Temperature: -55°C to +105°C

## MECHANICAL

- Insulator Material: Nylon 46 UL94HB
- Contact Material: Phosphor Bronze
- Plating: Gold over Nickel
- Durability: 5,000 Cycles

## HOW TO ORDER

**00**  
Prefix

**9162**  
Series

**006**  
Number of  
Contacts

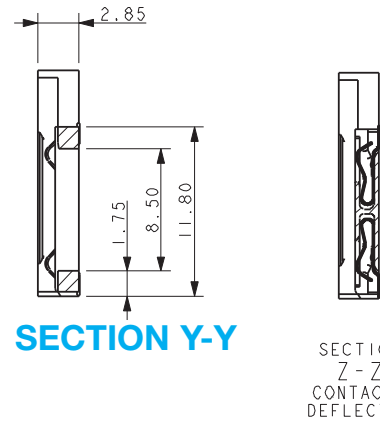
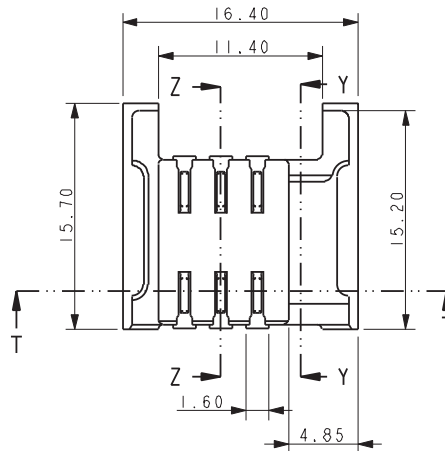
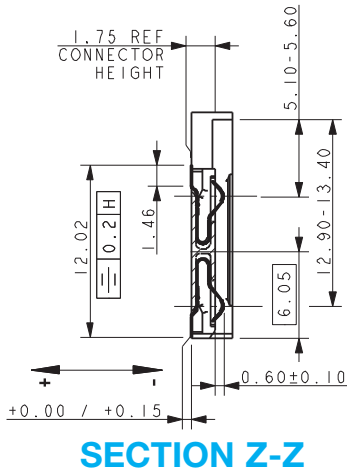
**2X**  
SIM Type  
20 = Standard SMT Foot  
Slide-in SIM Reader  
21 = Narrow SMT Foot  
Slide-in SIM Reader

**6**  
Plating Option  
6 = Selective Gold  
Pure Tin Tails

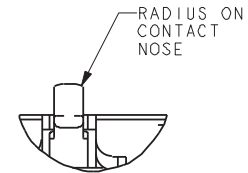
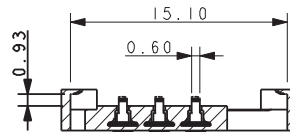
**175**  
Connector Height  
175 = 1.750mm  
See pages 2 & 3



### WIDE SMT FOOT VERSION



CONTACT TAILS WITHIN 0.10mm COPLANARITY TOLERANCE SINGLE ROW

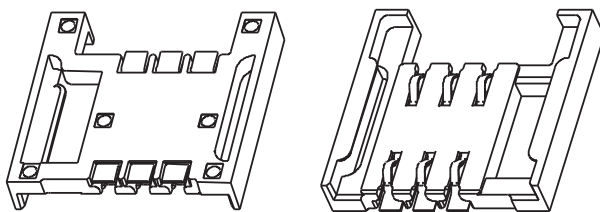
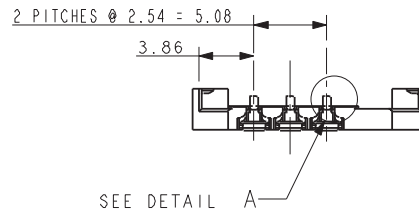


### DETAIL A

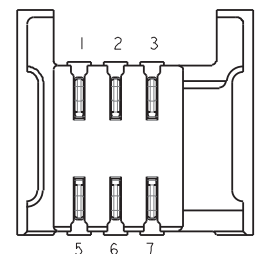
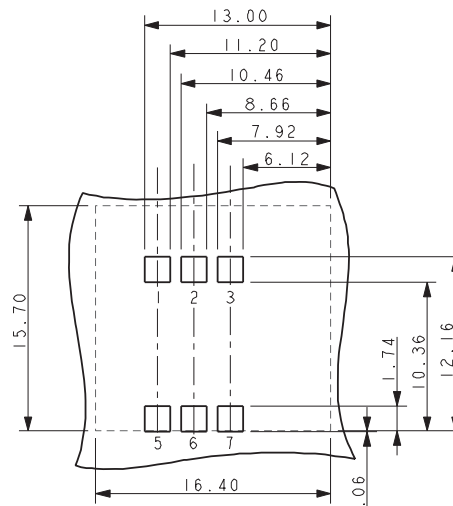
CONTACT FUNCTIONS (ISO78161):

1. SSUPPLY VOLTAGE Vcc.
2. RESET
3. CLOCK
4. GROUND
5. PROGRAM VOLTAGE Vpp.
6. I/O

### PART SECTION Z-Z ROTATED THRO 90°



### PAD LAYOUT

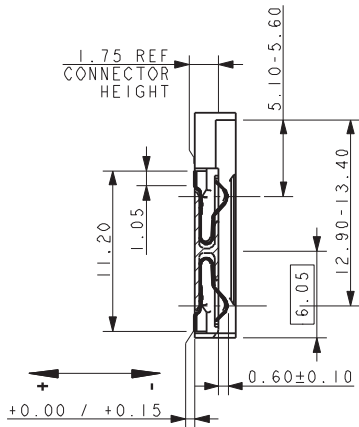


SIM ORIENTATION

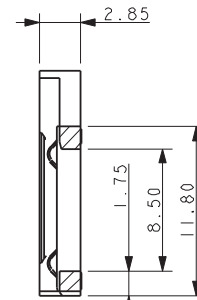
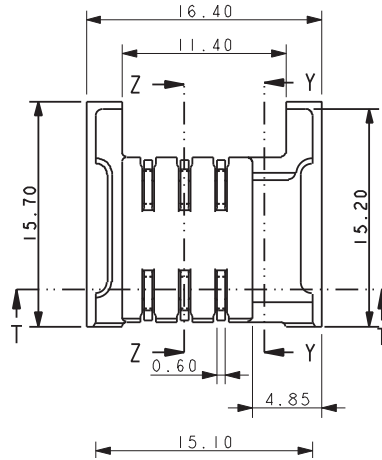
#### NOTES:

1. SALES DRAWING FOR SLIDE IN SIM READER.
2. FOR PRODUCT SPECIFICATION REFER TO ELCO SPEC. 201-01-085.
3. GENERAL TOLERANCE  $\pm 0.20$  UNLESS OTHERWISE STATED.
4. INSULATOR MATERIAL: NYLON GLASS FILLED.
5. CONTACT MATERIAL COPPER ALLOY: SIM CONTACTS NOSE PLATED WITH GOLD, SMT PADS PLATED WITH PURE TIN.
6. PACKING DETAILS SEE PAGE 4.

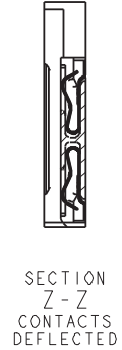
### NARROW SMT FOOT VERSION



**SECTION Z-Z**

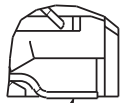


**SECTION Y-Y**



SECTION Z-Z  
CONTACTS  
DEFLECTED

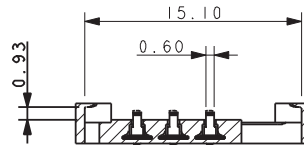
DEFLECT



CONTACT TAILS  
WITHIN 0.10mm  
COPLANARITY  
TOLERANCE  
SINGLE ROW

PART SECTION Z-Z  
ROTATED THRO' 90°

### PART SECTION Z-Z ROTATED THRO' 90°

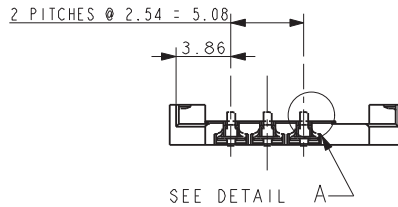


**SECTION T-T**

RADIUS ON  
CONTACT NOSE

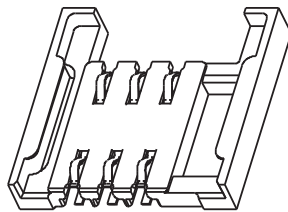
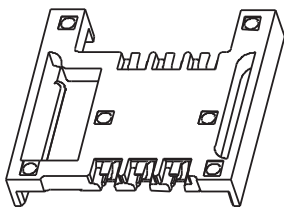


**DETAIL A**

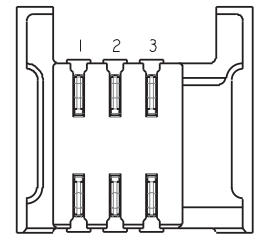
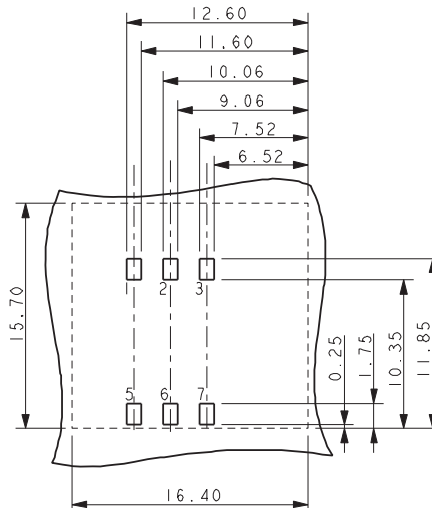


CONTACT FUNCTIONS (ISO78161):

1. SSUPPLY VOLTAGE Vcc.
2. RESET
3. CLOCK
4. GROUND
5. PROGRAM VOLTAGE Vpp.
6. I/O



### PAD LAYOUT

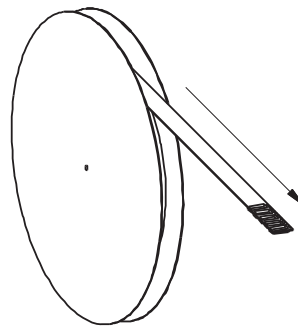


SIM  
ORIENTATION

NOTES:

1. SALES DRAWING FOR SLIDE IN SIM READER.
2. FOR PRODUCT SPECIFICATION REFER TO ELCO SPEC. 201-01-085.
3. GENERAL TOLERANCE  $\pm 0.20$  UNLESS OTHERWISE STATED.
4. INSULATOR MATERIAL: NYLON GLASS FILLED.
5. CONTACT MATERIAL COPPER ALLOY:  
SIM CONTACTS NOSE PLATED WITH GOLD,  
SMT PADS PLATED WITH PURE TIN.
6. PACKING DETAILS SEE PAGE 4.

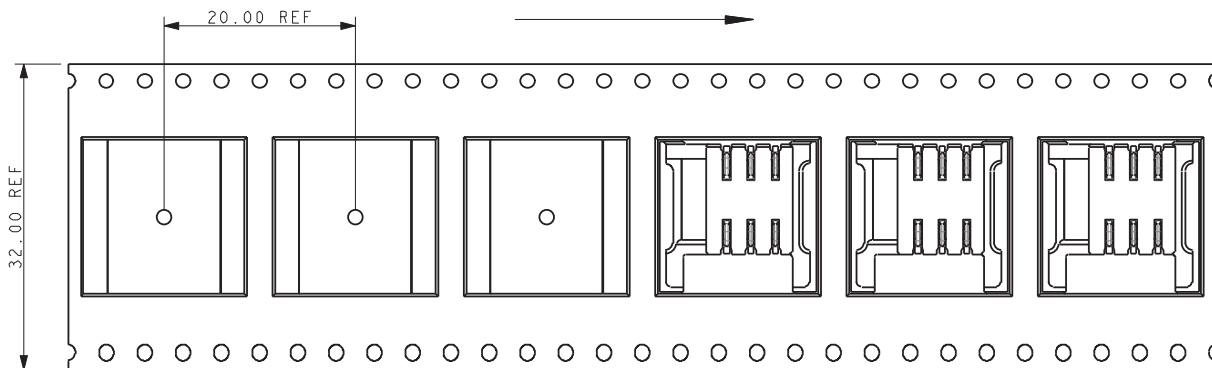
### PACKING DETAILS



(SHOWING USER DIRECTION OF FEED)

#### Reel Size 380mm Dia.

REEL QTY	1100
LEADER	500MM
TRAILER	500MM
REELS/BOX	4
PACK QTY	4400



单击下面可查看定价，库存，交付和生命周期等信息

[>>AVX](#)