

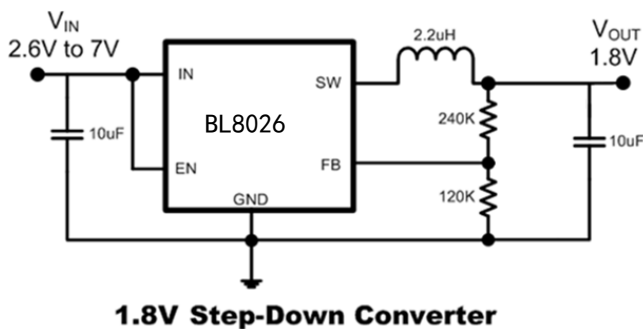
1.2A 1.5MHz 7V Synchronous Buck Converter

DESCRIPTION

The BL8026 is a high-efficiency, DC-to-DC step-down switching regulators, capable of delivering up to 1.2A of output current. The device operates from an input voltage range of 2.6V to 7V and provides an output voltage from 0.6V to V_{IN} , making the BL8026 ideal for low voltage power conversions. Running at a fixed frequency of 1.5MHz allows the use of small external components, such as ceramic input and output caps, as well as small inductors, while still providing low output ripples. This low noise output along with its excellent efficiency achieved by the internal synchronous rectifier, making BL8026 an ideal green replacement for large power consuming linear regulators. Internal soft-start control circuitry reduces inrush current. Short-circuit and thermal-overload protection improves design reliability.

The BL8026 is available in the tiny DFN2x2-6 and SOT23-5 packages.

TYPICAL APPLICATION



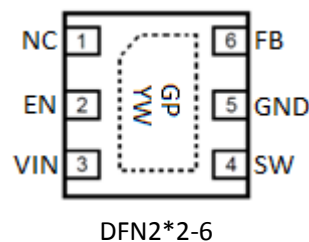
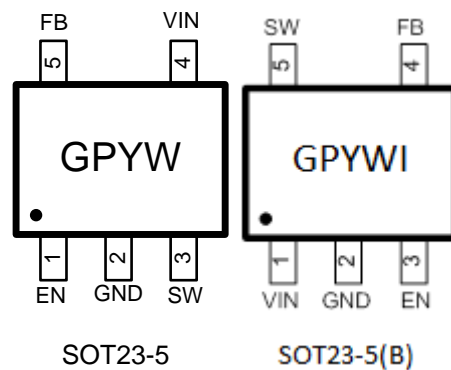
FEATURES

- High Efficiency: Up to 97%
- Capable of Delivering 1.2A
- 1.5MHz Switching Frequency
- No External Schottky Diode Needed
- Low dropout 100% Duty operation
- Internal Compensation and Soft-Start
- Current Mode control
- 0.6V Reference for Low Output voltages
- Logic Control Shutdown ($I_Q < 1\mu A$)
- Thermal shutdown, UVLO
- Available in tiny DFN2x2-6 and SOT23-5

APPLICATIONS

- Cellular phones
- Digital Cameras
- MP3 and MP4 players
- Set top boxes
- Wireless and DSL Modems
- USB supplied Devices in Notebooks
- Portable Devices

PIN OUT & MARKING



GP: Product Code
 YW: Date code (Year & Week)

ORDERING INFORMATION

PART No.	PACKAGE	Tape&Reel
BL8026CB5TR	SOT23-5	3000/Reel
BL8026CB5BTR	SOT23-5	3000/Reel
BL8026CKCTR	DFN2*2-6	3000/Reel

ABSOLUTE MAXIMUM RATING

Parameter	Value	
Max Input Voltage	8V	
Max Operating Junction Temperature(Tj)	125°C	
Ambient Temperature(Ta)	-40°C – 85°C	
Maximum Power Dissipation	SOT23-5	400mW
	DFN2*2-6	600mW
Storage Temperature(Ts)	-40°C - 150°C	
Lead Temperature & Time	260°C, 10S	
ESD (HBM)	>2000V	

Note: Exceed these limits to damage to the device. Exposure to absolute maximum rating conditions may affect device reliability.

RECOMMENDED WORK CONDITIONS

Parameter	Value
Input Voltage Range	7V
Operating Junction Temperature(Tj)	-20°C –125°C

ELECTRICAL CHARACTERISTICS

(Vin=5V, TA=25°C)

Symbol	Parameter	Conditions	Min	Typ	Max	Unit
Vin	Input Voltage Range		2.6		7	V
Vref	Feedback Voltage	Vin=5V	0.588	0.6	0.612	V
I _{fb}	Feedback Leakage current			0.1	1	uA
I _q	Quiescent Current	Active, V _{fb} =0.65, No Switching		50		uA
		Shutdown			1	uA
LnReg	Line Regulation	Vin=2.7V to 5.5V		0.1	0.2	%/V
LdReg	Load Regulation	I _{out} =0.01 to 1A		0.1	0.2	%/A
F _{sw}	Switching Frequency		1.1	1.5	1.9	MHz
R _{dsonP}	PMOS R _{dson}			250	350	mohm
R _{dsonN}	NMOS R _{dson}			150	250	mohm
I _{limit}	Peak Current Limit		1.2	1.5	2	A
I _{inload} *		Vin=5V, V _{out} =3.3V, I _{out} =0		75		uA
I _{swlk}	SW Leakage Current	V _{out} =6V, V _{SW} =0 or 6V, EN=0V			1	uA
I _{enlk}	EN Leakage Current				1	uA
V _{h_en}	EN Input High Voltage		1			V
V _{l_en}	EN Input Low Voltage				0.5	V

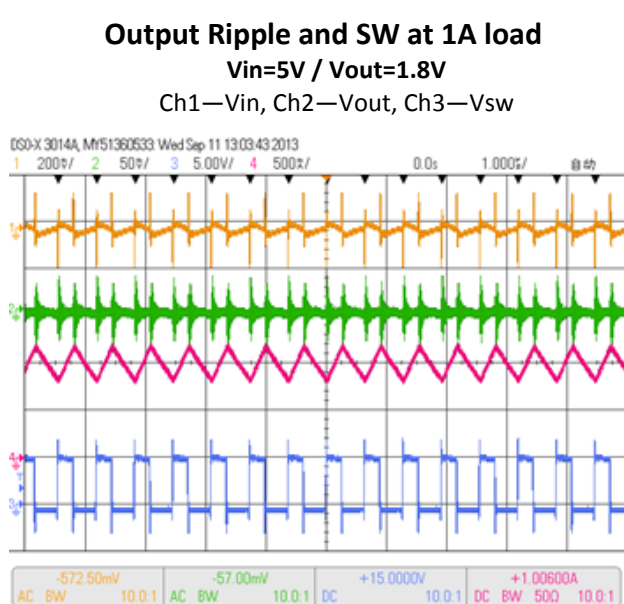
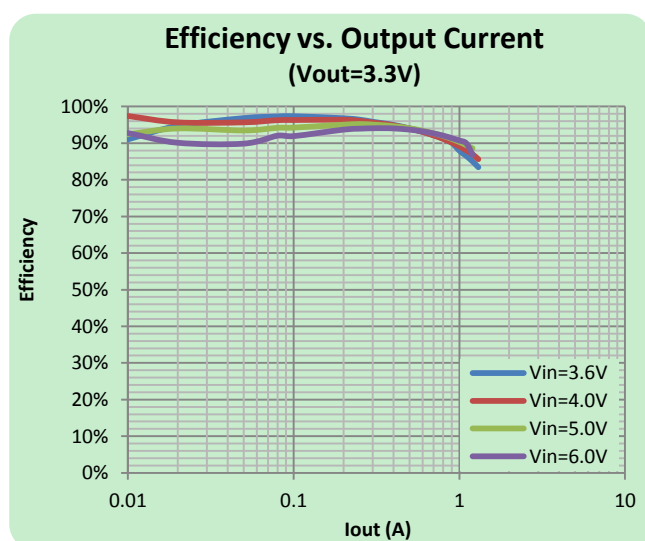
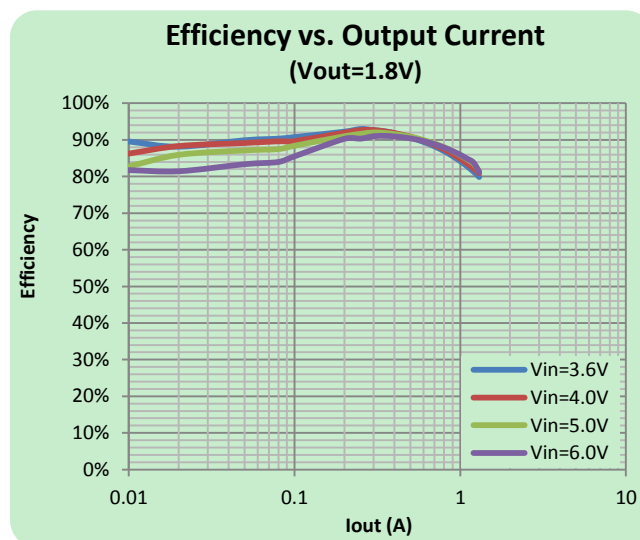
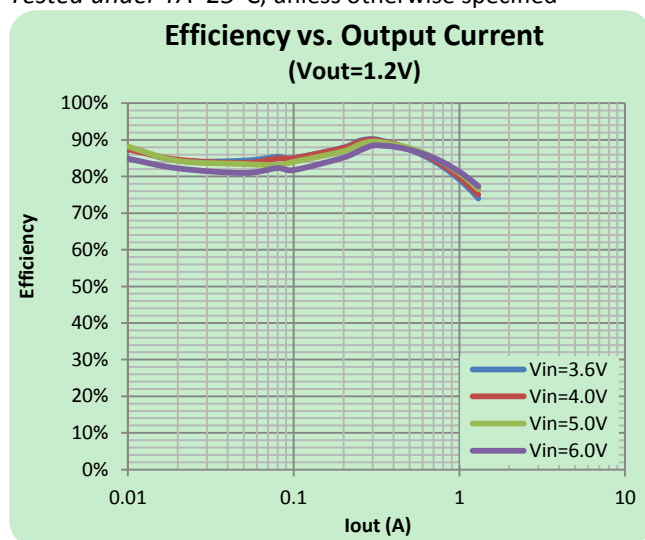
Note: *When Duty cycle >80%, I_{inload} will increase. e.g. Vin=3.6V/V_{out}=3.3V, I_{inload}=1mA.

PIN DESCRIPTION

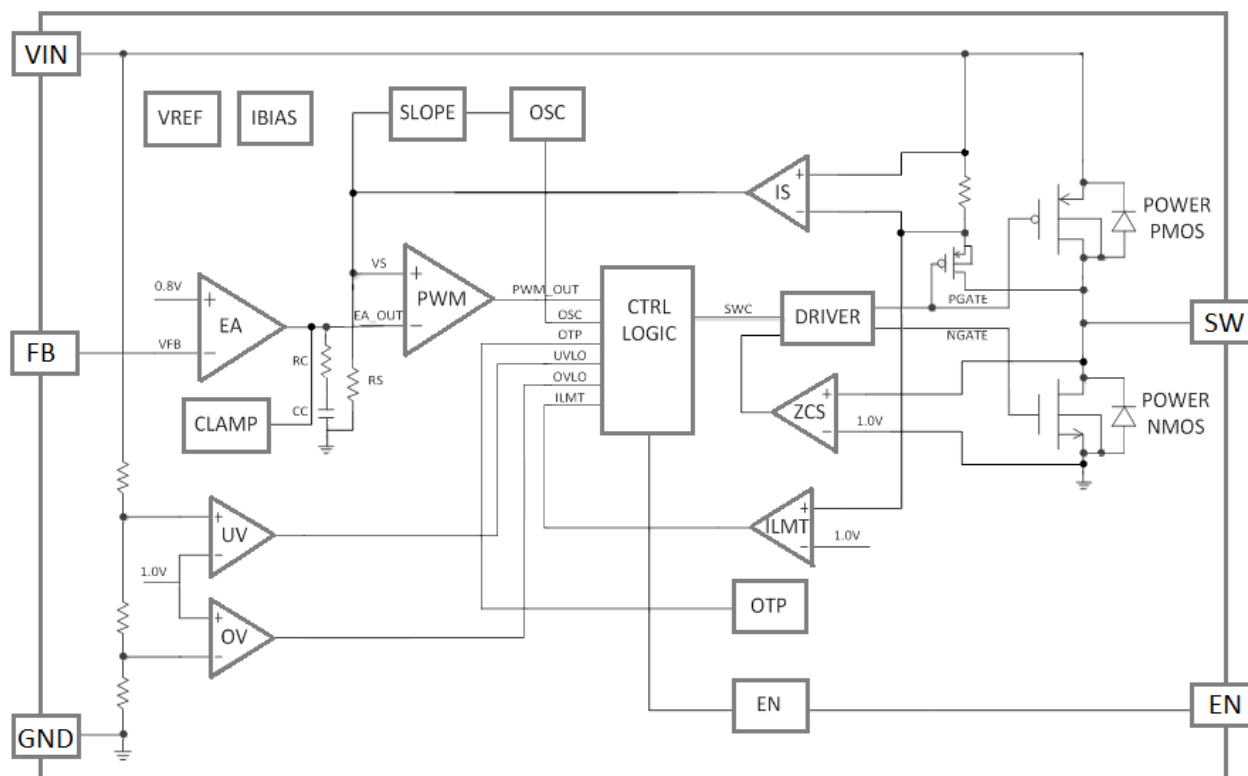
NAME	PIN #			DESCRIPTION
	DFN2x2-6	SOT23-5	SOT23-5(B)	
EN	2	1	3	Enable pin for the IC. Drive the pin to high to enable the part, and low to disable
GND	5	2	2	Ground
SW	4	3	5	Inductor connection. Connect an inductor between SW and the regulator output.
VIN	3	4	1	Supply voltage.
FB	6	5	4	Feedback input. Connect an external resistor divider from the output to FB and GND to set the output to a voltage between 0.6V and Vin
NC	1	-	-	Not connected

ELECTRICAL PERFORMANCE

Tested under $T_A=25^{\circ}\text{C}$, unless otherwise specified



BLOCK DIAGRAM



DETAILED DESCRIPTION

The BL8026 high-efficiency switching regulator is a small, simple, DC-to-DC step-down converter capable of delivering up to 1A of output current. The device operates in pulse-width modulation (PWM) at 1.5MHz from a 2.6V to 7V input voltage and provides an output voltage from 0.6V to V_{IN} , making the BL8026 ideal for on-board post-regulation applications. An internal synchronous rectifier improves efficiency and eliminates the typical Schottky free-wheeling diode. Using the on resistance of the internal high-side MOSFET to sense switching currents eliminates current-sense resistors, further improving efficiency and cost.

Loop Operation

BL8026 uses a PWM current-mode control scheme. An open-loop comparator compares the integrated voltage-feedback signal against the sum of the amplified current-sense signal and the slope compensation ramp. At each rising edge of the internal clock, the internal high-side MOSFET turns

on until the PWM comparator terminates the on cycle. During this on-time, current ramps up through the inductor, sourcing current to the output and storing energy in the inductor. The current mode feedback system regulates the peak inductor current as a function of the output voltage error signal. During the off cycle, the internal high-side P-channel MOSFET turns off, and the internal low-side N-channel MOSFET turns on. The inductor releases the stored energy as its current ramps down while still providing current to the output.

Current Sense

An internal current-sense amplifier senses the current through the high-side MOSFET during on time and produces a proportional current signal, which is used to sum with the slope compensation signal. The summed signal then is compared with the error amplifier output by the PWM comparator to terminate the on cycle.

Current Limit

There is a cycle-by-cycle current limit on the high-side MOSFET of 1.5A(typ). When the current flowing out of SW exceeds this limit, the high-side MOSFET turns off and the synchronous rectifier turns on. BL8026 utilizes a frequency fold-back mode to prevent overheating during short-circuit output conditions. The device enters frequency fold-back mode when the FB voltage drops below 200mV, limiting the current to 1.5A (typ) and reducing power dissipation. Normal operation resumes upon removal of the short-circuit condition.

Soft-start

BL8026 has a internal soft-start circuitry to reduce supply inrush current during startup conditions. When the device exits under-voltage lockout (UVLO), shutdown mode, or restarts following a thermal-overload event, the I soft-start circuitry slowly ramps up current available at SW.

UVLO and Thermal Shutdown

If VIN drops below 2.5V, the UVLO circuit inhibits switching. Once VIN rises above 2.6V, the UVLO clears, and the soft-start sequence activates. Thermal-overload protection limits total power dissipation in the device. When the junction temperature exceeds $T_J = +160^{\circ}\text{C}$, a thermal sensor forces the device into shutdown, allowing the die to cool. The thermal sensor turns the device on again after the junction temperature cools by 15°C , resulting in a pulsed output during continuous overload conditions. Following a thermal-shutdown condition, the soft-start sequence begins.

Design Procedure

Setting Output Voltages

Output voltages are set by external resistors. The FB_threshold is 0.6V.

$$R_{TOP} = R_{BOTTOM}[(V_{OUT} / 0.6) - 1]$$

Input Capacitor Selection

The input capacitor in a DC-to-DC converter reduces current peaks drawn from the battery or other input power source and reduces switching noise in the controller. The impedance of the input capacitor at the switching frequency should be less than that of the input source so high-frequency switching currents do not pass through the input source. The output capacitor keeps output ripple small and ensures control-loop stability. The output capacitor must also have low impedance at the switching frequency. Ceramic, polymer, and tantalum capacitors are suitable, with ceramic exhibiting the lowest ESR and high-frequency impedance. Output ripple with a ceramic output capacitor is approximately as follows:

$$V_{RIPPLE} = I_L(\text{PEAK})[1 / (2\pi \times f_{OSC} \times C_{OUT})]$$

If the capacitor has significant ESR, the output ripple component due to capacitor ESR is as follows:

$$V_{RIPPLE}(\text{ESR}) = I_L(\text{PEAK}) \times \text{ESR}$$

Application Information

Layout is critical to achieve clean and stable operation. The switching power stage requires particular attention. Follow these guidelines for good PC board layout:

- 1) Place decoupling capacitors as close to the IC as possible
- 2) Connect input and output capacitors to the same power ground node with a star ground configuration then to IC ground.
- 3) Keep the high-current paths as short and wide as possible. Keep the path of switching current (C1 to VIN and C1 to GND) short. Avoid vias in the switching paths.
- 4) If possible, connect VIN, SW, and GND separately to a large copper area to help cool the IC to further improve efficiency and long-term reliability.
- 5) Ensure all feedback connections are short and direct. Place the feedback resistors as close to the IC as possible.
- 6) Route high-speed switching nodes away from sensitive analog areas

PACKAGE OUTLINE

Package	DFN2x2-6	Devices per reel	3000	Unit	mm
Package specification:					
<p>TOP VIEW</p>		<p>SIDE VIEW</p>		<p>BOTTOM VIEW</p>	
COMMON DIMENSIONS (UNITS OF MEASURE=MILLIMETER)					
SYMBOL	MIN	NOM	MAX		
A	0.80	0.85	0.90		
A1	0.00	0.02	0.05		
A2	0.60	0.65	0.70		
A3	0.20REF				
b	0.18	0.25	0.30		
D	1.90	2.00	2.10		
E	1.90	2.00	2.10		
D2	0.70	0.80	0.90		
E2	1.20	1.30	1.40		
e	0.55	0.65	0.75		
H	0.25REF				
K	0.20	-	-		
L	0.30	0.35	0.40		
R	0.11	-	-		
<p>SIDE VIEW</p>					

Package	SOT23-5	Devices per reel	3000	Unit	mm
Package specification:					
<p>TOP VIEW</p>			<p>SIDE VIEW</p>		
<p>PERSPECTIVE VIEW</p>					

单击下面可查看定价，库存，交付和生命周期等信息

[>>BELLING\(上海贝岭\)](#)