

# 1.5A, 3.0-25.0V H-Bridge Driver

## Description

The BL5616 is one channel H-Bridge driver IC, it provides integrated motor-driver solution for toys, robotics, consumer products and other low voltage or battery-powered motion control applications.

The BL5616 maximum operational voltage is 25.0V. It can supply up to 1.5A of output continuous current and 3.5A of output peak current. There is internal shutdown function for over-temperature protection and over-current protection ( $I_{OC\overline{P}} = 4.5\text{ A}$ ).

Package material is Pb-Free Product & RoHS compliant for the purpose of environmental protection and for sustainable development of the earth.

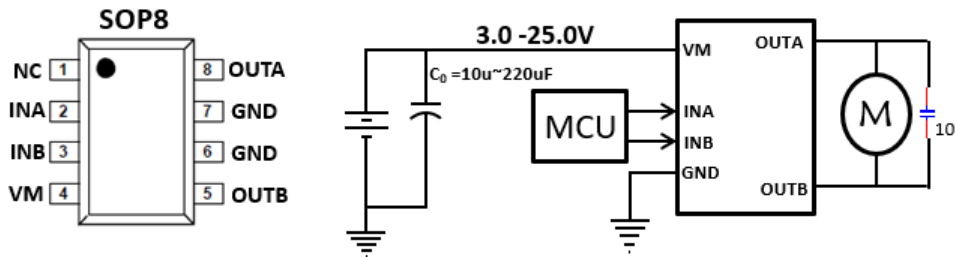
## Features

- Operation voltage range up to 25.0V
- Maximum continuous current output up to 1.5A
- Low  $R_{DS(ON)}$  for highly efficient H-bridge output.
- Support PWM control
- Over current protection
- Over temperature protection
- Low standby current
- Low quiescent current
- SOP8 package

## Applications

- Robotics (R/C servo, Sweeping robot)
- Toys (R/C car, R/C aircraft)
- Any relevant DC motor applications

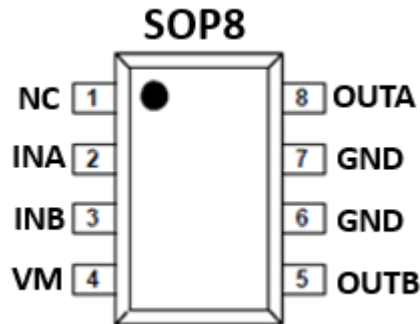
## BL5616 Package & Simplified Schematic



## Device Information

Part No.	Package	Quantity	Operation Temp.
BL5616	SOP8	4000	-40~85 °C

## Pin Configuration and Functions



NO.	NAME	TYPE	DESCRIPTION
1	NC	NC	No Connection
2	INA	I	Input INA
3	INB	I	Input INB
4	VM	P	Power Supply for H-Bridge, Connection 10uF or bigger capacitor between VDD and GND
5	OUTB	O	Output OUTB
6	GND	P	Ground
7	GND	P	Ground
8	OUTA	O	Output OUTA, Connection 0.1uF between OUTA and OUTB

**Absolute Maximum Ratings (TA=25°C)**

Parameter		Min.	Max.	Unit
Power Supply	VM	-0.3	30.0	V
Input Logic	INA, INB	-0.3	7.0	
ESD(HBM)	VM, INA, INB, OUTA, OUTB		4.0	kV
Operation temp.	T <sub>J</sub>	-40	150	°C
Storage temp.	T <sub>stg</sub>	-65	150	
Thermal resistance	θ <sub>JA</sub>		160	°C/W

**Recommended operating conditions (TA=25°C)**

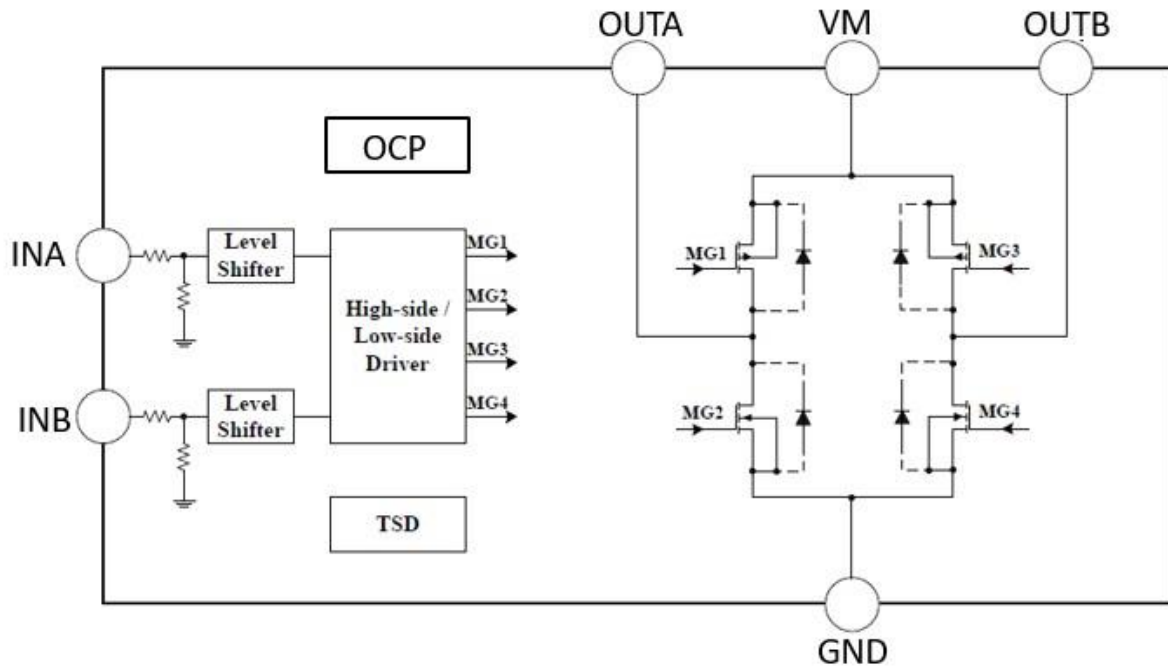
Parameter		Min.	Max.	Unit
Power Supply	VM	3.0	25.0	V
Input Logic	INA, INB	0	5.0	
Output Contiguous Current	I <sub>OUTA</sub> , I <sub>OUTB</sub>	0	1.5*	A

Notes: \* Using 25mm<sup>2</sup> FR4 Signal layer PCB (1 oz) under VM=7.2V test.

**Electrical Characteristics (VM=7.2V, TA=25 °C, RLOAD=20)**

Parameter		Test Condition	Min.	Typ.	Max.	Unit
<b>H-Bridge FETs</b>						
ON Resistance	R <sub>DSON</sub>	I <sub>OUT</sub> =1.0A		0.35		Ω
<b>INA/INB</b>						
Input high level voltage	V <sub>INH</sub>		1.5		5.0	V
Input low level voltage	V <sub>INL</sub>		0		0.7	
Pull down resistance	R <sub>PD</sub>			100	200	KΩ
<b>Supply Current</b>						
Standby current	I <sub>VM_OFF</sub>	INA=INB=0		1.5	10	uA
Operation current	I <sub>VM_ON</sub>			2.0	4.0	mA
<b>Thermal Protection</b>						
Thermal shutdown protection	T <sub>OTSD</sub>			160		°C
Thermal shutdown hysteresis	T <sub>HYS</sub>			50		

**Block Diagram**

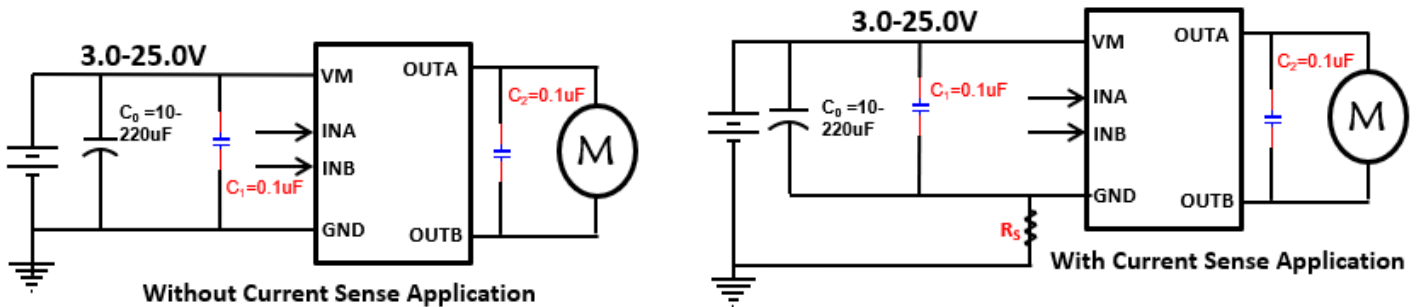


**Truth Table**

INA	INB	OUTA	OUTB	Mode	Supply Current
L	L	Hi-Z	Hi-Z	Stop	$I_{VM\_OFF}$
H	L	H	L	Forward	$I_{VM\_ON}$
L	H	L	H	Reverse	$I_{VM\_ON}$
H	H	L	L	Brake	$I_{VM\_ON}$

## Application Notes:

### 1. Schematic Descriptions



### Notes :

1. This simplified schematic is only as reference in DC motor driver application.
2. C<sub>0</sub> , C<sub>1</sub>: Power supply VM pin capacitor:
  - 1) The capacitor can reduce the power spike when the motor is in motion. To avoid the IC directly damaged by the VM peak voltage. It also can stabilize the power supply voltage and reduce its ripples.
  - 2) The C<sub>0</sub> capacitor can compensate power when motor starts running.
  - 3) The capacitor value determines the stability of the VM during motor in motion. If the large voltage power or a heavy loading motor is used, then a larger capacitor would be needed.
  - 4) On the PCB configuration, the C<sub>0</sub> , C<sub>1</sub> must be mounted as close as possible to VM pin .
3. C<sub>2</sub> : The across-motor capacitor
  - 1) The C<sub>2</sub> capacitors can reduce the power spike of motor in start running. A 0.1μF capacitor is recommended.
  - 2) The C<sub>2</sub> capacitor must be added to the general application.
4. R<sub>S</sub> : The sense resistor in current sense application
  - 1) Need to sense output current, the R<sub>S</sub> is recommended to added between IC GND and PCB ground.
  - 2) The C<sub>0</sub>, C<sub>1</sub> negative terminal is recommend connection to IC GND.

## 2. Operating Mode Descriptions

H-Bridge basic operating mode :

A) Stop mode

Definition : When  $INA=INB=L$ , then  $OUTA=OUTB=Hi-Z$

B) Forward mode

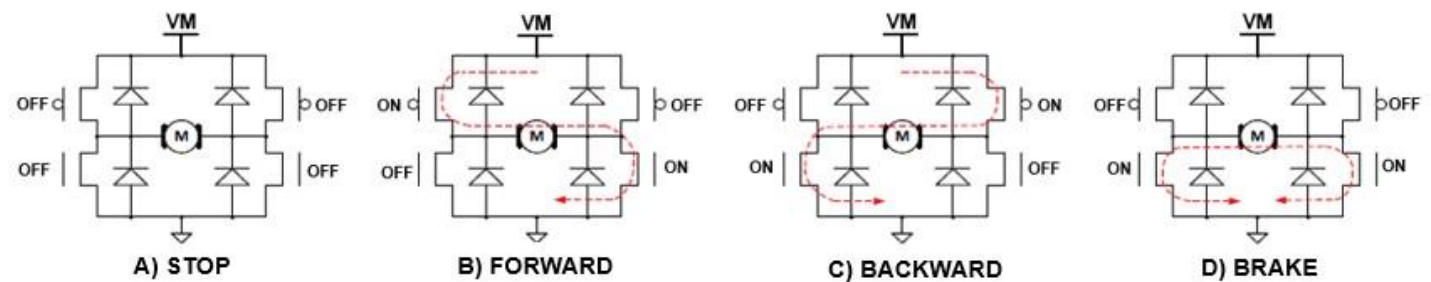
Definition : When  $INA=H$ ,  $INB=L$ , then  $OUTA=H$ ,  $OUTB=L$

C) Reverse mode

Definition : When  $INA=L$ ,  $INB=H$ , then  $OUTB=H$ ,  $OUTA=L$

D) Brake mode

Definition : When  $INA=INB=H$ , then  $OUTA=OUTB=L$



## 3. Protection Mechanisms Descriptions

1) Over-current protection (OCP)

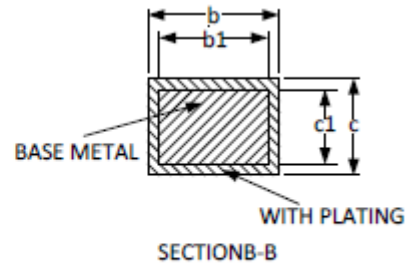
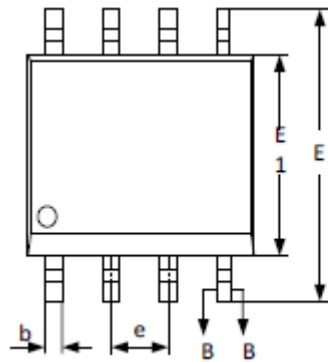
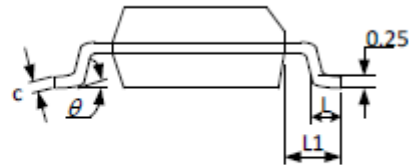
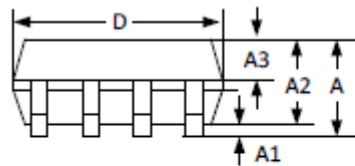
While the IC conducts a large current, 4.5A (Typ.), the internal over-current protection function will be triggered. The device enters protection mode of auto-recover to avoid damaging IC and system.

2) Over-temperature protection

If the IC junction temperature exceeds 180 °C (Typ.), the internal over-temperature protection function will be triggered, partial FETs in the H-bridge are disabled, that will ensure the safety of customers' products. If the IC junction temperature falls to 120 °C(Typ.), the IC resumes automatically.

Package

SOP8



SYMBOL	MILLIMETER		
	MIN	NOM	MAX
A	--	--	1.77
A1	0.08	0.18	0.28
A2	1.20	1.40	1.60
A3	0.55	0.65	0.75
b	0.39	--	0.48
b1	0.38	0.41	0.43
c	0.21	--	0.26
c1	0.19	0.20	0.21
D	4.70	4.90	5.10
E	5.80	6.00	6.20
E1	3.70	3.90	4.10
e	1.27BSC		
L	0.50	0.65	0.80
L1	1.05BSC		
$\theta$	0	--	8°

单击下面可查看定价，库存，交付和生命周期等信息

[>>BELLING\(上海贝岭\)](#)