

## Transient Voltage Suppressor

### Features

- IEC 61000-4-2(ESD)±30KV(air), ±30KV(contact)
- IEC61000-4-5(Lightning) 7A (8/20μ S)
- IEC61000-4-4(EFT) 40A (5/50nS)
- 70 Watts peak pulse power (tp=8/20μ S)
- Low clamping voltage
- Weight approx. 0.5 mg
- Small package: DFN1006
- Moisture sensitivity level: Level 1

### Exterior



DFN1006


### Application information

- 1.8v power, Signal port
- Cell Phone Handsets and Accessories
- Microprocessor based equipment
- Personal Digital Assistants (PDA's)
- Notebooks, Desktops, and Servers
- Portable Instrumentation
- Peripherals, Pagers

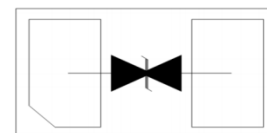
### Package (top view)



### Agency Approvals

Icon	Description
<b>RoHS</b>	Compliance with 2011/65/EU
<b>HF</b>	Compliance with IEC61249-2-21:2003
	Mean lead free

### Schematic



### Part Number and Electrical Parameter

Part Number	$I_{DRM}@V_{DRM}$		$V_{BR}^{①}@I_R$		$V_C@I_{pp}^{②}$		$V_C@I_{pp}^{②}$		$C_o^{③}$
	μA	V	V	mA	V	A	V	A	pF
	MAX		MIN		MAX		MAX		TYP
BV-FA03ZCB	1	3.3	3.5	1	6	1	10	7	12

Absolute maximum ratings measured at T= 25°C RH = 45%-75% (unless otherwise noted).

①  $V_{BR}$  is measured at  $I_R=1mA$

② Surge Waveform: 8/20μ S.

③ Off-state capacitance is measured in  $V_{DC}=0V, V_{RMS}=0.3V, f=1MHz$

## Transient Voltage Suppressor

Part Numbering System

Mark

BV FA 03 Z C B  
(1) (2) (3) (4) (5) (6)

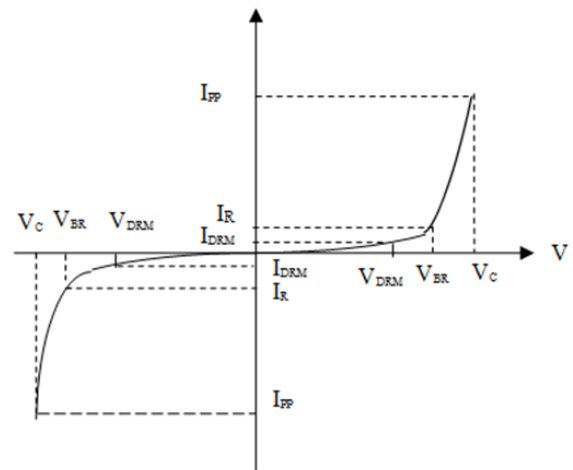
- (1) Bencent Transient Voltage Suppressor
- (2) Package: DFN1006
- (3) Off-state Voltage: 3.3V
- (4) Normal Capacitance
- (5) Bidirectional
- (6) Bencent internal code



T: Part Number

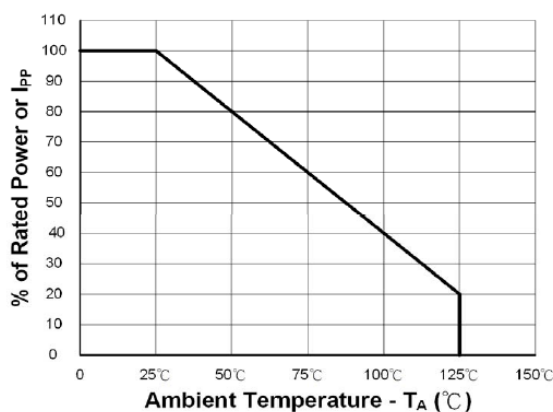
### V-I Curve

Parameters	Definition
VC	Clamping voltage
Ipp	Surge waveform 8/20μ s
VDRM	Stand-off Voltage
VBR	Breakdown Voltage
IDRM	Reverse Leakage Current
IR	Test current
PPP	Peak Pulse Power Dissipation

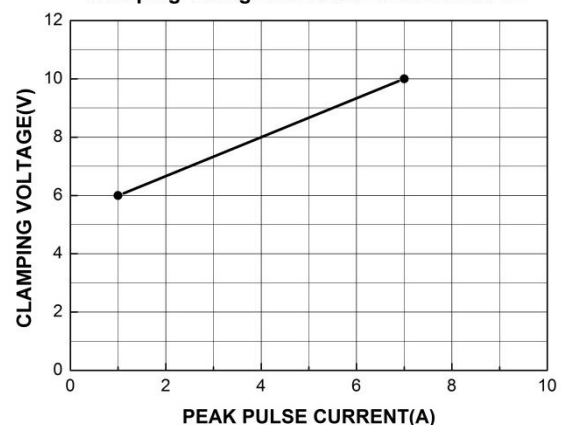


### Typical Characteristics

Power Derating



Clamping Voltage Vs. Peak PULSE CURRENT



### Thermal Considerations

symbol	Parameter	Value	Unit
T <sub>J</sub>	Operating Junction Temperature Range	-40 to +125	°C
T <sub>S</sub>	Storage Temperature Range	-55 to +150	°C

## Transient Voltage Suppressor

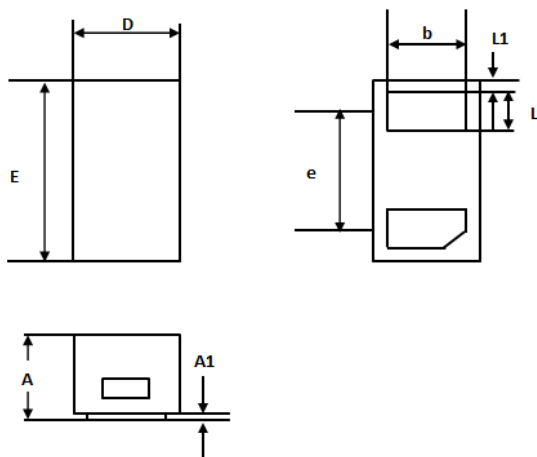
Version: A2 2019-04-24

### Environmental Characteristics

Testing items	Technical standards
High temperature Reverse Bias Test	Temperature: $125\pm 3^{\circ}\text{C}$ Bias= $80\%V_{\text{DRM}}$ Time:168H
High Temperature Life Test	Temperature: $150^{\circ}\text{C}$ Time:168H
High-low Temperature Cycle test	Temperature: From $-40^{\circ}\text{C}$ to $125^{\circ}\text{C}$ Dwell time : 30min,10cycles
High Temperature &High Humidity Test	Temperature: $85^{\circ}\text{C}$ Humidity:85% Time:168H
Pressure cooker Test	Temperature: $121^{\circ}\text{C}$ , 2atm. Humidity:100% Time:24H
Resistance of soldering heat	Temperature: $260\pm 5^{\circ}\text{C}$ Time of dip soldering: 10s, 3times

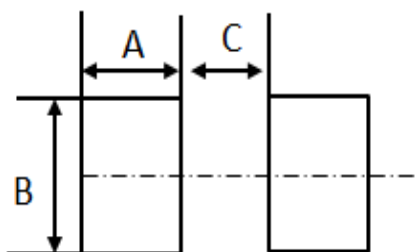
Note: The above testing items can be specified by customer's special request

### Product Dimensions



REF	mm	inch
A	0.45~0.55	0.018~0.022
A1	0.00~0.05	0.000~0.002
D	0.55~0.65	0.022~0.026
E	0.95~1.05	0.037~0.041
b	0.40~0.60	0.016~0.024
e	0.65BSC	0.026BSC
L	0.15~0.35	0.006~0.014
L1	0.05REF	0.002REF

### Recommended Soldering Pad

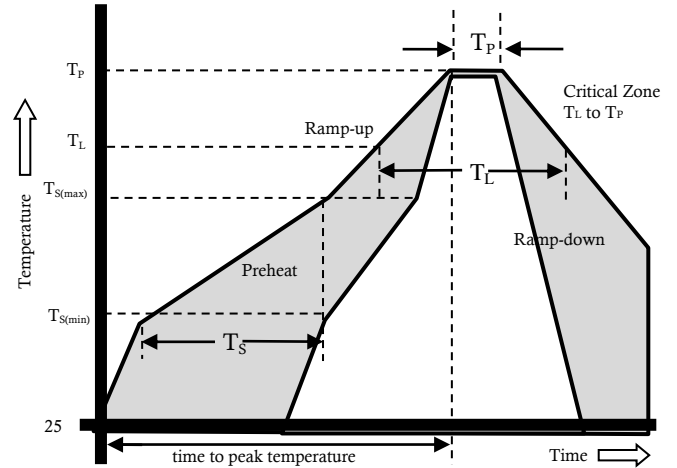


REF	mm	inch
A	0.35	0.014
B	0.60	0.024
C	0.35	0.014

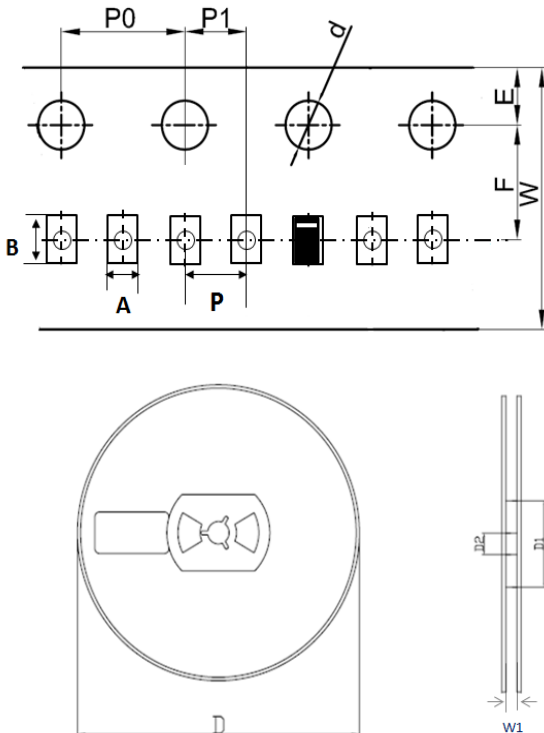
**Transient Voltage Suppressor**

**Reflow Profile**

Reflow Condition		Pb-Free assembly
Pre Heat	Temperature Min	150°C
	Temperature Max	200°C
	Time (min to max)	60 – 180 secs
Average ramp up rate (Liquid) Tamp ( $T_L$ ) to peak		3°C/s max
$T_S(\text{max})$ to $T_L$ - Ramp-up Rate		3°C/s max
Reflow	- Temperature ( $T_L$ ) (Liquid)	217°C
	- Temperature ( $T_L$ )	60 – 150 secs
Peak Temperature ( $T_P$ )		260±0/-5 °C
Time within 5°C of actual peak Temperature ( $T_P$ )		30secs
Ramp-down Rate		6°C/s max
Time 25°C to peak Temperature ( $T_P$ )		8 mins max.
Do not exceed		260°C



**Package Reel Information**



REF	mm	inch
A	0.70±0.05	0.028±0.002
B	1.15±0.05	0.045±0.002
d	1.50±0.1/-0	0.059±0.004/-0
D	178.00±2.00	7.008±0.079
D1	55.00±3.00	2.165±0.118
D2	13.00±0.50	0.512±0.020
E	1.75±0.10	0.069±0.004
F	3.50±0.20	0.138±0.008
P	2.00±0.20	0.079±0.008
P0	4.00±0.20	0.157±0.008
P1	2.00±0.20	0.079±0.008
W	8.00±0.20	0.315±0.008
W1	9.50±1.00	0.374±0.039

OUTLINE	REEL (PCS)	PER CARTON (PCS)	REEL DIAMETERS (mm)	CARTON SIZE(mm)		
				L	W	H
TAPING	10,000	300,000	178	390	370	220

单击下面可查看定价，库存，交付和生命周期等信息

[>>Bencent \(槟城\)](#)