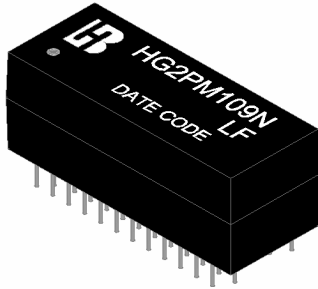


QUAD PORT MODULE 10/100 BASE-TX LAN MAGNETIC

P/N: HG2PM109N LF DATA SHEET

Feature

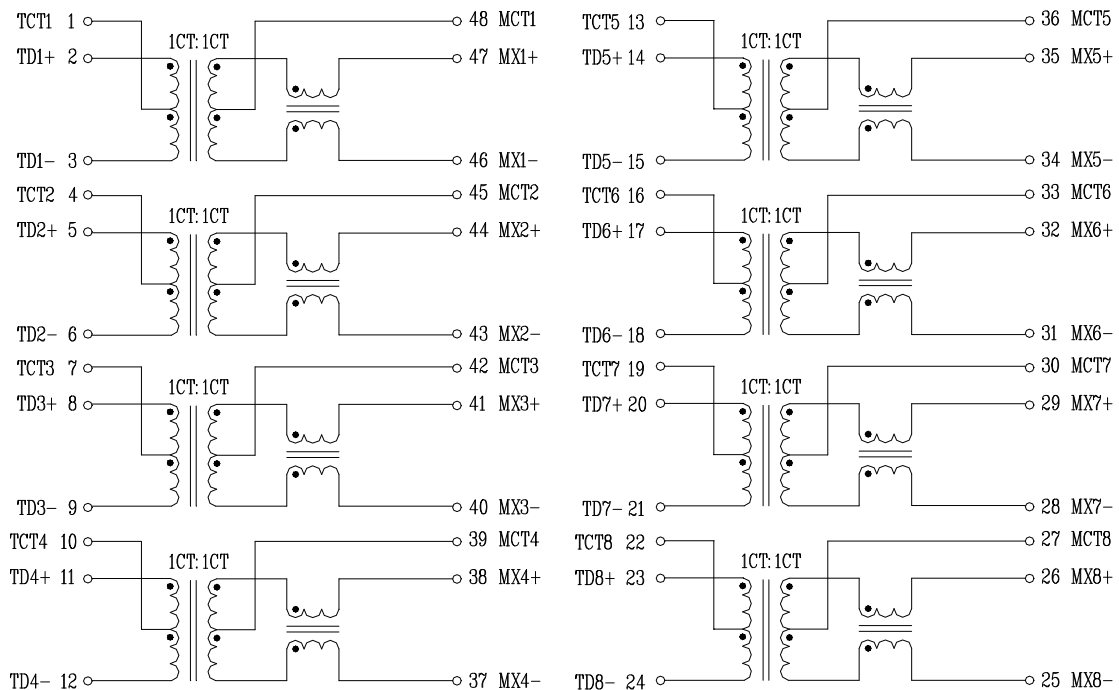


- Designed for Ethernet 10/100 BASE-T, full duplex applications.
- Supports 8 pairs of category 5 UTP cable.
- Cable interface for isolation and low common mode emissions.
- Compliant with IEEE 802.3ab standard for 10/100BASE-T.
- Suitable for End-span POE applications with 720mA current capability.
- Compliance with ROHS requirements.
- Operating temperature range: 0°C to +70°C.
- Storage temperature range: -25°C to +105°C.

Electrical Specifications @ 25°C							
Part Number	Turns Ratio (±5%)		OCL (uH Min) @100KHz/0.1V with 8mA DC Bias	Cross talk Attenuation (dB Min)			HI-POT (Vrms)
	TX	RX		30MHz	60MHz	100MHz	
HG2PM109N LF	1CT:1CT	1CT:1CT	350	-40	-35	-30	1500

Continue									
Part Number	Insertion Loss (dB Max)	Return Loss (dB Min) @ Load 100Ω					DCMR (dB Min)		
		1-100MHz	1-30MHz	40MHz	50MHz	60-80MHz	100MHz	30MHz	60MHz
HG2PM109N LF	-1.0	-18	-14.4	-13.1	-12	-10	-43	-37	-33

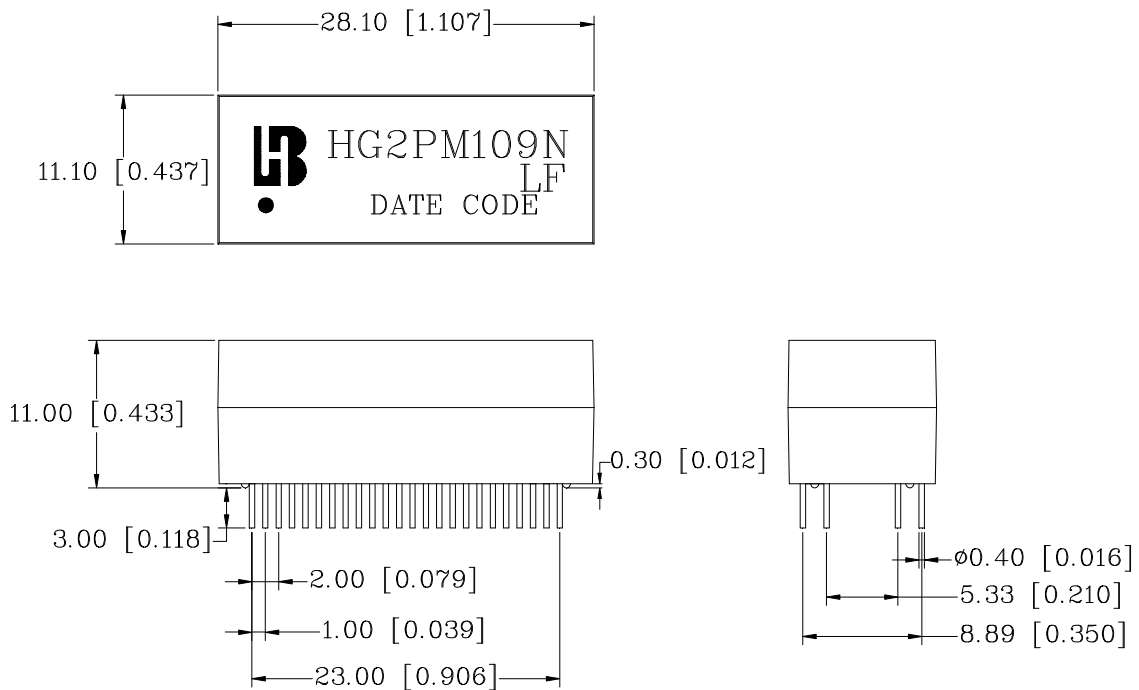
Schematic



QUAD PORT MODULE 10/100 BASE-TX LAN MAGNETIC

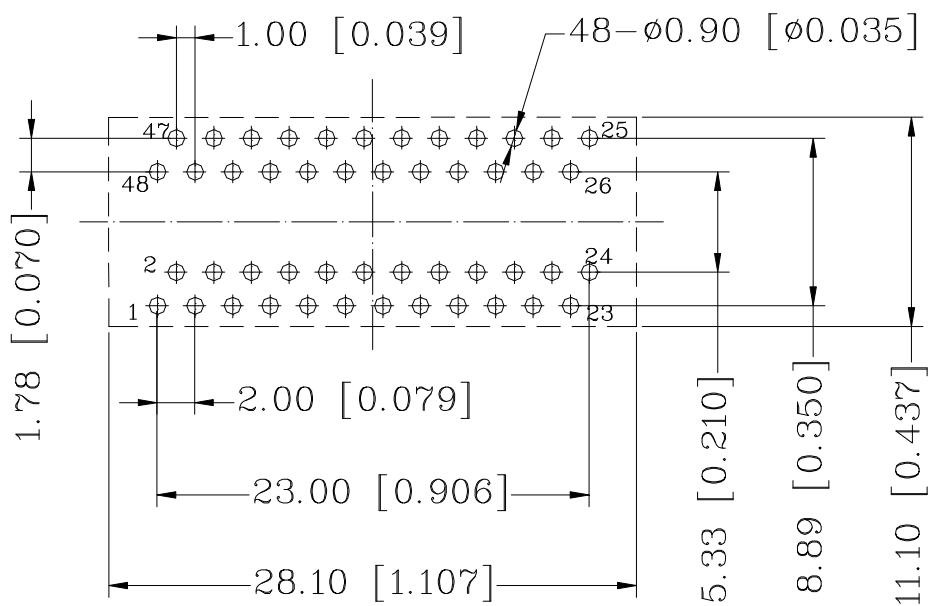
P/N: HG2PM109N LF DATA SHEET

Mechanical



Units: mm[Inches] Tolerances XX.X0 : ± 0.25 [0.010]
 0.XX : ± 0.05 [0.002]

PCB Layout mounting Hole (Top View)



Units: mm[Inches] Tolerance: xx.x0 ± 0.25 [0.010]
 0.xx ± 0.05 [0.002]

单击下面可查看定价，库存，交付和生命周期等信息

[>>Bothhand\(帛汉\(帛漢\)\)](#)