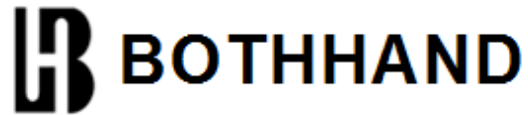


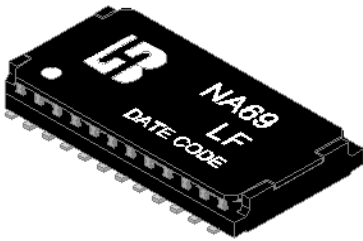
# NA69 LF

## SMD 1000 BASE-T Single Port PC CARD

### Discrete LAN Magnetics



#### Feature

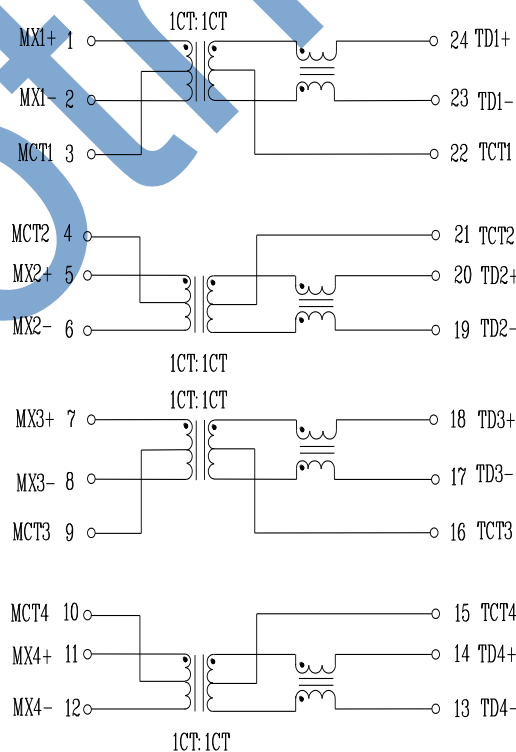


- Half port and single port designs for maximum layout flexibility.
- Complying with IEEE 802.3ab standard for 1000 BASE-T.
- Complying with ROHS & Halogen Free requirements.
- Operating temperature range: 0°C to +70°C.
- Storage temperature range: -25°C to +85°C.

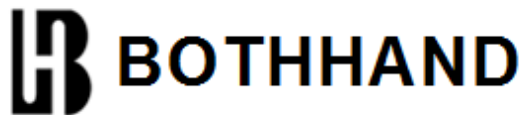
Electrical Specifications @ 25°C							
Part Number	Turns Ratio (±3%)		OCL (uH Min) @100KHz/0.1V	L.L (uH Max)	Cw/w (pF Max)	DCR (Ω Max)	HI-POT
	TX	RX					
NA69 LF	1CT:1CT	1CT:1CT	350	0.4	25	1.0	AC1500V/1mA

Continue									
Part Number	Insertion Loss (dB Max)	Return Loss (dB Min)					Cross talk (dB Min)	DCMR (dB Min)	
		1-30MHz	40MHz	50MHz	60-80MHz	100MHz		1-100MHz	1-60MHz
NA69 LF	-1.0	-18	-16	-14.08	-12.5	-10	-38	-35	-33

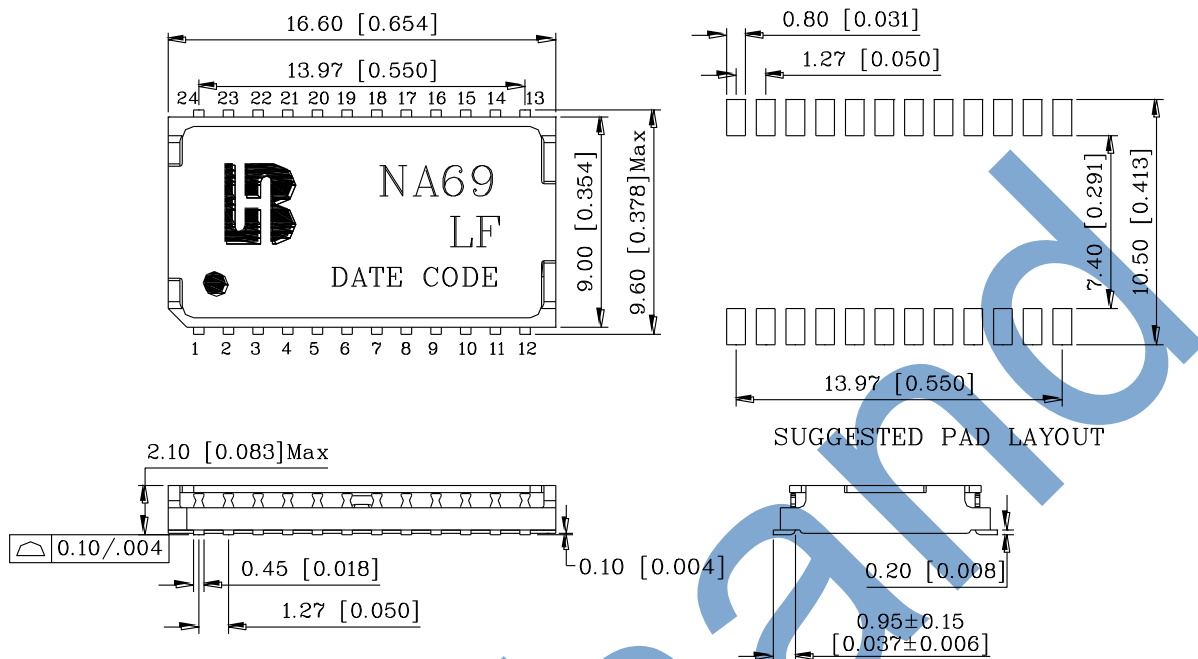
#### Schematic



**NA69 LF**  
**SMD 1000 BASE-T Single Port PC CARD**  
**Discrete LAN Magnetics**

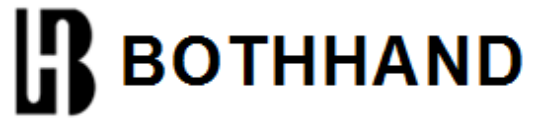


**Mechanical**

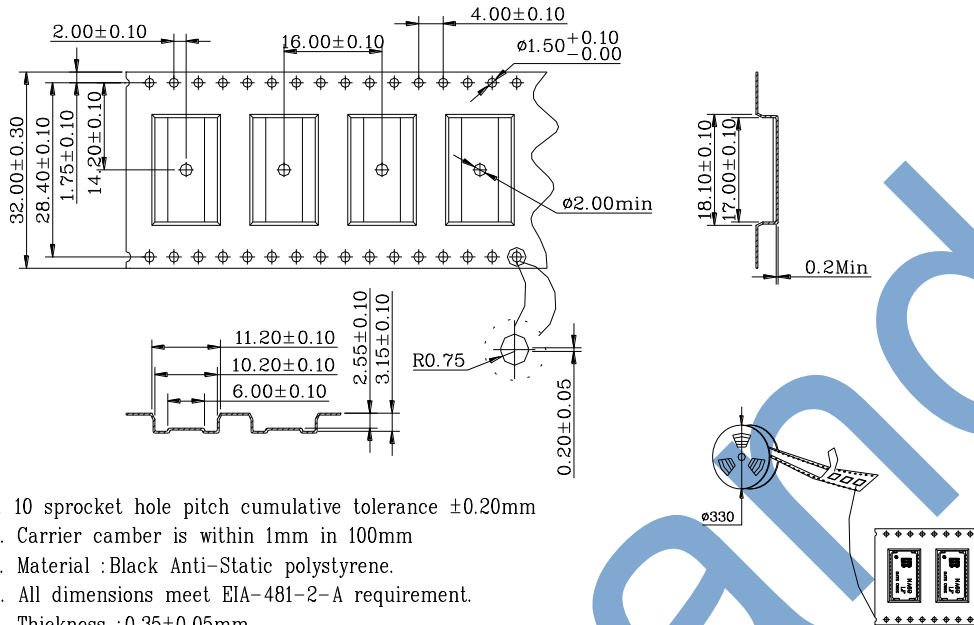


Units: mm[Inches]    Tolerances : xx.xx±0.25[0.010]  
 0.xx±0.05[0.002]

**SMD 1000 BASE-T Single Port PC CARD**  
**Discrete LAN Magnetics**

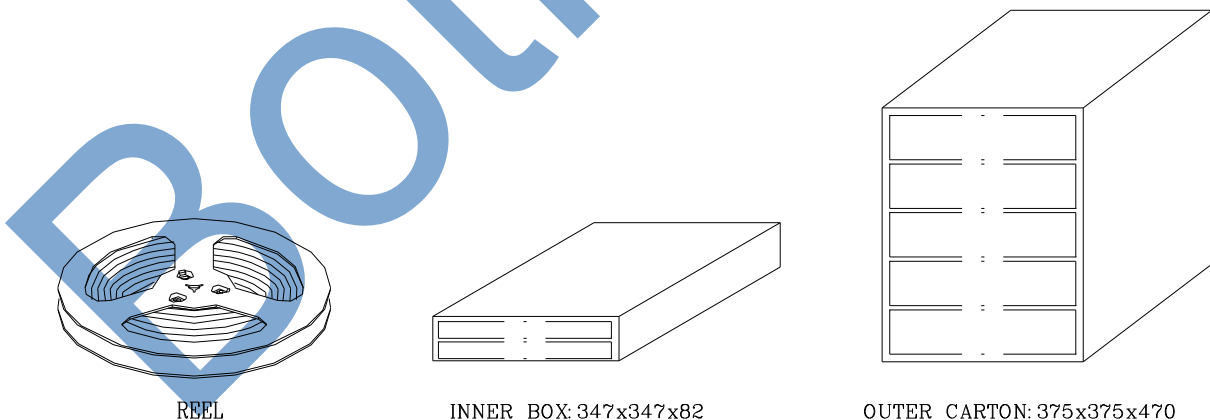


**REEL PACKAGE**



1. 10 sprocket hole pitch cumulative tolerance  $\pm 0.20\text{mm}$
2. Carrier camber is within 1mm in 100mm
3. Material : Black Anti-Static polystyrene.
4. All dimensions meet EIA-481-2-A requirement.
5. Thickness :  $0.35\pm 0.05\text{mm}$
6. Packing length per 22" reel : 62Meters.
7. Component load per 13" reel : 1200pcs .

**CARTON PACKAGE**



REEL

INNER BOX: 347x347x82

OUTER CARTON: 375x375x470

1. 1 Reel=1200PCS
2. 1 INNER BOX=2 Reel=2400PCS
3. 1 OUTER CARTON=5 INNER BOX=5x2400=12000PCS

单击下面可查看定价，库存，交付和生命周期等信息

[>>Bothhand\(帛汉\(帛漢\)\)](#)