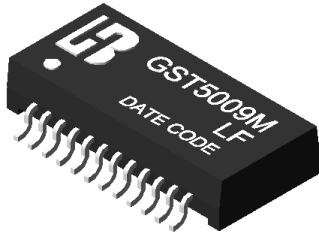


## 1000 BASE -T MAGNETICS MODULES

## P/N: GST5009M LF DATA SHEET

## Feature



- Designed for long haul gigabit Ethernet 1000 BASE-T, full duplex applications.
- Supports 4 pairs of category 5 UTP cable.
- Cable interface for isolation and low common mode emissions.
- Compliant with IEEE 802.3ab standard for 1000 BASE-T.
- Comply with RoHS requirements-whole part No Cd, No Hg, No Cr6+, No PBB and PBDE and No Pb on external pins.
- Operating temperature range: -40 to +85 .
- Storage temperature range: -40 to +125 .

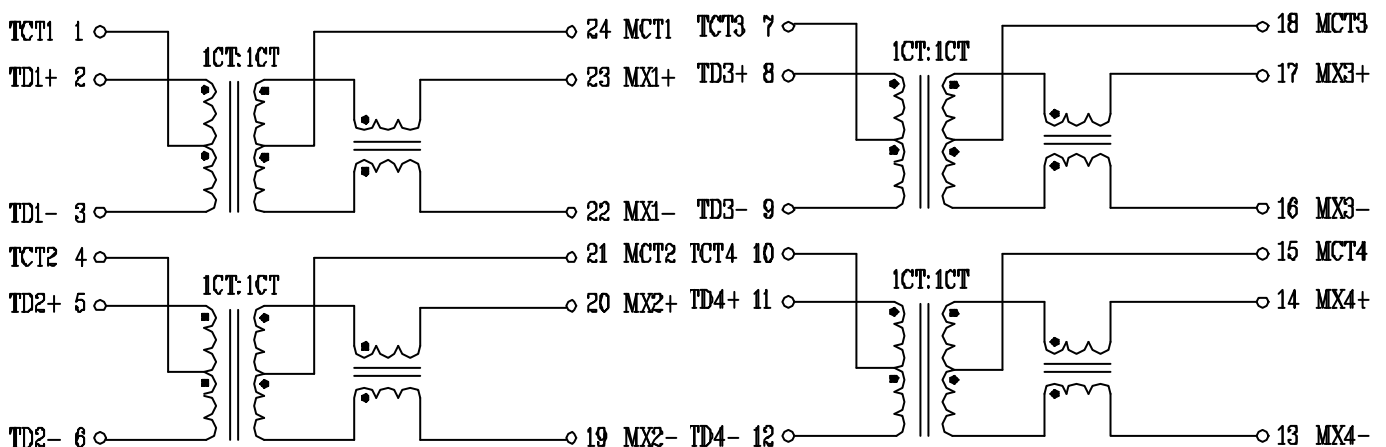
## Electrical Specifications @ 25°C

| Part Number | Turns Ratio (±5%) |         | OCL (uH Min)<br>@100KHz/0.1V<br>with 8mA DC Bias | Cross talk Attenuation (dB Min) |       |        | HI-POT (Vrms) |
|-------------|-------------------|---------|--|---------------------------------|-------|--------|---------------|
|             | TX                | RX      |  | 30MHz                           | 60MHz | 100MHz |               |
| GST5009MLF  | 1CT:1CT           | 1CT:1CT | 350  | -45                             | -40   | -35    | 1500          |

## Continue

| Part Number | Insertion Loss (dB Max) | Return Loss (dB Min)@ Load 100 |         |       |       |          | DCMR (dB Min) |       |       |
|-------------|-------------------------|--------------------------------|---------|-------|-------|----------|---------------|-------|-------|
|             |                         | 1-100MHz                       | 1-30MHz | 40MHz | 50MHz | 60-80MHz | 100MHz        | 30MHz | 60MHz |
| GST5009MLF  | -1.0                    | -18                            | -14.4   | -13.1 | -12   | -10      | -40           | -35   | -30   |

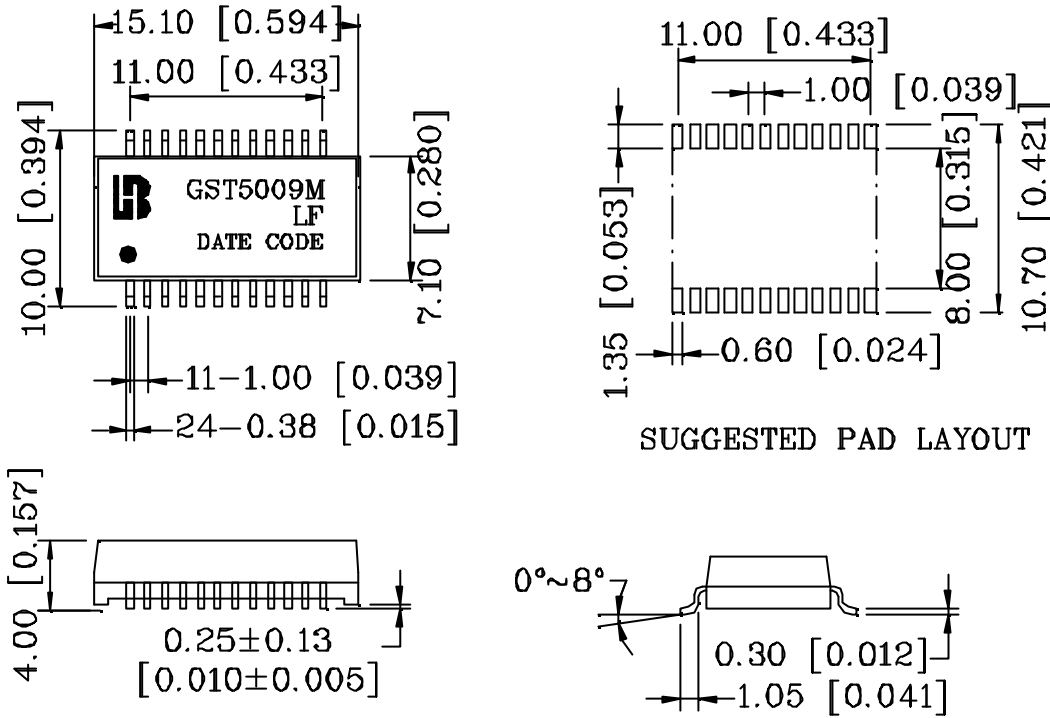
## Schematic



1000 BASE -T MAGNETICS MODULES

P/N: GST5009M LF DATA SHEET

Mechanical



Units: mm[Inches] Tolerances: xx.x0±0.25[0.010]  
 0.xx±0.05[0.002]

单击下面可查看定价，库存，交付和生命周期等信息

[>>Bothhand\(帛汉\(帛漢\)\)](#)