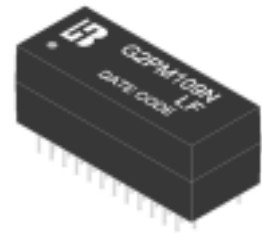


- Designed for Ethernet 100/1000 BASE-T, full duplex applications.
- Supports 8 pairs of category 5 UTP cable.
- Cable interface for isolation and low common mode emissions.
- Compliant with IEEE 802.3ab standard for 1000 BASE-T.
- Compliance with ROHS requirements.
- Operating temperature range: 0 to +70 .
- Storage temperature range: -25 to +85 .

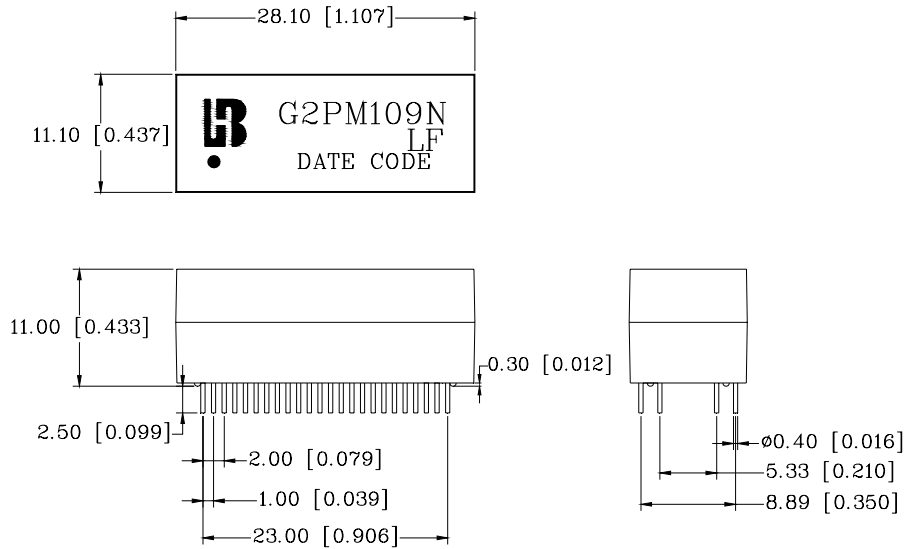


Electrical Specifications @ 25°C								
Part Number	Turns Ratio (±5%)		OCL (uH Min) @100KHz/0.1V with 8mA DC Bias	Cross talk Attenuation (dB Min)			MECH	HI-POT (Vrms)
	TX	RX		30MHz	60MHz	100MHz		
G2PM109N LF	1CT:1CT	1CT:1CT	350	-40	-35	-30	GP-A	1500
G2PM109RN LF	1CT:1CT	1CT:1CT	350	-40	-35	-30	GP-A	1500
G2PM109RNY LF	1CT:1CT	1CT:1CT	350	-40	-35	-30	GP-A	1500

Continue									
Part Number	Insertion Loss (dB Max)	Return Loss (dB Min)@Load 100					DCMR (dB Min)		
		1-100MHz	1-30MHz	40MHz	50MHz	60-80MHz	100MHz	30MHz	60MHz
G2PM109N LF	-1.0	-18	-14.4	-13.1	-12	-10	-43	-37	-33
G2PM109RN LF	-1.0	-18	-14.4	-13.1	-12	-10	-43	-37	-33
G2PM109RNY LF	-1.0	-18	-14.4	-13.1	-12	-10	-43	-37	-33

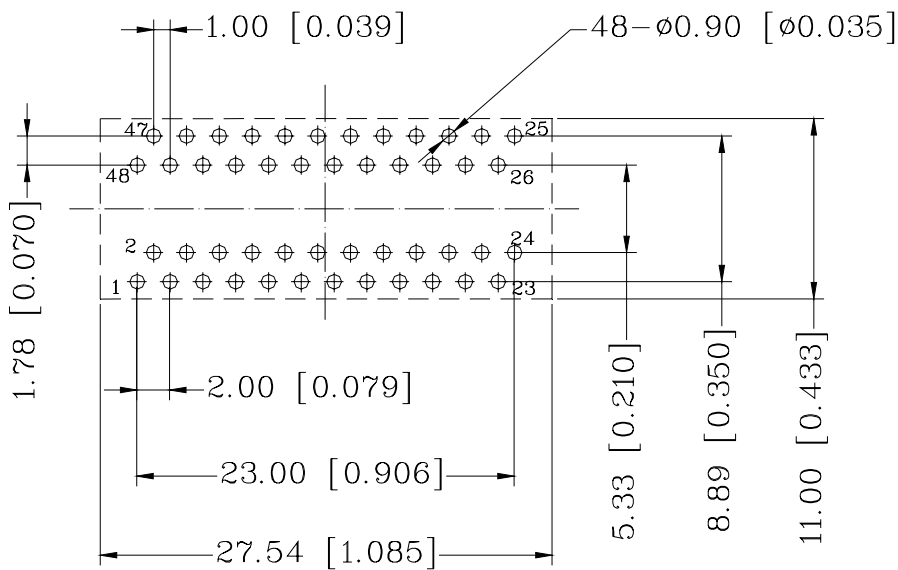
For customized parts or more detailed information, please log on [www.bothhandusa.com](http://www.bothhandusa.com) or write to [sales@bothhandusa.com](mailto:sales@bothhandusa.com)

**Mechanicals**



Units: mm[Inches] Tolerances XX.X0 : ±0.25[0.010]  
0.XX : ±0.05[0.002]

**PCB Layout mounting Hole ( Top View )**

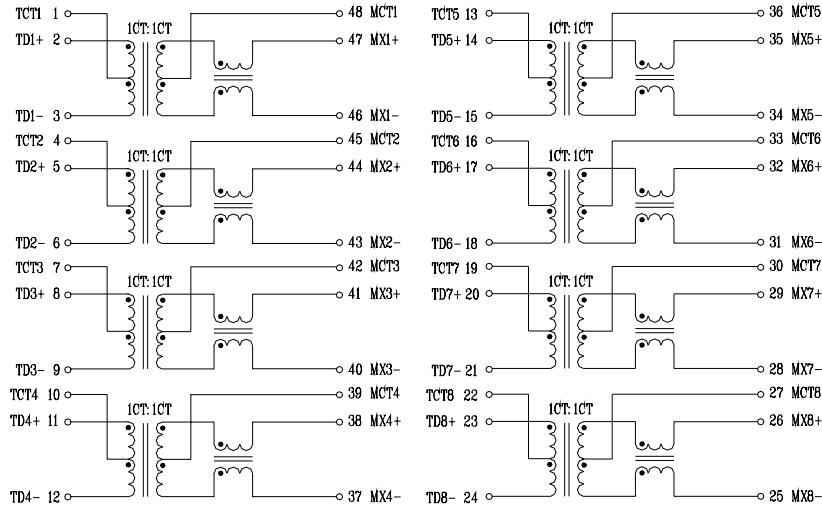


Units: mm[Inches] Tolerance: xx.x0±0.25[0.010]  
0.xx±0.05[0.002]

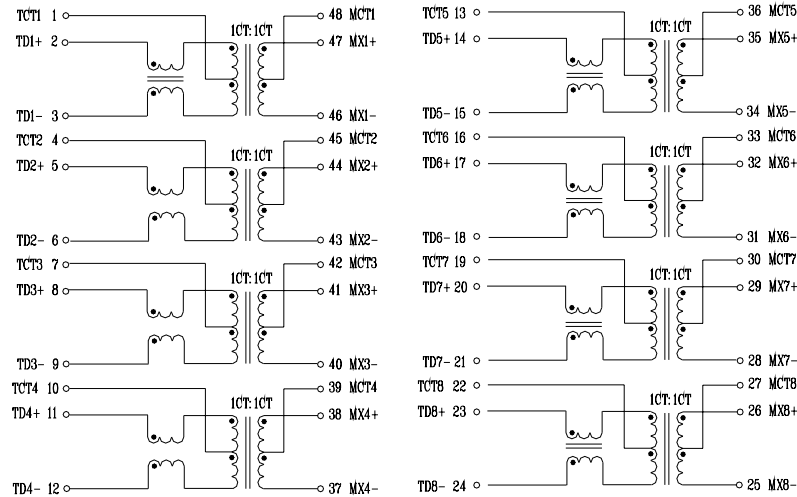
Specification	Packing Manner	Q'ty per Tube/Reel	Q'ty/Inner box	Q'ty/Carton
G2PM	TUBE	18	864	1728

Schematics

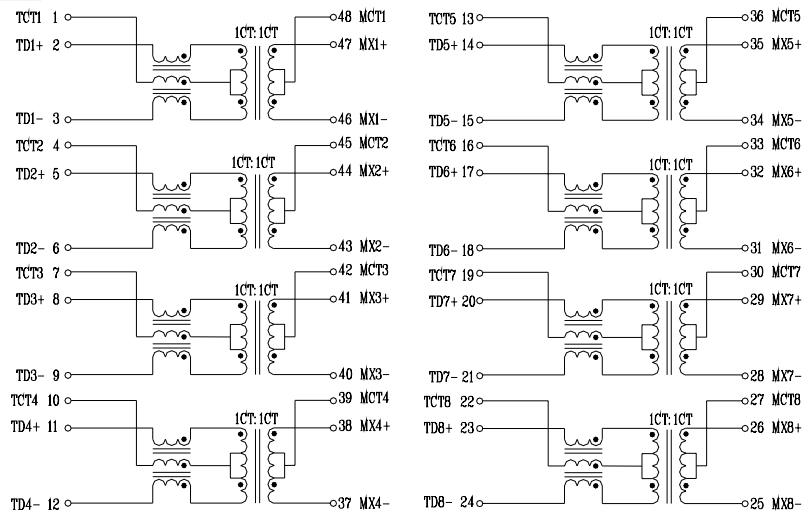
**G2PM109N LF**



**G2PM109RN LF**



**G2PM109RNY LF**



单击下面可查看定价，库存，交付和生命周期等信息

[>>Bothhand\(帛汉\(帛漢\)\)](#)