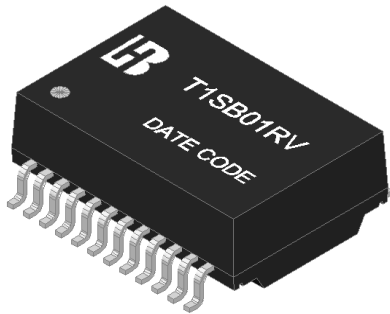


Feature



- Complying with IEEE 802.3an standard.
- POE applications with 1A current capability.
- Complying with IEEE 802.3bt standard.
- Complying with ROHS & Halogen Free requirements.
- Operating temperature range: -40°C to +105°C (Including temperature rise) .
- Storage temperature range: -40°C to +105°C.

Electrical Specifications @ 25°C

Part Number	Turns Ratio (±5%)		OCL (uH Min) @100KHz/0.1V with 16mA DC Bias	L.L (uH Max)	C _{w/w} (pF Max)	DCR (Ω Max)	HI-POT
	TX	RX					
T1SB01RV	1CT:1CT	1CT:1CT	120	0.5	28	1.0	AC1500/1mA

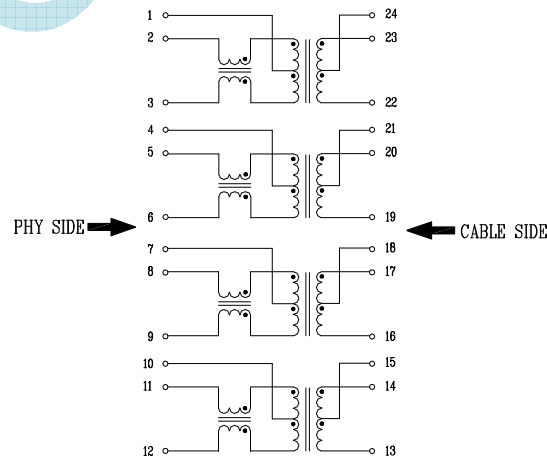
Continue

Part Number	Insertion Loss (dB Max)			Return Loss (dB Min)@ Load 100Ω		
	1-300MHz	400MHz	500MHz	1 ≦ f ≦ 40 MHz	40 < f ≦ 400 MHz	400 < f ≦ 500 MHz
T1SB01RV	-1.0	-1.5	-2.0	-18	-(18-10 log ₁₀ (f/40))	-(8-30 log ₁₀ (f/400))

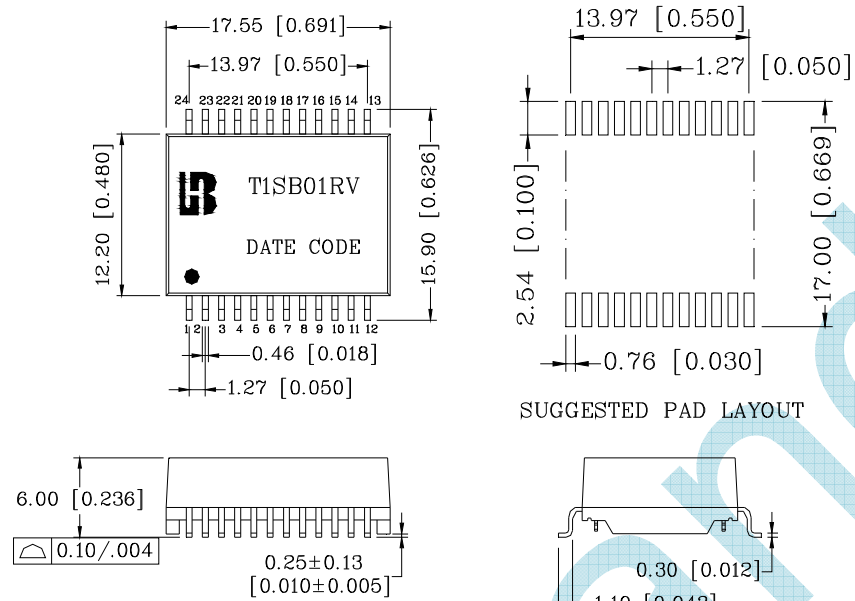
Continue

Part Number	Cross talk (dB Min)		DCMR (dB Min)	
	1-100 MHz	100-500 MHz	1-250MHz	250-500MHz
T1SB01RV	-40	-30	-30	-22

Schematic

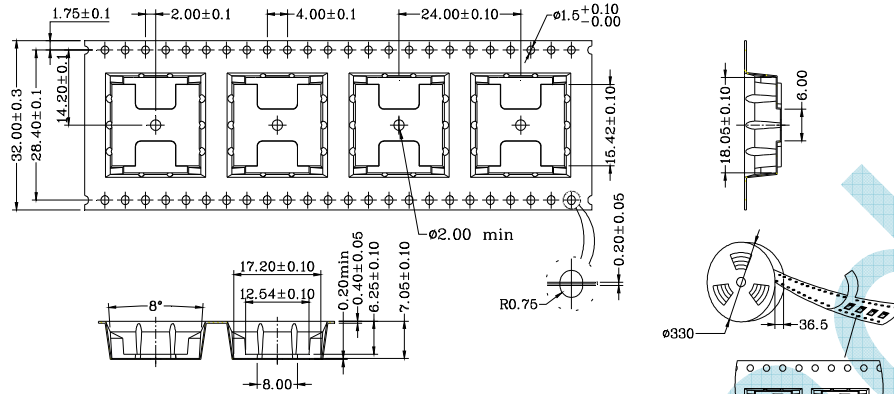


Mechanical



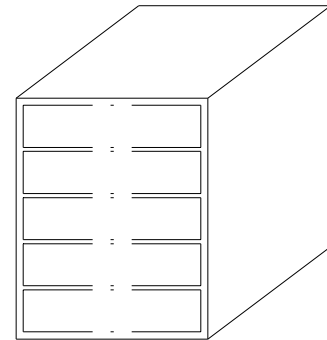
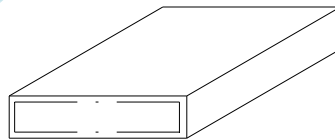
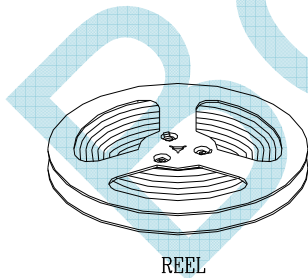
Units: mm [Inches] Tolerances: xx.xx±0.25 [0.010]
0.xx±0.05 [0.002]

REEL PACKAGE



1. 10 sprocket hole pitch cumulative tolerance ±0.20
2. Material : Black Anti-Static polystyrene.
3. All dimensions meet EIA-481-3 requirements
4. Thickness : 0.40±0.05 mm
5. Component load per 13" reel : 350 pcs
6. Carrier camber is within 1 mm in 250 mm
7. Packing length per 22 reel : 29 Meters
8. Comply with Bothhand's <BHKP-WI-44-005> requirements

CARTON PACKAGE



1. 1 Reel=350PCS
2. 1 INNER BOX=1 Reel=350 PCS
3. 1 OUTER CARTON=5 INNER BOX=5*350=1750 PCS

单击下面可查看定价，库存，交付和生命周期等信息

[>>Bothhand\(帛汉\(帛漢\)\)](#)