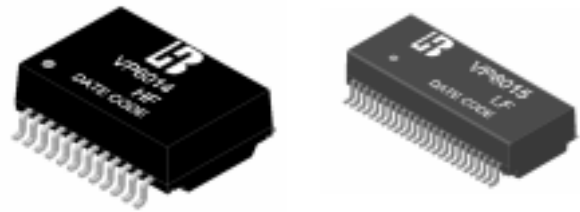


- IEEE 802.3at/ANSI X3.263 compliant performance.
- Suitable for End-span POE applications with 720mA current capability.
- Operating temperature range: 0 to +70 .
- Storage temperature range: -10 to +85 .



Electrical Specifications @ 25									
Part Number	Insertion Loss (dB Max)	Return Loss (dB Min @Load 100 Ω)					DCMR (dB Min)		
		1-100MHz	1-30MHz	40MHz	50MHz	60-80MHz	100MHz	30MHz	60MHz
VP6014 HF	-1.0	-18	-14.4	-13.1	-12	-10	-43	-37	-33
VP6014D HF	-1.0	-18	-14.4	-13.1	-12	-10	-43	-37	-33
VP6015 LF	-1.0	-18	-14.4	-13.1	-12	-10	-43	-37	-33
VP6017 LF	-1.0	-18	-14.4	-13.1	-12	-10	-43	-37	-33
VP7015 LF	-1.0	-18	-14.4	-13.1	-12	-10	-43	-37	-33
VP7015M LF	-1.0	-18	-14.4	-13.1	-12	-10	-43	-37	-33
VP8015 LF	-1.0	-18	-14.4	-13.1	-12	-10	-43	-37	-33

For customized parts or more detailed information, please log on www.bothhandusa.com or write to sales@bothhandusa.com

Continue								
Part Number	Turns Ratio (±5%)		OCL(μH Min) @ 100KHz/0.1V with 8mA DC Bias	Cross talk (dB Min)			Mech	HI-POT
	TX	RX		30MHz	60MHz	100MHz		
VP6014 HF	1CT:1CT	1CT:1CT	350	-45	-40	-35	VP-A	1500
VP6014D HF	1CT:1CT	1CT:1CT	350	-45	-40	-35	VP-A	1500
VP6015 LF	1CT:1CT	1CT:1CT	350	-40	-35	-30	VP-B	1500
VP6017 LF	1CT:1CT	1CT:1CT	350	-40	-35	-30	VP-B	1500
VP7015 LF	1CT:1CT	1CT:1CT	350	-40	-35	-30	VP-B	1500
VP7015M LF	1CT:1CT	1CT:1CT	350	-40	-35	-30	VP-B	1500
VP8015 LF	1CT:1CT	1CT:1CT	350	-40	-35	-30	VP-B	1500

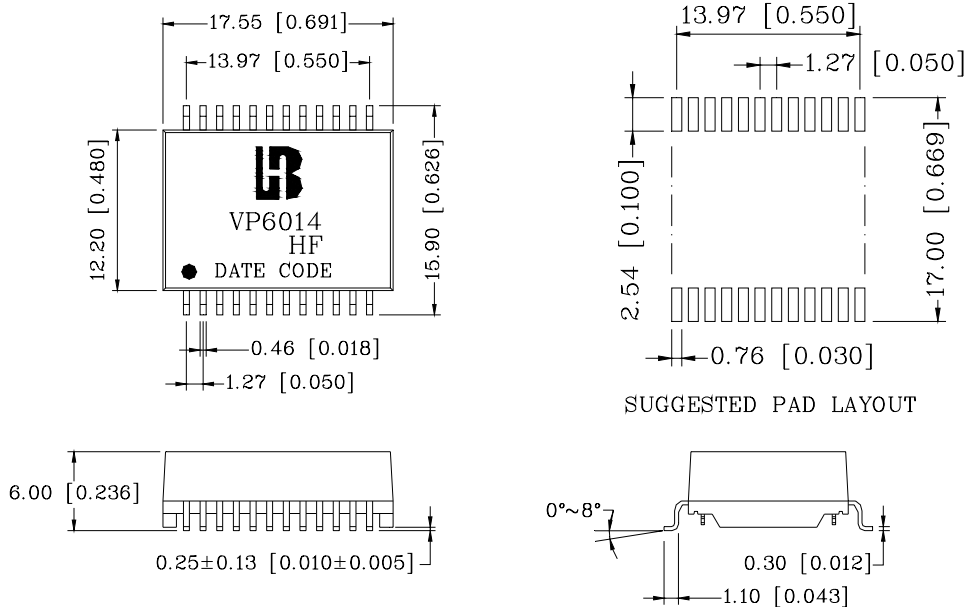
NOTE:

1. Suitable for Auto MDIX application
2. Operating temperature range: -40°C to +85°C.

1000 BASE -T SINGLE PORT VOICE OVER IP MAGNETICS MODULE

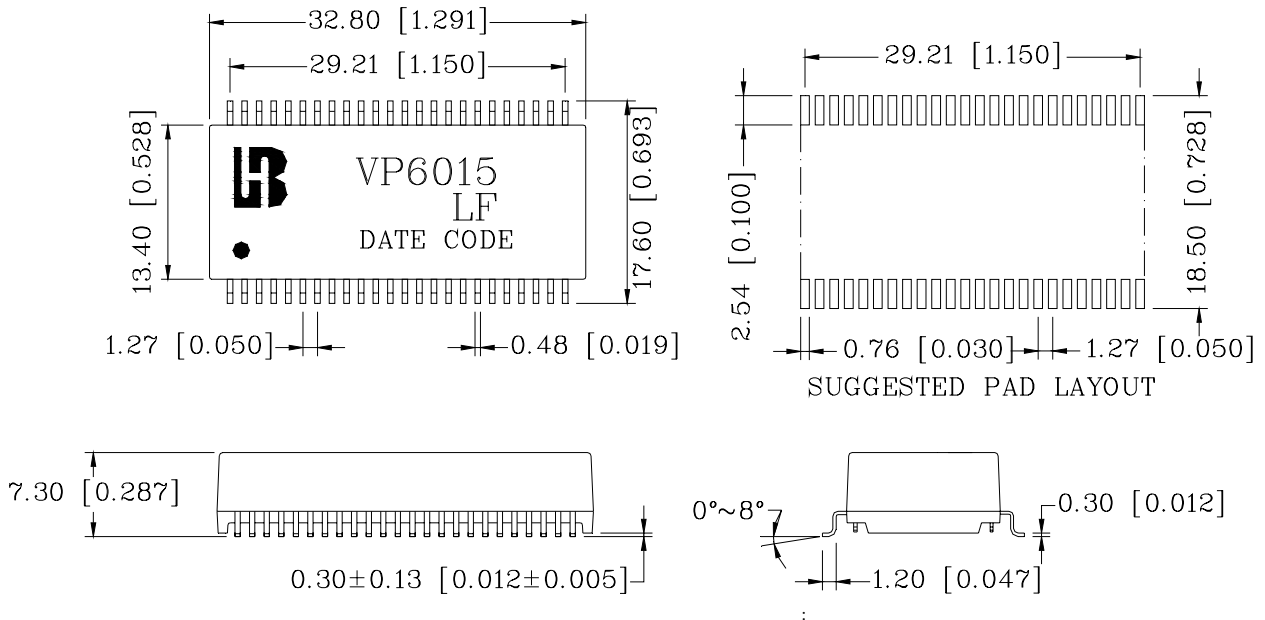
Mechanicals

VP-A



Units: mm[Inches] Tolerances: xx.x0±0.25[0.010]
0.xx±0.05[0.002]

VP-B

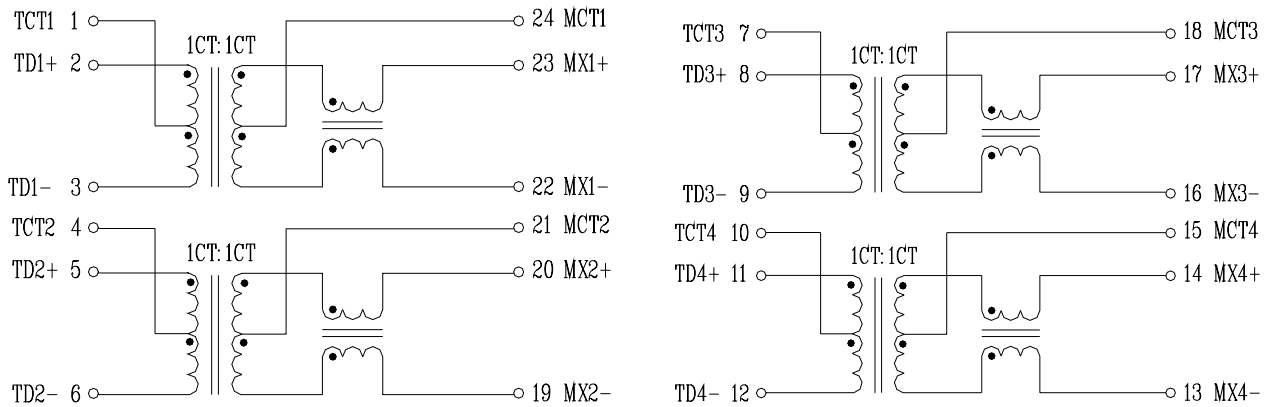


Units: mm[Inches] all Tolerance are ±0.25[0.010]
0.xx±0.05[0.002]

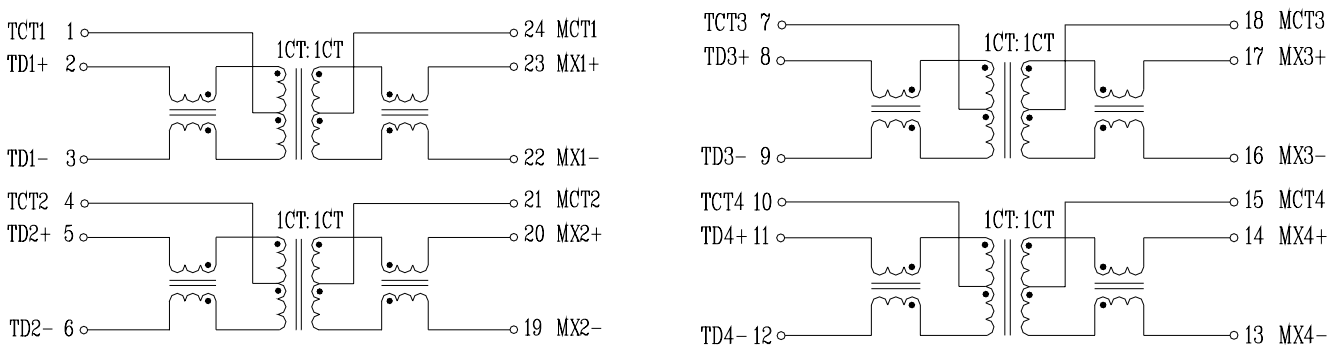
Specification	Packing Manner	Q'ty per Tube/Reel	Q'ty/ Inner box	Q'ty/ Carton
VP-A	REEL	300	300	1500
VP-B	REEL	300	300	1500

Schematics

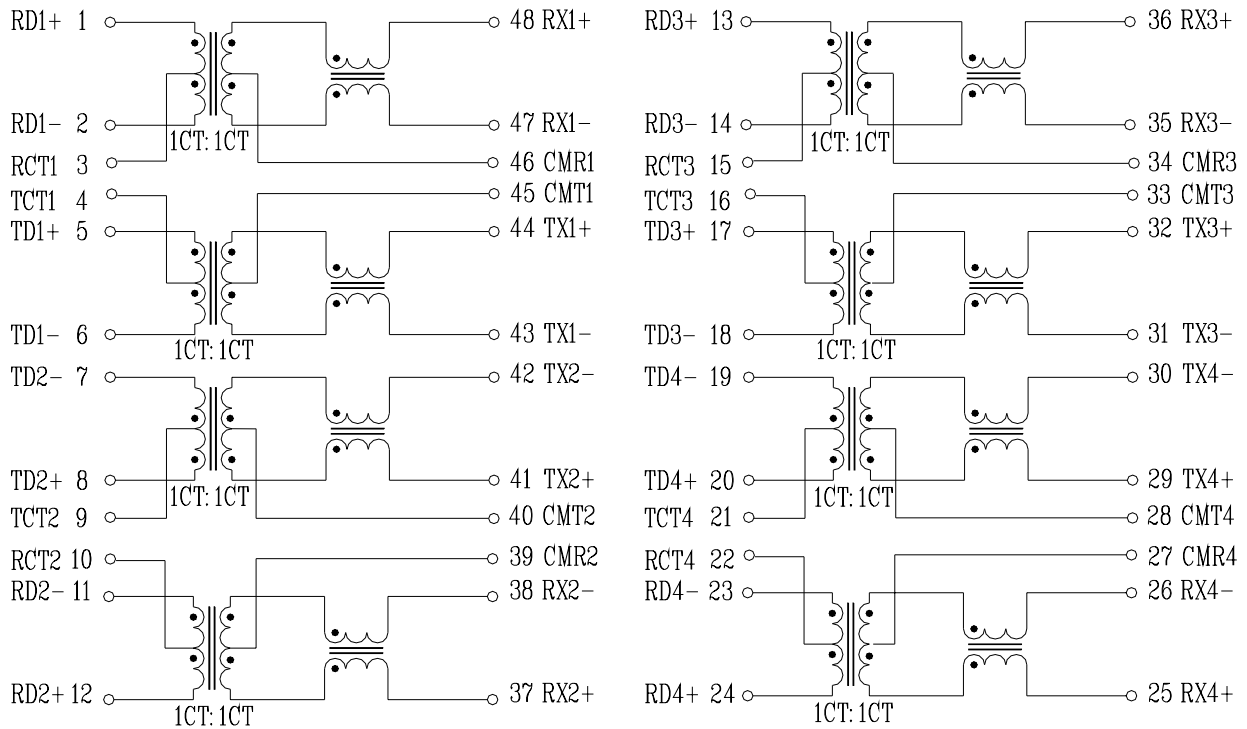
VP6014 HF



VP6014D HF



VP6015 LF / VP6017 LF / VP7015 LF / VP7015M LF / VP8015 LF



单击下面可查看定价，库存，交付和生命周期等信息

[>>Bothhand\(帛汉\(帛漢\)\)](#)