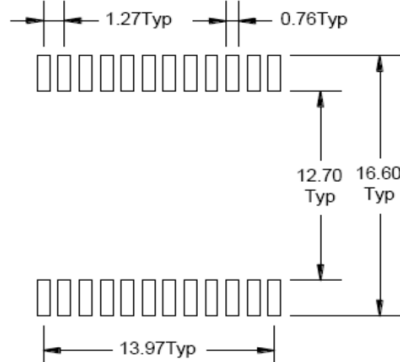
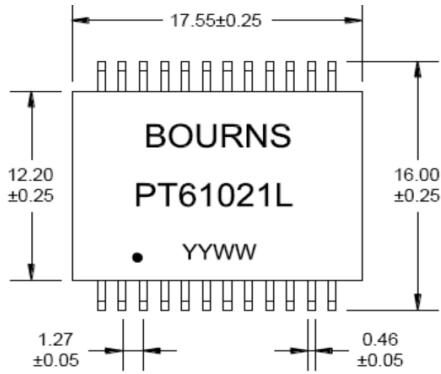
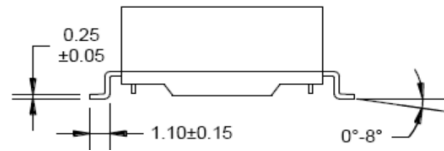
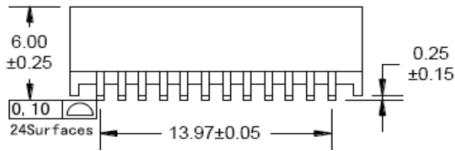


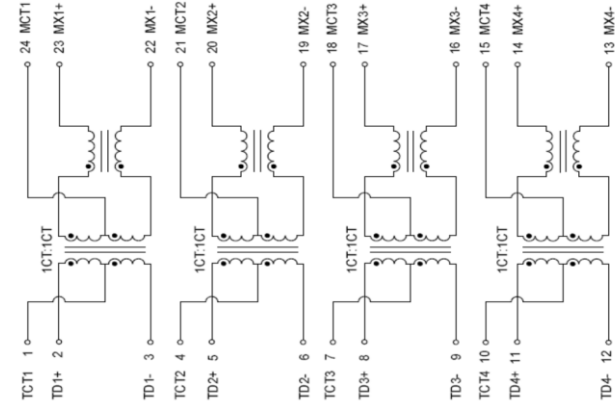
DIMENSIONS:



Suggested PAD Layout



SCHEMATIC:



ELECTRICAL SPECIFICATIONS @ 25°C :

- OCL(TD @ 100 kHz, 0.2V with 8mA DC bias): 350uH Min
- Leakage Inductance(TD,MX short @ 100kHz, 0.2V): 0.5uH Max
- DCR(MX): 1400mΩ Max
- Turns Ratio(TD:MX) = 1CT:1CT ± 5%
- Insertion Loss(TD to MX): -1.1 dB Max @ 0.3-100 MHz
- Return Loss(TD,MX with 100 ohm load):
 - 16 dB Min @ 0.3-40 MHz
 - 10+20*LOG 10(f/80 MHz) dB Min @ 40-100 MHz
- Cross Talk(Between each channel):
 - 35 dB Min @ 0.3-30 MHz
 - 28 dB Min @ 60-100 MHz
- Common Mode Rejection(TD to MX):
 - 40 dB Min @ 0.3-30 MHz
 - 35 dB Min @ 60 MHz
 - 30 dB Min @ 80-100 MHz
- Cww(TD to MX):25pF typ.@100KHz,0.2V
- Isolation Hipot(pri to sec): 1500VAC 1mA 60S
- Operating temperature 0°C to +70°C
- Storage temperature -40°C to +125°C

Bourns Worldwide Contacts:

Asia-Pacific: Tel: +886-2 2562-4117 Fax: +886-2 2562-4116
 EMEA: Tel: +36 88 520 390 Fax: +36 88 520 211
 The Americas: Tel: +1-951 781 5500 Fax: +1-951 781-5700
 www.bourns.com

| | | | | | | | | | |
|-------|--|---|----------------------------------|-----------|-----|-------------|------|--------------|--|
| TITLE | | 10/100/1000 BASE-T SINGLE PORT TRANSFORMER MODULE | | | | UNIT | | MM | |
| | | D | Package q'ty change | 2016/1/29 | | | | | |
| | | C | Revised DCR and package info. | 2015/10/8 | | | | | |
| | | B | Revised RL and add package info. | 2015/9/22 | | | | DWG. NO. | |
| | | A | Released | 2011/9/1 | | | | PT61021L | |
| | | NO. | DESCRIPTION | DATE | NO. | DESCRIPTION | DATE | SHEET 1 OF 2 | |
| | | REVISIONS | | | | | | | |

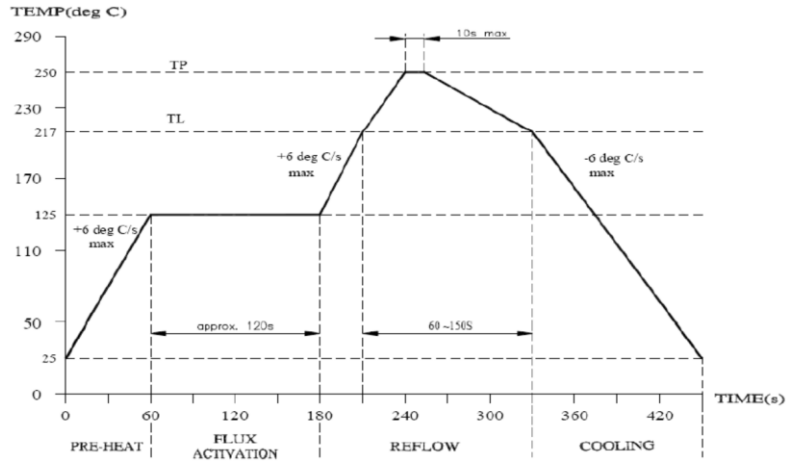


Customer Specification NO.

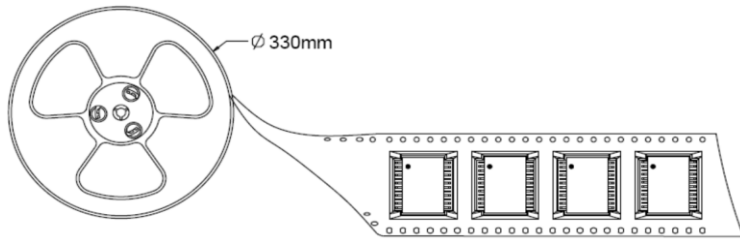
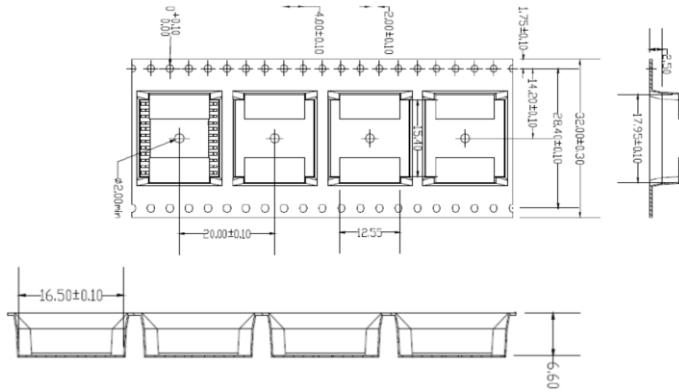
BOURNS Part NO.

PT61021EL

IR REFLOW PROFILE:



PACKAGE INFORMATION:



Package Quantity:

- One Reel=350Pcs
- One Inner Carton=350*2=700Pcs
- One Export Carton=700*2=1400Pcs

| | | | | | | | | | |
|--------------|----------------------------|---|--|-------------|--|----------|--|----------|--|
| TITLE | | 10/100/1000 BASE-T SINGLE PORT TRANSFORMER MODULE | | | | UNIT | | MM | |
| | Customer Specification NO. | | | | | DWG. NO. | | PT61021L | |
| | BOURNS Part NO. | PT61021EL | | | | NO. | | DATE | |
| REVISIONS | | | | | | | | | |
| | | NO. | | DESCRIPTION | | DATE | | DATE | |
| SHEET 2 OF 2 | | | | | | | | | |

单击下面可查看定价，库存，交付和生命周期等信息

[>>Bourns\(伯恩斯\)](#)