

Features

- Fully encapsulated
- Low profile
- Low insertion loss
- Frequency range 10 kHz to 500 MHz
- Impedance levels from 12.5 Ω to 800 Ω (nominal 50 Ω)
- 6 pin DIP and SMD



These series are obsolete and not recommended for new designs.

- RoHS compliant**

RF2, RF3, RF4 Series - Wideband Transformers

Electrical Specifications @ 25 °C

Part Number			Ratio Impedance	Frequency MHz	Insertion Loss			Schematic	
Type D	Type W	Type J			3 dB MHz	2 dB MHz	1 dB MHz		
2-1-1D_	2-1-1W_	2-1-1J_	1	.050-200	.050-200	.080-150	.20-80		
2-1-6D_	2-1-6W_	2-1-6J_	1	.030-300	.030-300	.100-150	.20-50		
2-2-1D_	2-2-1W_	2-2-1J_	2	.070-200	.070-200	.100-100	.50-50		
2-2.5-6D_	2-2.5-6W_	2-2.5-6J_	2.5	.010-100	.010-100	.020-50	.05-20		
2-3-1D_	2-3-1W_	2-3-1J_	3	.050-250	.050-250	.100-200	.50-70		
2-4-1D_	2-4-1W_	2-4-1J_	4	.200-350	.200-350	.350-300	2-100		
2-4-6D_	2-4-6W_	2-4-6J_	4	.020-250	.020-250	.050-150	.10-100		
2-5-1D_	2-5-1W_	2-5-1J_	5	.300-300	.300-300	.600-200	5-100		
2-8-1D_	2-8-1W_	2-8-1J_	8	.030-140	.030-140	.100-90	1-60		
2-13-1D_	2-13-1W_	2-13-1J_	13	.300-120	.300-120	.700-80	5-20		
2-16-6D_	2-16-6W_	2-16-6J_	16	.030-75	.030-75	.060-30	10-20		
3-1-1D_	3-1-1W_	3-1-1J_	1	.150-400	.150-400	.350-200	2-50		
3-1-6D_	3-1-6W_	3-1-6J_	1	.010-150	.010-150	.020-100	.05-50		
3-1.5-1D_	3-1.5-1W_	3-1.5-1J_	1.5	.100-300	.100-300	.200-150	.50-80		
3-1.5-6D_	3-1.5-6W_	3-1.5-6J_	1.5	.020-100	.020-100	.050-50	.10-25		
3-2.5-6D_	3-2.5-6W_	3-2.5-6J_	2.5	.010-100	.010-100	.020-50	.05-20		
3-4-6D_	3-4-6W_	3-4-6J_	4	.020-200	.020-200	.050-150	.10-100		
3-9-1D_	3-9-1W_	3-9-1J_	9	.150-200	.150-200	.300-150	2-40		
3-16-1D_	3-16-1W_	3-16-1J_	16	.300-120	.300-120	.700-80	.50-20		
3-36-1D_	3-36-1W_	3-36-1J_	36	.030-20	.030-20	.050-10	.10-5		
4-1-6D_	4-1-6W_	4-1-6J_	1	.040-500	.040-500	.200-200	1-50		
4-1.5-1D_	4-1.5-1W_	4-1.5-1J_	1.5	.075-500	.075-500	.200-100	.10-50		
4-2.5-6D_	4-2.5-6W_	4-2.5-6J_	2.5	.010-50	.010-50	.025-25	.05-10		
4-4-1D_	4-4-1W_	4-4-1J_	4	.050-200	.050-200	.200-50	1-30		
4-25-1D_	4-25-1W_	4-25-1J_	25	.020-30	.020-30	.050-20	.10-10		

Note

RF2 and RF3 are standard units. RF4 only on request.

Terminal Material: 97Sn/2.5Cu/0.5Ag

Operating Temperature Range: 0 °C to +70 °C
Storage Temperature Range: -40 °C to +85 °C

*RoHS Directive 2002/95/EC Jan. 27, 2003 including annex and RoHS Recast 2011/65/EU June 8, 2011.

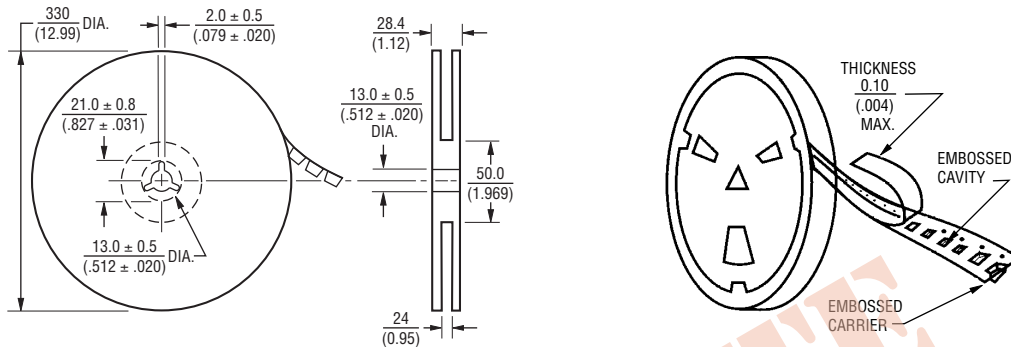
Specifications are subject to change without notice.

The device characteristics and parameters in this data sheet can and do vary in different applications and actual device performance may vary over time. Users should verify actual device performance in their specific applications.

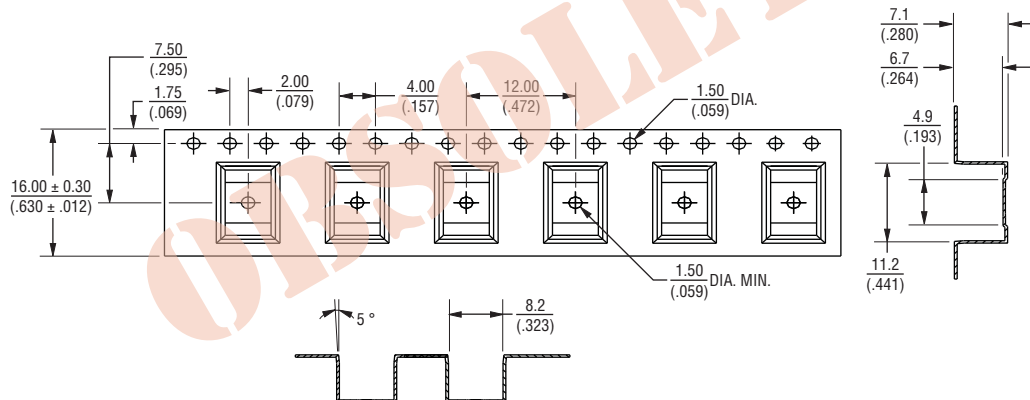
RF2, RF3, RF4 Series - Wideband Transformers

BOURNS®

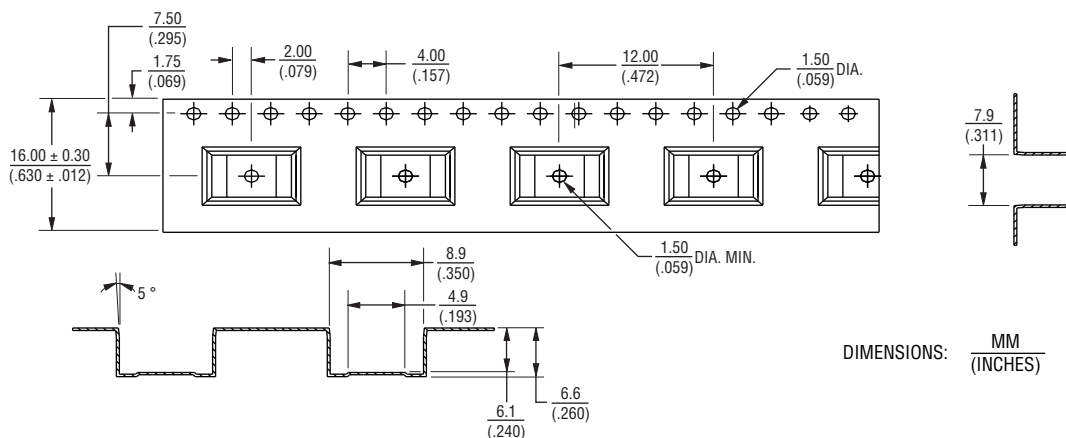
Packaging Dimensions



Tape Dimensions for "W" Type



Tape Dimensions for "J" Type



DIMENSIONS: $\frac{\text{MM}}{\text{(INCHES)}}$

REV. 08/14

Specifications are subject to change without notice. The device characteristics and parameters in this data sheet can and do vary in different applications and actual device performance may vary over time. Users should verify actual device performance in their specific applications.

单击下面可查看定价，库存，交付和生命周期等信息

[>>Bourns\(伯恩斯\)](#)