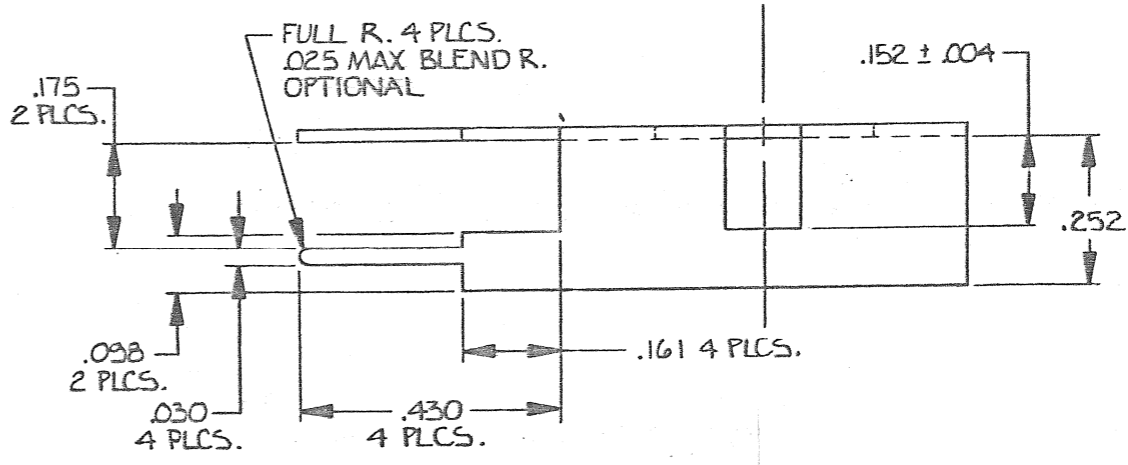
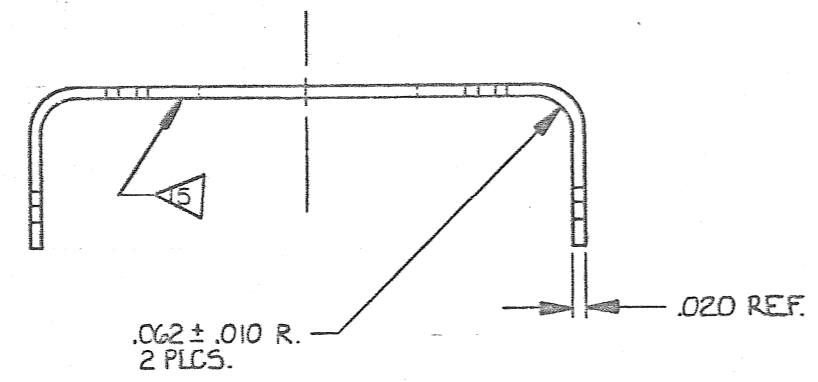
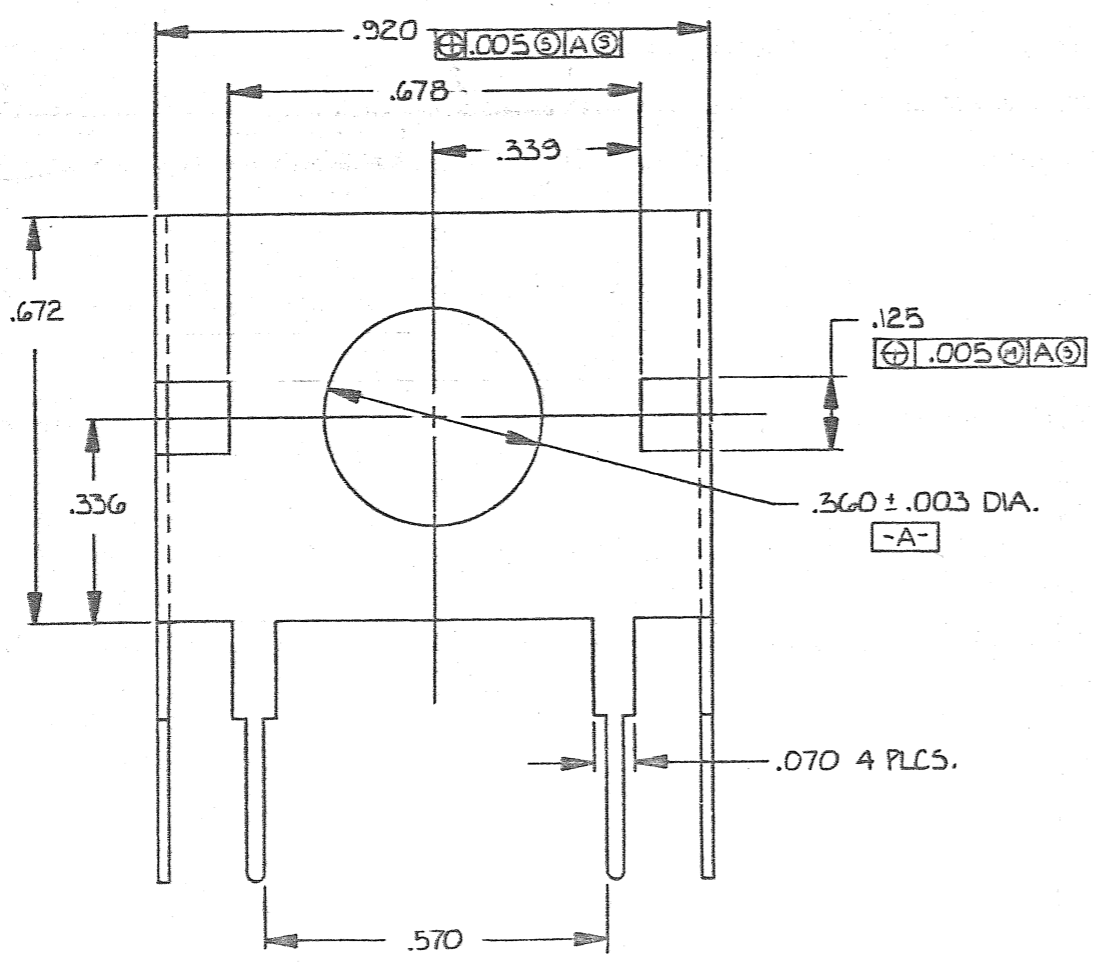


UNCONTROLLED COPY Expires: 6/25/2016

REVISIONS			
REV. LTR.	E.O. NO.	DESCRIPTION	MADE BY / CHECKED BY
A	P2645	RELEASE TO PROTOTYPE	SCP 1/16/87
B	P2790	B1- RELEASE TO TOOLING #.	JL 7/28/87
C	P4677	C1- RELEASED TO PRODUCTION C2- ADDED NOTE 14 C3- ADDED NOTE 15	LU 6/9/91 PW 6/9/91



15. .005 MAX BURR ACCEPTABLE THIS SIDE ONLY.
14. SOLDERABILITY PER MIL STD 202, METHOD 208, EXCEPT COVERAGE TO BE 80%, DISREGARD CUT EDGES OF LEGS.
13. MAT'L TO BE BRASS STRIP CDA 260. 1/2 HARD .020 ± .002 THK. TIN PLATE PER MIL-T-1027 TYPE I .0001 TO .0003 THICK.
12. .010 MAX R. UNLESS OTHERWISE SPECIFIED
- NOTES:**

THIS PRINT DISCLOSES SUBJECT MATTER IN WHICH BOURNS, INC. HAS PROPRIETARY RIGHTS. THE RECEIPT OR POSSESSION OF THIS PRINT DOES NOT CONFER, TRANSFER OR LICENSE THE USE OF THE DESIGN OR TECHNICAL INFORMATION SHOWN HEREIN. REPRODUCTION OF THIS PRINT OR ANY INFORMATION CONTAINED HEREIN OR MANUFACTURE OF ANY ARTICLE THEREFROM, FOR DISCLOSURE TO OTHERS, IS FORBIDDEN, EXCEPT BY SPECIFIC WRITTEN PERMISSION FROM BOURNS, INC.

03168-17701	16140-31302	13
PART NUMBER	MATERIAL	MATERIAL DESCRIPTION
NOTES EXCEPT AS SPECIFIED		
1 DIMENSION IN INCHES (MILLIMETERS) PER ANSI-Y14.5	8 SURFACES SHALL BE FLAT WITHIN .001 IN/IN (0.001 MM/MM)	SIGNATURE DATE
2 ANGLE TOLERANCE ± 1:2°	9 SURFACE ROUGHNESS PER ANSI 419.1 TO BE 50	DRAWN BY S. PARRIS 1/16/87
3 DEBURR EDGES .005 (0.127) MAX (0.051)	10 DIAMETERS WITH SAME CENTERLINE TO BE CONCENTRIC WITHIN .005 (0.127) TIR	CHECKED BY [Signature] 7-10-87
4 MAX BURR PERMITTED .002 (0.051)	11 FEATURES WITH SAME CENTERLINE TO BE SYMMETRICAL WITHIN .005 (0.127)	APP'D BY [Signature] 7-1-87
5 INSIDE RAD .005 (0.127) MAX		TOL. STUDY
6 OUTSIDE RAD .005 (0.127) MAX		APP'D PLNT. MFG.
7 TOLERANCES XX ± .02 (0.50) XXX ± .005 (0.127) XXXX ± .0005 (0.0127)		
MATERIAL 13	HEAT TREAT	FINISH
SCALE 5X		TITLE BOURNS, Inc. PRECISIONS/CONTROLS DIVISION BRACKET
SIZE C	CODE IDENT NO. 57921	DWG. NO. 03168-17700
	MODEL PL00	SHEET 1 OF 1

DRAWING NO. ONLY 03168-17700

单击下面可查看定价，库存，交付和生命周期等信息

[>>Bourns\(伯恩斯\)](#)