

# DATA SHEET

## POSITIVE TEMPERATURE COEFFICIENT AC/DC POWER SUPPLY

### SMD1206 Series

RoHS compliant & Halogen free



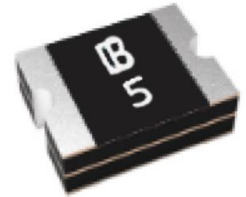
Product specification— November 05, 2024 V.5



## Positive Temperature Coefficient (PTC) Data Sheet

### Description

The 1206 series provides miniature surface mount resettable overcurrent protection with holding current from 0.05A to 2.0A. This series is suitable for wide range of applications in modern electronics where space is limited.



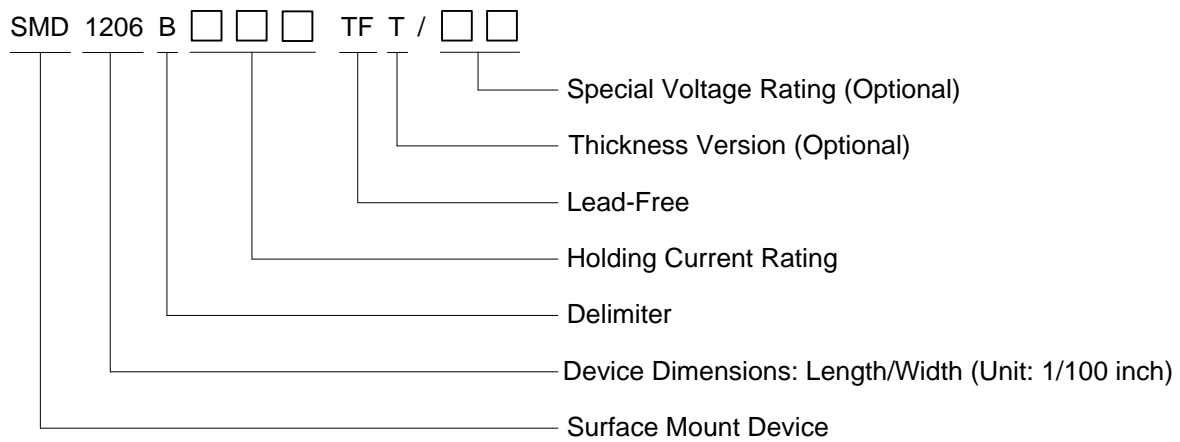
### Features

- RoHS compliant and lead-free
- Fast response to fault current
- UL/CUL/ TUV/ RoHS/Halogen Free
- Low profile
- Compatible with high temperature solders
- Compact design saves board space

### Applications

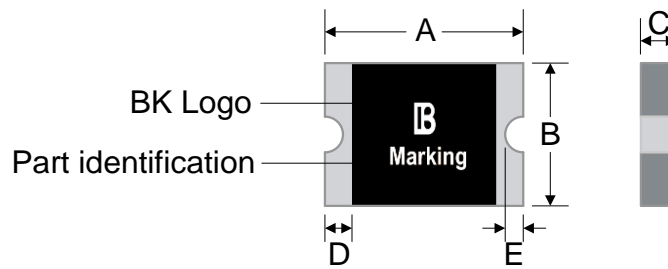
- USB hubs, ports and peripherals
- Set-top-box and HDMI
- Game console port protection
- Motherboard USB & IEEE 1394 protection
- Optical disk drives
- General electronics

### Part Number Code and Marking



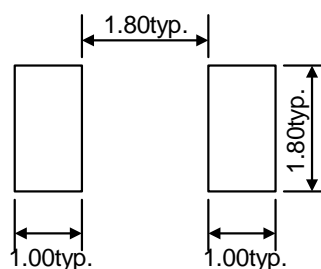
Part Number	Marking	Part Number	Marking	Part Number	Marking
SMD1206B005TF	-	SMD1206B020TF/30	23	SMD1206B075TF/13.2	07
SMD1206B005TF/60	-	SMD1206B025TF	02	SMD1206B075TF/16	71
SMD1206B010TF	0	SMD1206B025TF/24	02	SMD1206B110TFT	C
SMD1206B010TF/60	06	SMD1206B035TF/16	03	SMD1206B110TF/16	1C
SMD1206B012TF	1	SMD1206B035TF/30	33	SMD1206B150TFT	15
SMD1206B012TF/48	12	SMD1206B050TF	05	SMD1206B175TF	17
SMD1206B016TF	01	SMD1206B050TF/15	5	SMD1206B200TF	20
SMD1206B016TF/48	04	SMD1206B050TF/24	52	/	/
SMD1206B020TF/24	2	SMD1206B075TFT	07	/	/

**Dimensions and PAD-SIZE**



Part Number	A		B		C		D		E	
	Min.	Max.	Min.	Max.	Min.	Max.	Min.	Max.	Min.	Max.
SMD1206B005TF	3.00	3.40	1.50	1.80	0.70	1.20	0.25	0.75	0.05	0.45
SMD1206B005TF/60	3.00	3.40	1.50	1.80	0.75	1.25	0.25	0.75	0.05	0.45
SMD1206B010TF	3.00	3.40	1.50	1.80	0.65	1.15	0.25	0.75	0.05	0.45
SMD1206B010TF/60	3.00	3.40	1.37	1.80	0.60	1.00	0.25	0.75	0.05	0.45
SMD1206B012TF	3.00	3.40	1.50	1.80	0.65	1.15	0.25	0.75	0.05	0.45
SMD1206B012TF/48	3.00	3.40	1.50	1.80	0.45	0.95	0.25	0.75	0.05	0.45
SMD1206B016TF	3.00	3.40	1.50	1.80	0.65	1.15	0.25	0.75	0.05	0.45
SMD1206B016TF/48	3.00	3.40	1.37	1.80	0.62	1.00	0.25	0.75	0.05	0.45
SMD1206B020TF/24	3.00	3.40	1.50	1.80	0.50	1.00	0.25	0.75	0.05	0.45
SMD1206B020TF/30	3.00	3.40	1.50	1.80	0.35	0.85	0.25	0.75	0.05	0.45
SMD1206B025TF	3.00	3.40	1.50	1.80	0.50	1.00	0.25	0.75	0.05	0.45
SMD1206B025TF/24	3.00	3.40	1.50	1.80	0.50	1.00	0.25	0.75	0.05	0.45
SMD1206B035TF/16	3.00	3.40	1.50	1.80	0.45	0.95	0.25	0.75	0.05	0.45
SMD1206B035TF/30	3.00	3.40	1.50	1.80	0.70	1.20	0.25	0.75	0.05	0.45
SMD1206B050TF	3.00	3.40	1.50	1.80	0.45	0.95	0.25	0.75	0.05	0.45
SMD1206B050TF/15	3.00	3.40	1.50	1.80	0.65	1.15	0.25	0.75	0.05	0.45
SMD1206B050TF/24	3.00	3.40	1.50	1.80	0.70	1.20	0.25	0.75	0.05	0.45
SMD1206B075TFT	3.00	3.40	1.50	1.80	0.55	1.05	0.25	0.75	0.05	0.45
SMD1206B075TF/13.2	3.00	3.40	1.50	1.80	0.90	1.70	0.25	0.75	0.05	0.45
SMD1206B075TF/16	3.00	3.40	1.50	1.80	0.90	1.70	0.25	0.75	0.05	0.45
SMD1206B110TFT	3.00	3.40	1.50	1.80	0.55	1.05	0.25	0.75	0.05	0.45
SMD1206B110TFT/16	3.00	3.40	1.50	1.80	0.60	1.40	0.25	0.75	0.05	0.45
SMD1206B150TFT	3.00	3.40	1.50	1.80	0.85	1.65	0.25	0.75	0.05	0.45
SMD1206B175TF	3.00	3.40	1.50	1.80	0.85	1.65	0.25	0.75	0.05	0.45
SMD1206B200TF	3.00	3.40	1.50	1.80	0.85	1.65	0.25	0.75	0.05	0.45

Recommended Pad Layout (mm)



## Electrical Characteristics

Part Number	I <sub>hold</sub> (A)	I <sub>trip</sub> (A)	V <sub>max</sub> (Vdc)	I <sub>max</sub> (A)	P <sub>d typ.</sub> (W)	Maximum Time To Trip		Resistance	
						Time (Sec.)	Current (A)	R <sub>min</sub> (Ω)	R <sub>1max</sub> (Ω)
SMD1206B005TF	0.05	0.15	30.0	100	0.6	0.25	1.5	3.60	50.0
SMD1206B005TF/60	0.05	0.15	60.0	100	0.6	0.25	1.5	3.60	50.0
SMD1206B010TF	0.10	0.27	30.0	100	0.6	0.20	1.5	1.50	15.0
SMD1206B010TF/60	0.1	0.25	60	100	0.8	1.0	0.5	1.6	15.0
SMD1206B012TF	0.12	0.29	30.0	100	0.6	0.20	1.0	1.50	6.0
SMD1206B012TF/48	0.125	0.29	48.0	10	0.6	0.20	1.0	1.50	6.0
SMD1206B016TF	0.16	0.37	30.0	100	0.6	0.30	1.0	1.20	4.50
SMD1206B016TF/48	0.16	0.45	48	100	0.5	0.3	1.0	1.0	5.0
SMD1206B020TF/24	0.20	0.42	24.0	100	0.6	0.10	8.0	0.65	2.60
SMD1206B020TF/30	0.20	0.42	30.0	100	0.6	0.10	8.0	0.65	2.60
SMD1206B025TF	0.25	0.50	16.0	100	0.6	0.08	8.0	0.55	2.30
SMD1206B025TF/24	0.25	0.55	24.0	100	0.6	0.08	8.0	0.55	2.30
SMD1206B035TF/16	0.35	0.75	16.0	100	0.6	0.10	8.0	0.30	1.20
SMD1206B035TF/30	0.35	0.75	30.0	100	0.6	0.10	8.0	0.30	1.20
SMD1206B050TF	0.50	1.0	6.0	100	0.6	0.10	8.0	0.15	0.70
SMD1206B050TF/15	0.50	1.0	15.0	100	0.6	0.10	8.0	0.15	0.75
SMD1206B050TF/24	0.50	1.0	24.0	100	0.6	0.10	8.0	0.15	0.75
SMD1206B075TFT	0.75	1.50	8.0	100	0.6	0.20	8.0	0.09	0.35
SMD1206B075TF/13.2	0.75	1.50	13.2	100	0.6	0.20	8.0	0.09	0.35
SMD1206B075TF/16	0.75	1.50	16.0	100	0.6	0.20	8.0	0.09	0.35
SMD1206B110TFT	1.10	2.20	8.0	100	0.8	0.10	8.0	0.04	0.21
SMD1206B110TF/16	1.10	2.20	16.0	100	0.8	0.10	8.0	0.06	0.21
SMD1206B150TFT	1.50	3.00	8.0	100	0.8	0.30	8.0	0.03	0.12
SMD1206B175TF	1.75	3.50	6.0	100	0.8	0.50	8.0	0.02	0.09
SMD1206B200TF	2.00	3.50	6.0	100	0.8	1.50	8.0	0.018	0.08

## Note on Electrical Characteristics

### ■ Vocabulary

- I<sub>hold</sub> = Hold current: maximum current device will pass without tripping in 23°C still air.
- I<sub>trip</sub> = Trip current: minimum current at which the device will trip in 23°C still air.
- V<sub>max</sub> = Maximum voltage device can withstand without damage at rated current (I<sub>max</sub>)
- I<sub>max</sub> = Maximum fault current device can withstand without damage at rated voltage (V<sub>max</sub>)
- P<sub>d typ.</sub> = Typical power dissipated from device when in the tripped state at 23°C still air.
- R<sub>min</sub> = Minimum resistance of device in initial (un-soldered) state.
- R<sub>1max</sub> = Maximum resistance of device at 23°C measured one hour after tripping or reflow soldering of 260°C for 20 sec.

■ Value specified is determined by using the PWB with 0.090"×1.5oz copper traces.

■ Caution: Operation beyond the specified rating may result in damage and possible arcing and flame.

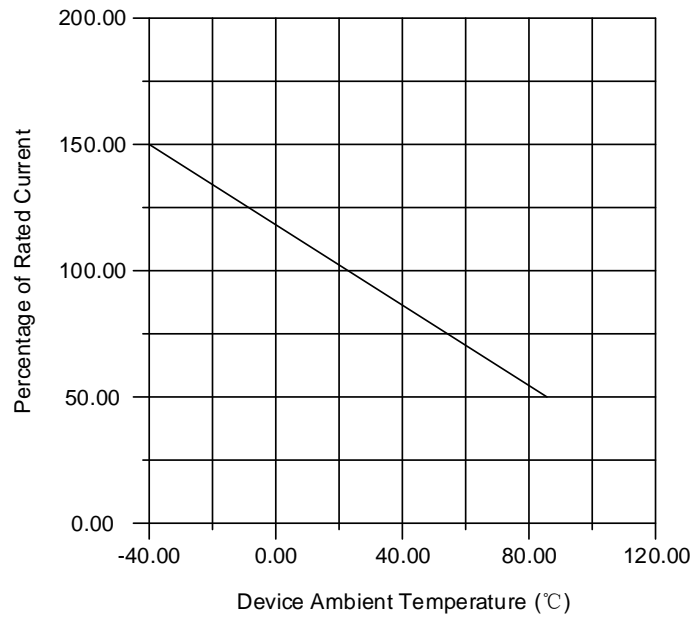
## Polymeric PTC Selecting Guide

- Determine the following operating parameters for the circuits:
  - Normal operating current ( $I_{hold}$ )
  - Maximum interrupt current ( $I_{max}$ )
  - Maximum circuit voltage ( $V_{max}$ )
  - Normal operating temperature surrounding device (min°C/max°C)
- Select the device from factor and dimension suitable for the application
- Compare the maximum rating for  $V_{max}$  and  $I_{max}$  of the PPTC device with the circuit in application and make sure the circuit's requirement does not exceed the device rating.
- Check that PPTC device's trip time (time-to-trip) will protect the circuit.
- Verify that the circuit operating temperature is within the PPTC device's normal operating temperature range.
- Verify that performance and suitability of the chosen PPTC device in the application.

## WARNING

- Mechanical Stress
  - PPTC devices will undergo a thermal expansion during fault condition. If PPTC devices are installed or placed in an application where the space between PPTC devices and the surrounding materials (e.g., covering materials, packaging materials, encapsulate materials and the like) is insufficient, it will cause an inhibiting effect upon the thermal expansion. Pressing, twisting, bending and other kinds of mechanical stress will also adversely affect the performance of the PPTC devices, and shall not be used or applied.
- Chemical Pollutants
  - Silicone-based oils, oils, solvents, gels, electrolytes, fuels, acids, and the like will adversely affect the properties of PPTC devices, and shall not be used or applied.
- Electronic and Thermal Effect
  - PPTC devices are secondary protection devices and are used solely for sporadic, accidental over-current or over-temperature error condition, and shall NOT be used if or when constant or repeated fault conditions (such fault conditions may be caused by, among others, incorrect pin-connection of a connector) or over-extensive trip events may occur.
  - PPTC devices are different from fuses and, when a fault condition occurs, will go into high-resistance state and do not open circuit, in which case the voltage at such PPTC devices may reach a hazardous level.
  - Operation over the maximum rating or other forms of improper use may cause failure, arcing, flame and/or other damage to the PPTC devices.
  - Conductive material contamination, such as metal particle, may induce shortage, flame or arcing.
  - Due to the inductance, the operation circuits may generate a circuit voltage ( $Ldi/dt$ ) above the rated voltage of PPTC devices, which shall not be used under such circumstances.
- General
  - Customers shall evaluate and test the properties of PPTC devices independently to verify and ensure that their individual applications will be met.
  - The performance of PPTC devices will be adversely affected if they are improperly used under electronic, thermal and/or mechanical procedures and/or conditions non-conformant to those recommended by manufacturer.
  - Customers shall be responsible for determining whether it is necessary to have back-up, failsafe and/or fool-proof protection To avoid or minimize damage that may result from extra-ordinary, irregular function or failure of PPTC devices.
  - Any and all responsibilities and liabilities are disclaimed if any item under this notice of warning is not complied with.

### Thermal Derating Curve



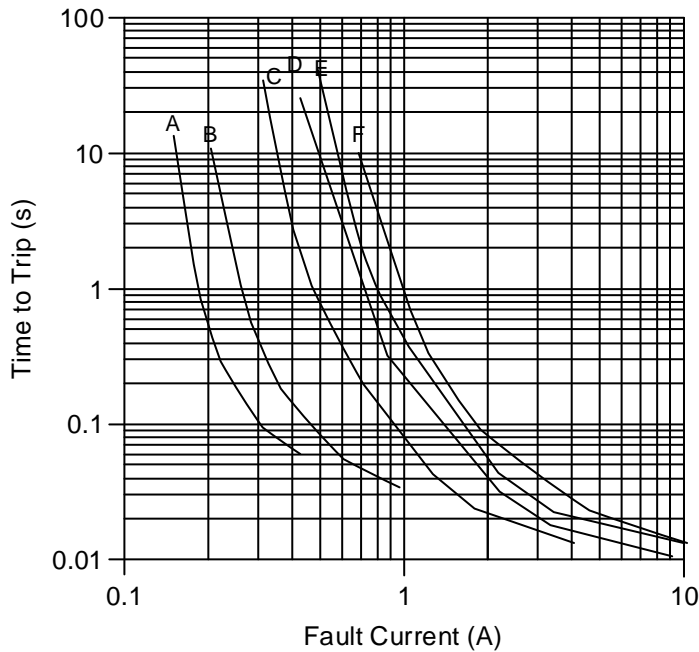
### Thermal Derating Chart

Recommended Hold Current (A) at Ambient Temperature (°C)

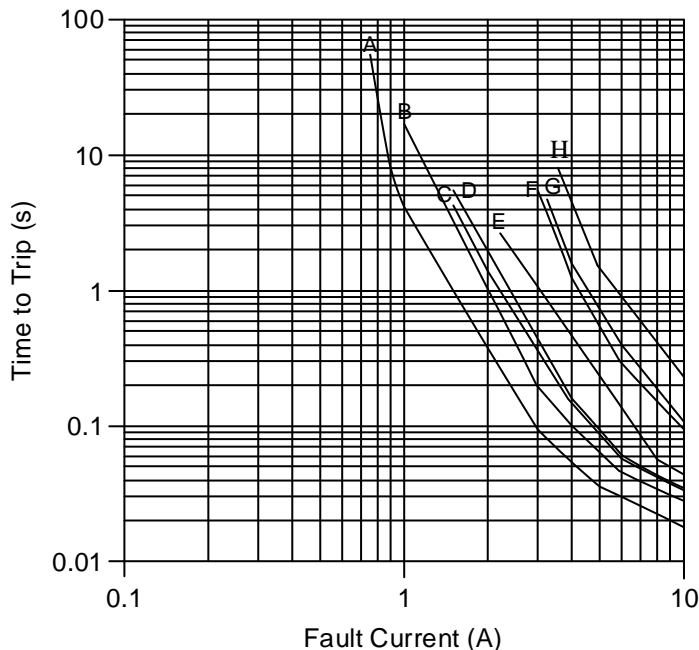
Part Number	Ambient Operation Temperature								
	-40°C	-20°C	0°C	23°C	40°C	50°C	60°C	70°C	85°C
SMD1206B005TF	0.074	0.066	0.058	0.050	0.043	0.038	0.035	0.030	0.028
SMD1206B005TF/60	0.074	0.066	0.058	0.050	0.043	0.038	0.035	0.030	0.028
SMD1206B010TF	0.180	0.160	0.140	0.100	0.100	0.090	0.080	0.070	0.050
SMD1206B010TF/60	0.150	0.140	0.120	0.100	0.090	0.080	0.070	0.060	0.050
SMD1206B012TF	0.180	0.160	0.140	0.125	0.100	0.090	0.080	0.070	0.050
SMD1206B012TF/48	0.180	0.160	0.140	0.125	0.100	0.090	0.080	0.070	0.050
SMD1206B016TF	0.220	0.200	0.180	0.160	0.140	0.120	0.100	0.090	0.080
SMD1206B016TF/48	0.210	0.200	0.180	0.160	0.140	0.130	0.120	0.110	0.090
SMD1206B020TF/24	0.280	0.250	0.230	0.200	0.170	0.150	0.140	0.120	0.090
SMD1206B020TF/30	0.280	0.250	0.230	0.200	0.170	0.150	0.140	0.120	0.090
SMD1206B025TF	0.370	0.330	0.290	0.250	0.220	0.200	0.170	0.150	0.120
SMD1206B025TF/24	0.370	0.330	0.290	0.250	0.220	0.200	0.170	0.150	0.120
SMD1206B035TF/16	0.500	0.450	0.400	0.350	0.300	0.270	0.240	0.210	0.150
SMD1206B035TF/30	0.50	0.450	0.400	0.350	0.300	0.270	0.240	0.210	0.150
SMD1206B050TF	0.710	0.640	0.570	0.500	0.420	0.390	0.350	0.310	0.250
SMD1206B050TF/15	0.710	0.640	0.570	0.500	0.420	0.390	0.350	0.310	0.250
SMD1206B050TF/24	0.710	0.640	0.570	0.500	0.420	0.390	0.350	0.310	0.250

Part Number	Ambient Operation Temperature								
	-40°C	-20°C	0°C	23°C	40°C	50°C	60°C	70°C	85°C
SMD1206B075TFT	1.140	1.010	0.880	0.750	0.650	0.590	0.540	0.490	0.410
SMD1206B075TF/13.2	1.140	1.010	0.880	0.750	0.650	0.590	0.540	0.490	0.410
SMD1206B075TF/16	1.140	1.010	0.880	0.750	0.650	0.590	0.540	0.490	0.410
SMD1206B110TFT	1.640	1.460	1.300	1.100	0.920	0.830	0.800	0.650	0.520
SMD1206B110TF/16	1.640	1.460	1.300	1.100	0.920	0.830	0.800	0.650	0.520
SMD1206B150TFT	2.200	1.990	1.770	1.500	1.340	1.230	1.100	1.010	0.840
SMD1206B175TF	2.500	2.250	2.000	1.750	1.550	1.450	1.350	1.250	1.100
SMD1206B200TF	2.600	2.440	2.350	2.000	1.780	1.670	1.500	1.450	1.200

**Average Time-Current Curve**

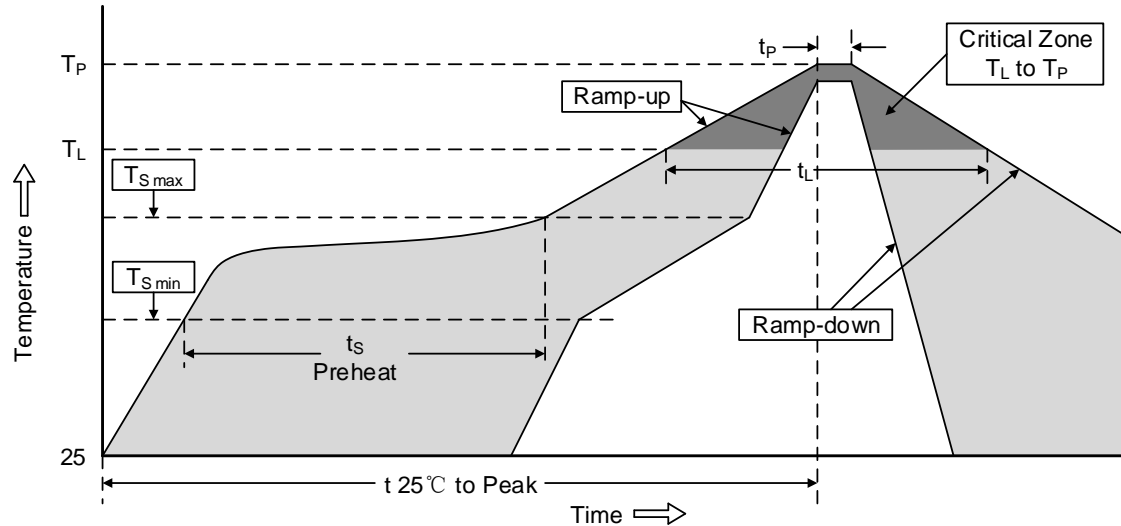


- A-SMD1206B005TF  
SMD1206B005TF/60
- B-SMD1206B010TF  
SMD1206B010TF/60
- C-SMD1206B012TF  
SMD1206B012TF/48
- D-SMD1206B016TF  
SMD1206B016TF/48
- E-SMD1206B020TF/24  
SMD1206B020TF/30
- F-SMD1206B025TF  
SMD1206B025TF/24



- A-SMD1206B035TF/16  
SMD1206B035TF/30
- B-SMD1206B050TF  
SMD1206B050TF/15  
SMD1206B050TF/24
- C-SMD1206B075TFT
- D-SMD1206B075TF/13.2  
SMD1206B075TF/16
- E-SMD1206B110TFT  
SMD1206B110TF/16
- F-SMD1206B150TFT
- G-SMD1206B175TF
- H-SMD1206B200TF

**Soldering Parameters**



Profile Feature	Pb-Free Assembly
Average ramp-up rate ( $T_{S\ max}$ to $T_P$ )	3°C/second max.
Preheat -Temperature Min ( $T_{S\ min}$ ) -Temperature Max ( $T_{S\ max}$ ) -Time (min to max) ( $T_{S\ min}$ to $T_{S\ max}$ )	150°C 200°C 60-180 seconds
Time maintained above: -Temperature ( $T_L$ ) -Time ( $t_L$ )	217°C 60-150 seconds
Peak Temperature ( $T_P$ )	260°C
Time within 5°C of actual Peak Temperature ( $t_p$ )	20-40 seconds
Ramp-down Rate	6°C/second max.
Time 25°C to Peak Temperature	8 minutes max.

- Recommended reflow methods: IR, vapor phase oven, hot air oven, N<sub>2</sub> environment for lead-free
- Recommended maximum paste thickness is 0.25mm (0.010 inch)
- Device can be cleaned using standard industry methods and solvents.

Note 1: All temperature refer to topside of the package, measured on the package body surface.

Note 2: If reflow temperatures exceed the recommended profile, devices may not meet the performance requirements.



## Environmental Specifications

Operating temperature	-40°C to +85°C
Maximum Device Surface Temperature in Tripped State	125°C
Passive Aging	+85°C, 1000 hours ±50% typical resistance change
Humidity Aging	+85°C, 85%RH, 1000 hours ±50% typical resistance change
Thermal Shock	MIL-STD-202, Method 107G +85°C/-40°C 20 times -50% typical resistance change
Solvent Resistance	MIL-STD-202, Method 215 No change
Vibration	MIL-STD-883C, Method 2007.1, Condition A No change
Moisture Level Sensitivity	Level 1, J-STD-020C

## Physical Specifications

Terminal Material	Solder-Plated Copper (Solder Material: Matte Tin (Sn))
Terminal Solderability	Meets EIA Specification RS186-9E, ANSI/J-STD-002 Category 3.

## Packaging

Part Number	Quantity	Part Number	Quantity	Part Number	Quantity
SMD1206B005TF	3000	SMD1206B020TF/30	4000	SMD1206B075TF/13.2	2000
SMD1206B005TF/60	3000	SMD1206B025TF	4000	SMD1206B075TF/16	2000
SMD1206B010TF	4000	SMD1206B025TF/24	4000	SMD1206B110TFT	4000
SMD1206B010TF/60	4000	SMD1206B035TF/16	4000	SMD1206B110TF/16	3000
SMD1206B012TF	4000	SMD1206B035TF/30	3000	SMD1206B150TFT	2000
SMD1206B012TF/48	4000	SMD1206B050TF	4000	SMD1206B175TF	2000
SMD1206B016TF	4000	SMD1206B050TF/15	3000	SMD1206B200TF	2000
SMD1206B016TF/48	4000	SMD1206B050TF/24	3000	/	/
SMD1206B020TF/24	4000	SMD1206B075TFT	4000	/	/

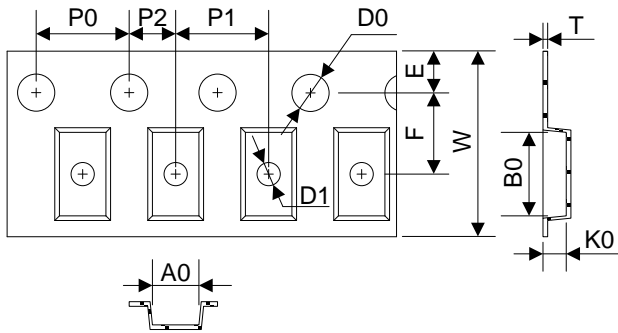
© 8mm tape on 7 inch reel per EIA-481 (equivalent to IEC286, part 3)

Tape

Dimensions (mm)

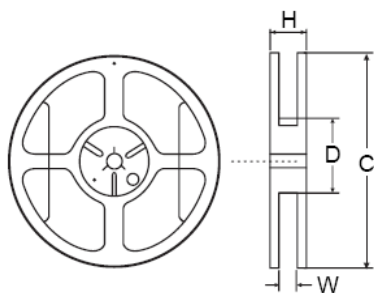
Symbol

B010TF, B010TF/60, B012TF, B012TF/48, B016TF,016TF/48, B020TF/24, B020TF/30 B025TF, B025TF/24 B035TF/16,B050TF B075TFT,B110TFT	B005TF B005TF/60 B035TF/30 B050TF/15 B050TF/24 B110TF/16	B075TF/13.2 B075TF/16 B150TFT B175TF B200TF
--	---	---



W	8.00±0.30	8.00±0.30	8.00±0.30
F	3.50±0.05	3.50±0.05	3.50±0.05
E	1.75±0.10	1.75±0.10	1.75±0.10
D0	1.55±0.05	1.55±0.05	1.55±0.05
D1	1.00±0.10	1.00±0.10	1.00±0.10
P0	4.00±0.10	4.00±0.10	4.00±0.10
P1	4.00±0.10	4.00±0.10	4.00±0.10
P2	2.00±0.05	2.00±0.05	2.00±0.05
A0	1.95±0.10	1.92±0.10	1.95±0.10
B0	3.65±0.10	3.65±0.10	3.65±0.10
T	0.20±0.10	0.25±0.10	0.25±0.10
K0	0.87±0.10	1.30±0.10	1.70±0.10
Leader min.	390	390	390
Trailer min.	160	160	160

Reel



C	Φ178.0±1.0
D	Φ60.2±0.5
H	11.0±0.5
W	9.0±1.5

## LEGAL DISCLAIMER

YAGEO, its distributors and agents (collectively, "YAGEO"), hereby disclaims any and all liabilities for any errors, inaccuracies or incompleteness contained in any product related information, including but not limited to product specifications, datasheets, pictures and/or graphics. YAGEO may make changes, modifications and/or improvements to product related information at any time and without notice.

YAGEO makes no representation, warranty, and/or guarantee about the fitness of its products for any particular purpose or the continuing production of any of its products. To the maximum extent permitted by law, YAGEO disclaims (i) any and all liability arising out of the application or use of any YAGEO product, (ii) any and all liability, including without limitation special, consequential or incidental damages, and (iii) any and all implied warranties, including warranties of fitness for a particular purpose, non -infringement and merchantability.

YAGEO products are designed for general purpose applications under normal operation and usage conditions. Please contact YAGEO for the applications listed below which require especially high reliability for the prevention of defects which might directly cause damage to the third party's life, body or property: Aerospace equipment (artificial satellite, rocket, etc.), Atomic energy-related equipment, Aviation equipment, Disaster prevention equipment, crime prevention equipment, Electric heating apparatus, burning equipment, Highly public information network equipment, data-processing equipment , Medical devices, Military equipment, Power generation control equipment, Safety equipment, Traffic signal equipment, Transportation equipment and Undersea equipment, or for any other application or use in which the failure of YAGEO products could result in personal injury or death, or serious property damage. Particularly **YAGEO Corporation and its affiliates do not recommend the use of commercial, automotive, and/or COTS grade products for high reliability applications or manned space flight.**

Information provided here is intended to indicate product specifications only. YAGEO reserves all the rights for revising this content without further notification, as long as products are unchanged. Any product change will be announced by PCN.

单击下面可查看定价，库存，交付和生命周期等信息

[>>Brightking\(君耀电子\)](#)