

DATA SHEET

GAS DISCHARGE TUBES
TELEPHONE INTERFACE

2R-8x6(D1) series

RoHS compliant & free



Product specification— July 12, 2023 V.1



Gas Discharge Tube (GDT) Data Sheet

Features

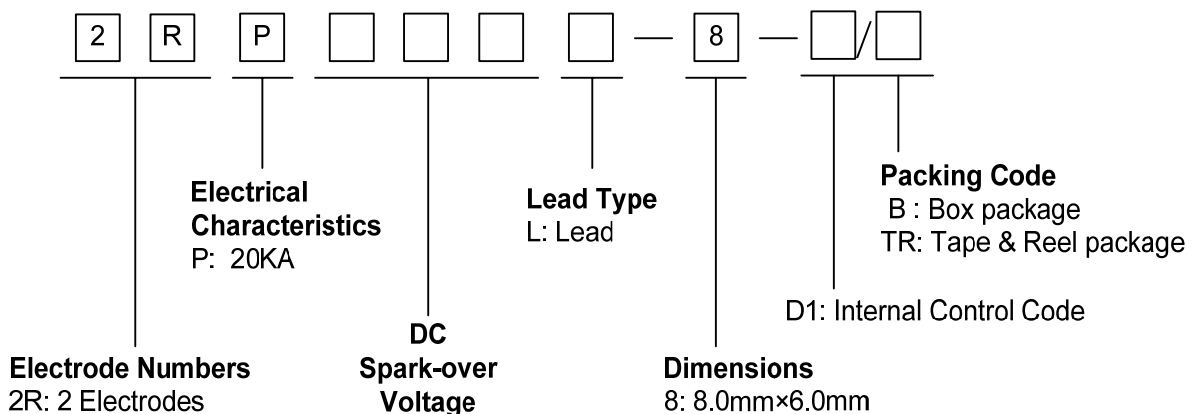
- Provide ultra-fast response to surge voltage from slow-rising surge of 100V/s to rapid-rising surge of 1KV/μs
- Stable breakdown voltage
- High insulation resistance
- Low capacitance (≤1.5pF)
- High holdover voltage
- Large absorbing transient current capability
- Micro-Gap Design
- Size: 8.0mm*6.0mm
- Storage and operating temperature: -40°C ~ +85°C
- Meets MSL level 1, per J-STD-020
- Safety certification: UL



Applications

- Repeaters, Modems
- Telephone Interface, Line cards
- Data communication equipment
- Line test equipment

Part Number Code



Ordering Code	Lead type	Package
2RPXXL-8-D1/B	Lead	Box(Tray)
2RPXXL-8-D1/TR	Lead	Tape & Reel

Marking

B : BrightKing Logo
 2RP090-8 : Device Marking Code
 XXXX : Internal Control Code

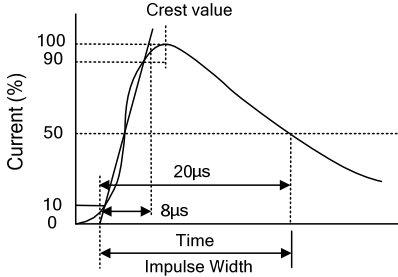
Dimensions

L Type	Symbol	Dimension (mm)	
		Spec.	Tolerance
	D	8.0	+0.3, -0.5
	T	6.0	+0.3, -0.5
	d	1.0	±0.1
	L	30.0	Max.

Characteristics

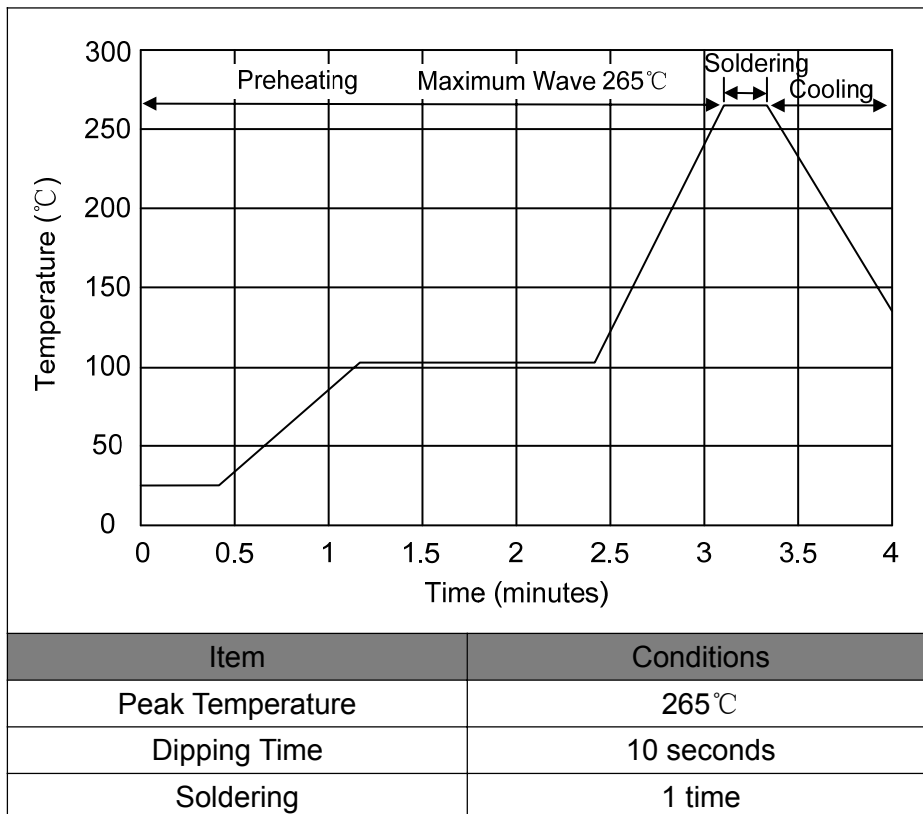
Part Number	DC Spark-over Voltage	Maximum Impulse Spark-over Voltage	Nominal Impulse Discharge Current	Alternating Discharge Current	Impulse Life	Minimum Insulation Resistance		Maximum Capacitance	Device Marking Code
	100V/s	1000V/μs	8/20μs 10times	50Hz, 1sec	10/1000μs 100A	Test Voltage	(GΩ)	1MHz	
	(V)	(V)	(KA)	(A)	(times)	DC(V)		(pF)	
2RP075L-8-D1	75±20%	600	20	20	500	25	1.0	1.5	2RP075-8
2RP090L-8-D1	90±20%	600	20	20	500	50	1.0	1.5	2RP090-8
2RP145L-8-D1	145±20%	700	20	20	500	100	1.0	1.5	2RP145-8
2RP150L-8-D1	150±20%	700	20	20	500	100	1.0	1.5	2RP150-8
2RP230L-8-D1	230±20%	700	20	20	500	100	1.0	1.5	2RP230-8
2RP250L-8-D1	250±20%	800	20	20	500	100	1.0	1.5	2RP250-8
2RP300L-8-D1	300±20%	900	20	20	500	100	1.0	1.5	2RP300-8
2RP350L-8-D1	350±20%	900	20	20	500	100	1.0	1.5	2RP350-8
2RP400L-8-D1	400±20%	1000	20	20	500	100	1.0	1.5	2RP400-8
2RP470L-8-D1	470±20%	1100	20	20	500	250	1.0	1.5	2RP470-8
2RP600L-8-D1	600±20%	1300	20	20	500	250	1.0	1.5	2RP600-8
2RP800L-8-D1	800±20%	1500	20	20	500	250	1.0	1.5	2RP800-8

Electrical Ratings

Items	Test Condition/Description	Requirement
DC Spark-over Voltage	The voltage is measured with voltage ramp $dv/dt=100V/s$.	To meet the specified value
Maximum Impulse Spark-over Voltage	The maximum impulse spark-over voltage is measured with voltage ramp $dv/dt=1000V/\mu s$.	
Impulse Discharge Current	<p>Maximum 8/20μs surge current that can be applied between two electrodes, 5 positive and 5 negative surges, with 3 minutes interval time.</p> 	
Alternating Discharge Current	Rated RMS value of AC current at 50Hz, 1 sec. for 10 times with interval time 3 min.	
Insulation Resistance	The resistance of gas tube shall be measured between two electrodes.	
Capacitance	The capacitance of gas tube shall be measured between two electrodes. Test frequency: 1MHz	

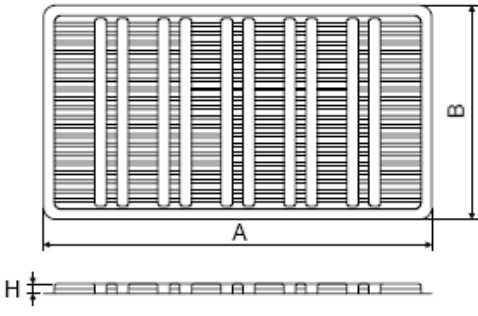
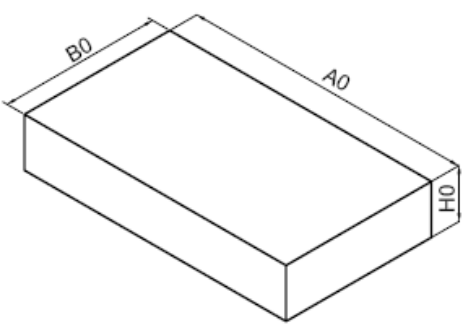
Recommended Soldering Conditions

Wave Soldering

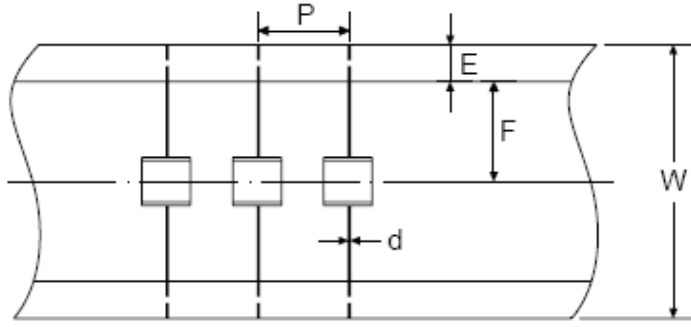
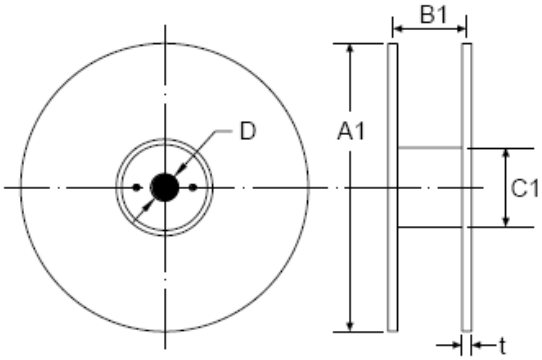


Packaging

Axial Packing (Box)

Skin packing		Dimension (mm)		
		Symbol	Spec.	Tolerance
		A	267.0	±2.0
		B	146.0	±2.0
		H	8.5	±1.0
Quantity: 100pcs				
Inner box		A0	270.0	±2.0
		B0	150.0	±2.0
		H0	50.0	±2.0
		Quantity: 500pcs		

Axial Packing (Tape & Reel)

Tape		Dimension (mm)		
		Symbol	Spec.	Tolerance
		P	10.0	±0.5
		W	65.0	±1.0
		E	6.0	±0.5
		F	26.5	±0.5
		d	1.0	±0.1
Reel		A1	330.0	±2.0
		B1	70.0	±2.0
		C1	82.0	±2.0
		D	25.0	±0.5
		t	3.0	±0.2
		Quantity: 800pcs		

Legal Disclaimer

YAGEO, its distributors and agents (collectively, "YAGEO"), hereby disclaims any and all liabilities for any errors, inaccuracies or incompleteness contained in any product related information, including but not limited to product specifications, datasheets, pictures and/or graphics. YAGEO may make changes, modifications and/or improvements to product related information at any time and without notice.

YAGEO makes no representation, warranty, and/or guarantee about the fitness of its products for any particular purpose or the continuing production of any of its products. To the maximum extent permitted by law, YAGEO disclaims (i) any and all liability arising out of the application or use of any YAGEO product, (ii) any and all liability, including without limitation special, consequential or incidental damages, and (iii) any and all implied warranties, including warranties of fitness for a particular purpose, non-infringement and merchantability.

YAGEO products are designed for general purpose applications under normal operation and usage conditions. Please contact YAGEO for the applications listed below which require especially high reliability for the prevention of defects which might directly cause damage to the third party's life, body or property: Aerospace equipment (artificial satellite, rocket, etc.), Atomic energy-related equipment, Aviation equipment, Disaster prevention equipment, crime prevention equipment, Electric heating apparatus, burning equipment, Highly public information network equipment, data-processing equipment, Medical devices, Military equipment, Power generation control equipment, Safety equipment, Traffic signal equipment, Transportation equipment and Undersea equipment, or for any other application or use in which the failure of YAGEO products could result in personal injury or death, or serious property damage. Particularly **YAGEO Corporation and its affiliates do not recommend the use of commercial, automotive, and/or COTS grade products for high reliability applications or manned space flight.**

Information provided here is intended to indicate product specifications only. YAGEO reserves all the rights for revising this content without further notification, as long as products are unchanged. Any product change will be announced by PCN.

单击下面可查看定价，库存，交付和生命周期等信息

[>>Brightking\(君耀电子\)](#)