



BCT1013

1.2A, 1.5MHz Synchronous Step-Down Converter

BCT1013

1.2A, 1.5MHz Synchronous Step-Down Converter

GENERAL DESCRIPTION

The BCT1013 is a high efficiency, high frequency synchronous DC-DC step-down converter. The 100% duty cycle feature provides low dropout operation, extending battery life in portable systems.

The internal synchronous switch increases efficiency and eliminates the need for external Schottky diode. At shutdown mode, the input supply current is less than 1 μ A.

The BCT1013 integrates current limit, output Short protection and thermal protection.

The BCT1013 is available in Green SOT23-5 ,DFN2x2-6L package, It operates over an ambient temperature range of -40 $^{\circ}$ C to +85 $^{\circ}$ C .

FEATURES

- 2.5V~5.5V Input Voltage Range
- 1.2A Output Current
- 1.5MHz Switching Frequency Minimizes the External Components
- Up to 95% efficiency
- 100% Duty Cycle in Dropout Operation
- Output Voltage as Low as 0.6V
- No Schottky Diode Required
- Internal soft-start
- Output short protection
- Output Auto-Discharge When EN Low
- Thermal protection
- SOT23-5, DFN2x2-6L Packages

APPLICATIONS

- Cellular and Smart Phones
- Portable Instruments
- Digital Cameras
- Set Top Box
- LCD TV

ORDERING INFORMATION

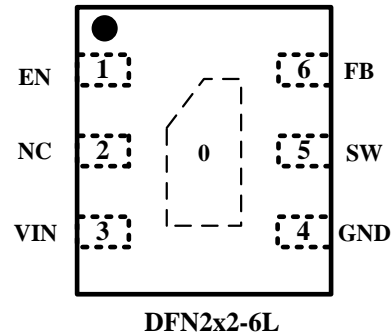
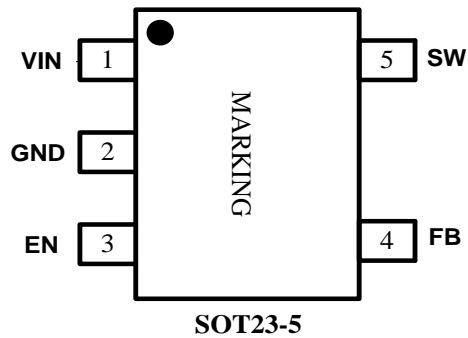
Order Number	Package Type	Temperature Range	Marking	QTY/Reel
BCT1013EUK-TR	SOT23-5	-40 $^{\circ}$ C to +85 $^{\circ}$ C	PKXX	3000
BCT1013ELT-TR	DFN2x2-6L	-40 $^{\circ}$ C to +85 $^{\circ}$ C	1013 XXXX	3000

Note:

"XX" in Marking will be appeared as the batch code.

"XXXX" in Marking will be appeared as the batch code.

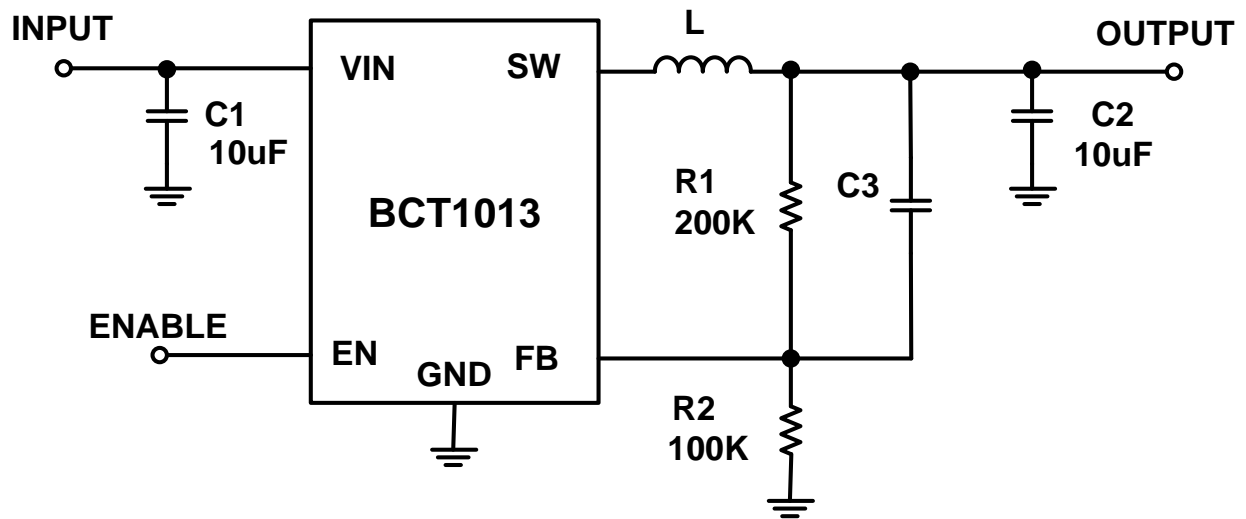
PIN CONFIGURATION (Top View)



PIN DESCRIPTION

PIN		NAME	FUNCTION
SOT23-5	DFN2x2-6L		
1	3	VIN	Power Supply Input. Must be closely decoupled to GND with a 4.7 μ F or greater ceramic capacitor.
2	0, 4	GND	Power ground pin.
3	1	EN	Drive EN pin high to turn on the regulator and low to turn off the regulator.
4	6	FB	Output feedback pin. FB senses the output voltage and is regulated by the control loop to 0.6V. Connect a resistive divider at FB.
5	5	SW	Power Switching Output. Connect an inductor to the drains of internal high side PMOS and low side NMOS.
-	2	NC	No Connect

Typical Operating Circuit (V_{OUT}=1.8V)





BCT1013

1.2A, 1.5MHz Synchronous Step-Down Converter

ABSOLUTE MAXIMUM RATINGS

Input Supply Voltage.....	-0.3V to 6.5V
EN, FB ,SW PIN	-0.3V to VIN+0.3V
Power Dissipation, P _D @T _A =25°C	
SOT23-5.....	0.48W
DFN2x2-6L.....	0.9W
Package Thermal Resistance	
SOT23-5, θ _{JA}	260°C/W
DFN2x2-6L, θ _{JA}	140°C/W
Junction Temperature.....	150°C
Storage Temperature Range.....	-65°C to 150°C
Lead Temperature (Soldering, 10 sec).....	260°C

RECOMMENDED OPERATING CONDITIONS

Operating Voltage Range.....	2.5V to 5.5V
Operating Temperature Range	-40°C to +85°C

OVERSTRESS CAUTION

Stresses beyond those listed under “Absolute Maximum Ratings” may cause permanent damage to the device. These are stress ratings only, and functional operation of the device at these or any other conditions beyond those indicated in the operational sections of the specifications is not implied. Exposure to absolute maximum rating conditions for extended periods may affect device reliability.

ESD SENSITIVITY CAUTION

This integrated circuit can be damaged by ESD if you don't pay attention to ESD protection. Broadchip recommends that all integrated circuits be handled with appropriate precautions. Failure to observe proper handling and installation procedures can cause damage. ESD damage can range from subtle performance degradation to complete device failure. Precision integrated circuits may be more susceptible to damage because very small parametric changes could cause the device not to meet its published specifications.

DISCLAIMER

Broadchip reserves the right to make any change in circuit design, specification or other related things if necessary without notice at any time. Please contact Broadchip sales office to get the latest datasheet.

ELECTRICAL CHARACTERISTICS

(VIN= 5V, TA = 25°C, unless otherwise specified.)

PARAMETER	SYM	CONDITIONS	MIN	TYP	MAX	UNITS
V _{IN} Input Supply Voltage	V _{IN}		2.5		5.5	V
V _{IN} UVLO Threshold	V _{IN_MIN}	V _{IN} Rising		2.4		V
V _{IN} Under Voltage Lockout Threshold Hysteresis	V _{IN_MIN_HYST}	V _{IN} Falling		200		mV
Shutdown Supply Current	I _{SD}	V _{EN} =0V			1	uA
Supply Current	I _Q	V _{EN} =5V, V _{FB} =0.63V		40		uA
Feedback Voltage	V _{FB}		0.585	0.600	0.615	V
Top Switch On-Resistance	R _{DS(ON)T}			200		mΩ
Bottom Switch On-Resistance	R _{DS(ON)B}			150		mΩ
Switch Frequency	F _{SW}			1.5		MHz
Top Switch Current Limit	I _{LIM_TOP}			1.8		A
Max Duty Cycle			100			%
Minimum On Time	T _{ON_MIN}			100		ns
EN Rising threshold voltage	V _{EN_H}	V _{EN} rising	1.5			V
EN Falling threshold	V _{EN_L}	V _{EN} falling			0.4	V
EN Input current	I _{IN}	V _{EN} = 0V to V _{IN}			1	uA
Soft-Start Time	t _{SS}			1		ms
Thermal Shutdown Temperature	T _{SD}			160		°C
Thermal Shutdown Hysteresis	T _{HYS}			15		°C

FUNCTIONAL DESCRIPTION

The BCT1013 is a high performance, 1.2A, 1.5MHz monolithic step-down converter. The BCT1013 requires only three external power components (C_{IN} , C_{OUT} and L). The adjustable version can be programmed with external feedback to any voltage, ranging from 0.6V to the input voltage.

At dropout operation, the converter duty cycle increases to 100% and the output voltage tracks the input voltage minus the RDS(ON) drop of the high-side MOSFET.

The internal error amplifier and compensation provides excellent transient response, load, and line regulation. Soft start function prevents input inrush current and output overshoot during start up.

APPLICATION INFORMATION

Setting the Output Voltage

The internal reference V_{REF} is 0.6V (Typical). The output voltage is divided by a resistor, R_1 and R_2 to the FB pin. The output voltage is given by:

$$V_{OUT} = 0.6 \times \left(1 + \frac{R_1}{R_2}\right)$$

Inductor Selection

For most designs, the BCT1013 operates with inductors of 1 μ H to 4.7 μ H. Low inductance values are physically smaller but require faster switching, which results in some efficiency loss. The inductor value can be derived from the following equation:

$$L = \frac{V_{OUT} \times (V_{IN} - V_{OUT})}{V_{IN} \times \Delta I_L \times f_S}$$

Where ΔI_L is inductor Ripple Current. Large value inductors result in lower ripple current and small value inductors result in high ripple current. For optimum voltage-positioning load transients, choose an inductor with DC series resistance in the 50m Ω to 150m Ω range.

Input Capacitor Selection

The input capacitor reduces the surge current drawn from the input and switching noise from the device. The input capacitor impedance at the switching frequency should be less than input source impedance to prevent high frequency switching current passing to the input. A low ESR input capacitor sized for maximum RMS current must be used. Ceramic capacitors with X5R or X7R dielectrics are highly recommended because of their low ESR and small temperature coefficients. A 4.7 μ F ceramic capacitor for most applications is sufficient. A large value may be used for improved input voltage filtering.

Output Capacitor Selection

The output capacitor is required to keep the output voltage ripple small and to ensure regulation loop stability. The output capacitor must have low impedance at the switching frequency. Ceramic capacitors with X5R or X7R dielectrics are recommended due to their low ESR and high ripple current ratings. The output voltage ripple can be estimated by:

$$\Delta V_{OUT} = \frac{V_{OUT}}{f_S \times L} \times \left(1 - \frac{V_{OUT}}{V_{IN}}\right) \times \left(R_{ESR} + \frac{1}{8 \times f_S \times C_2}\right)$$

PCB Layout Recommendations

When laying out the printed circuit board, the following checking should be used to ensure proper operation of the BL1013 Check the following in your layout:

The power traces, consisting of the GND trace, the SW trace and the VIN trace should be kept short, direct and wide



BCT1013

1.2A, 1.5MHz Synchronous Step-Down Converter

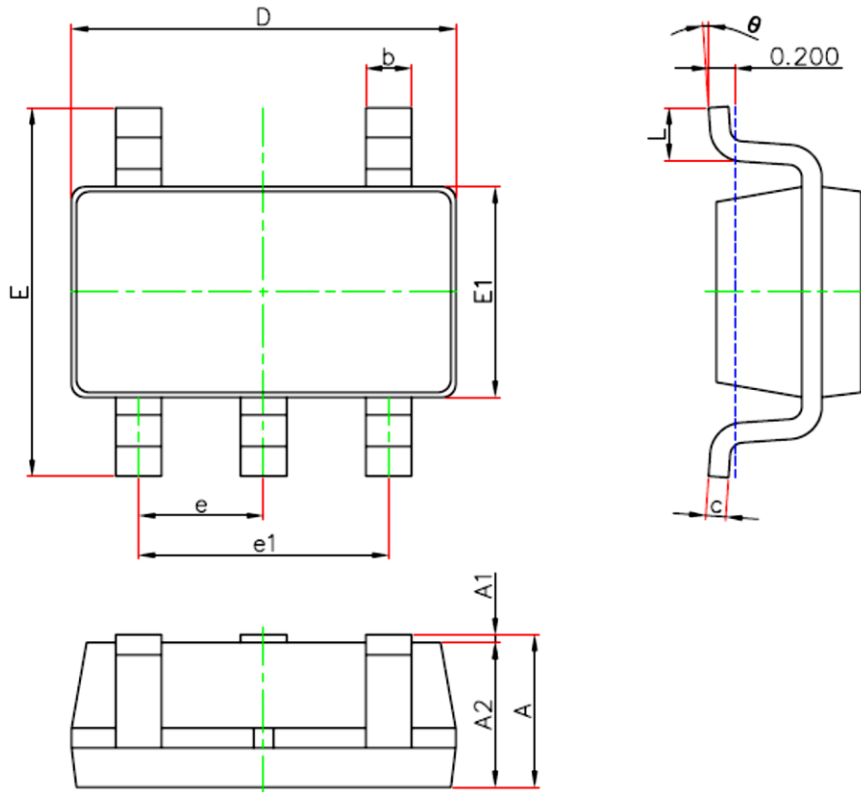
Does the (+) plates of CIN connect to VIN as closely as possible. This capacitor provides the AC current to the internal power MOSFETs.

Keep the switching node, SW, away from the sensitive VOUT node.

Keep the (-) plates of CIN and COUT as close as possible

PACKAGE OUTLINE DIMENSIONS

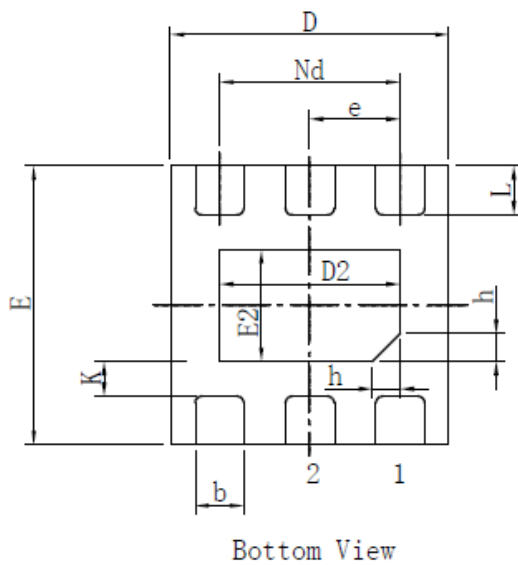
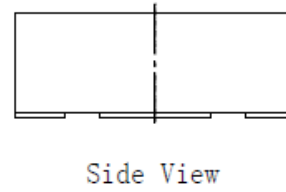
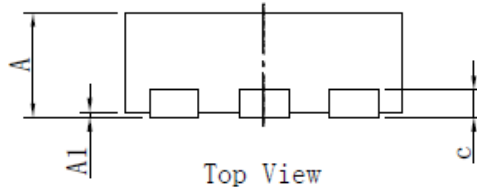
SOT23-5



Symbol	Dimensions In Millimeters	
	Min	Max
A	1.05	1.3
A1	0	0.15
A2	1.05	1.15
b	0.28	0.5
c	0.1	0.23
D	2.82	3.02
E1	1.5	1.7
E	2.65	3.05
e	0.95(BSC)	
e1	1.8	2
L	0.3	0.6
θ	0	8°

SOT23-5 Surface Mount Package

DFN2x2-6L

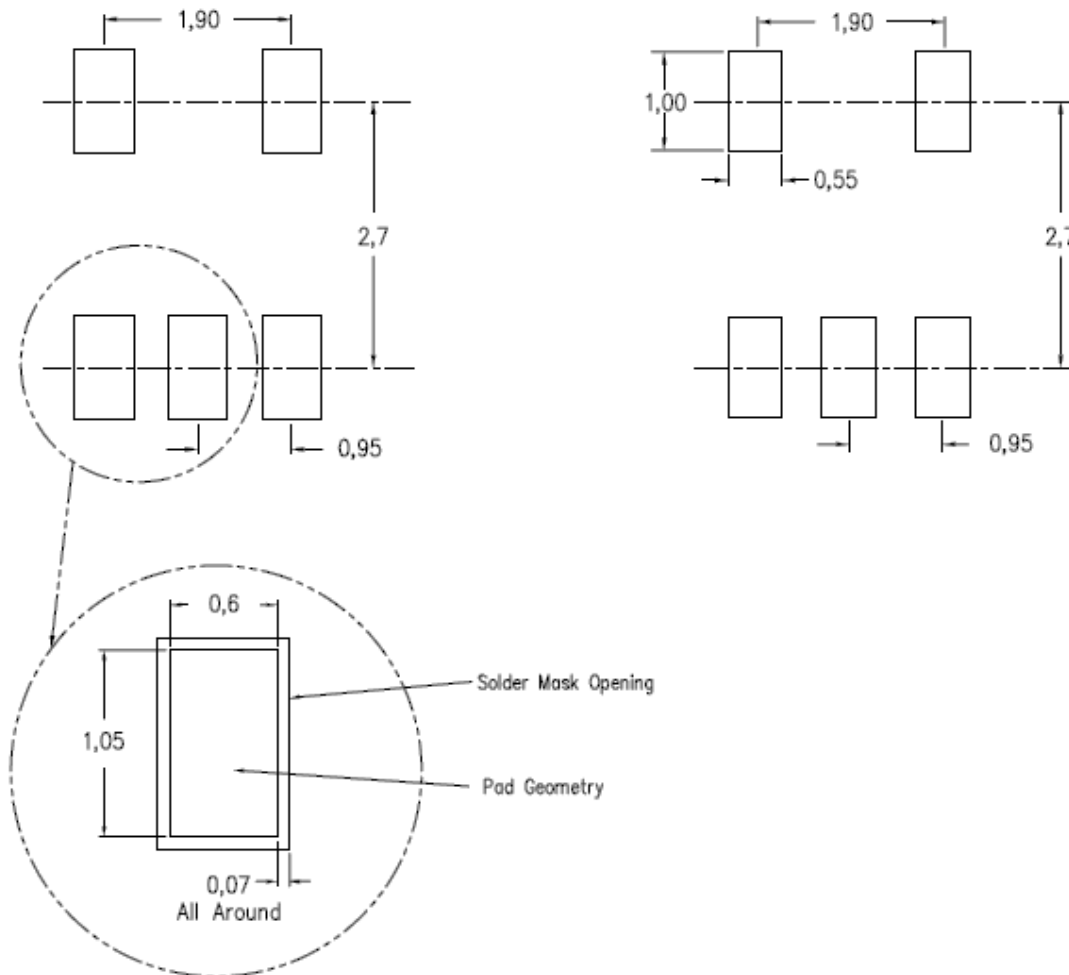


Symbol	Dimensions in Millimeters		
	Min	Typ	Max
A	0.70	0.75	0.80
A1	0.00	0.02	0.05
b	0.30	0.35	0.40
c	0.18	0.20	0.25
D	1.95	2.00	2.05
D2	1.25	1.30	1.35
E	1.95	2.00	2.05
E2	0.75	0.80	0.85
e	0.650BSC		
Nd	1.300BSC		
K	0.20	-	-
L	0.28	0.33	0.38
h	0.15	0.20	0.25

DFN2x2-6L Surface Mount Package

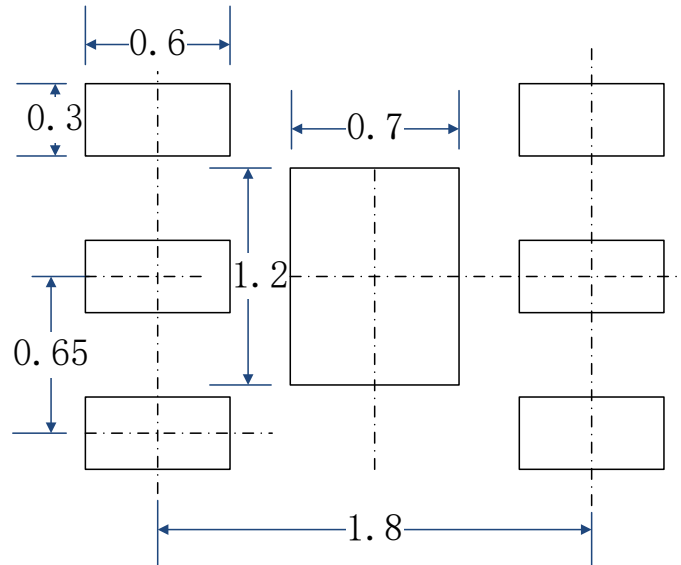
PCB Layout Pattern

SOT23-5



RECOMMENDED PCB LAYOUT PATTERN (Unit: mm)

DFN2x2-6L



单击下面可查看定价，库存，交付和生命周期等信息

[>>Broadchip\(广芯电子\)](#)