



BCT2160

300mA, Ultra Low Noise and High PSRR LDO Regulators for RF and Analog circuits

BCT2160

Ultra Low Noise and High PSRR Linear Regulators

GENERAL DESCRIPTION

The BCT2160 series is a high PSRR Linear regulators capable of supplying 300mA output current. Designed to meet the requirements of RF and analog circuits, the BCT2160 provides ultra low noise, high PSRR, low quiescent current and very good load/line transients. The device is designed to work with a 1 μ F input and a 1 μ F output ceramic capacitors.

These devices feature a shutdown function and are offered in active low with auto discharge.

The BCT2160 is available in Green SOT23-5 , UTDFN1x1-4L packages. It operates over an ambient temperature range of -40°C to +85°C.

FEATURES

- Operating Input Voltage Range: 1.8V to 5.5V
- Accuracy $\pm 2\%$
- Ultra Low Quiescent Current: 14 μ A
- Shutdown Current: 0.1 μ A
- Low Dropout Voltage
- Output current limit:530mA
- Output short to GND Protection:220mA
- Over Temperature Protection:+160°C
- Fixed Outputs of 1.2V,1.8V,2.5V,2.8V,3.3V, 4.2V,5.0V
- Stable with a 1 μ F Small Case Size Ceramic Capacitor
- -40°C to 85°C Operating Temperature Range
- Available in Green SOT23-5 and UTDFN1x1-4L Packages.

APPLICATIONS

Battery-Powered Equipment
Wireless LAN Devices
DVR and Set Top Box
Smartphones and Tablets
Cameras ,Camcorders,



BCT2160

300mA, Ultra Low Noise and High PSRR LDO Regulators for RF and Analog circuits

ORDERING INFORMATION

Order Number	V _{OUT} (V)	Package Type	Temperature Range	Marking	QTY/Reel
BCT2160EUK12-TR	1.2	SOT23-5	-40°C to +85°C	T2XX	3000
BCT2160EUK18-TR	1.8	SOT23-5	-40°C to +85°C	T8XX	3000
BCT2160EUK25-TR	2.5	SOT23-5	-40°C to +85°C	T5XX	3000
BCT2160EUK28-TR	2.8	SOT23-5	-40°C to +85°C	T8XX	3000
BCT2160EUK30-TR	3.0	SOT23-5	-40°C to +85°C	T0XX	3000
BCT2160EUK33-TR	3.3	SOT23-5	-40°C to +85°C	T3XX	3000
BCT2160EUK42-TR	4.2	SOT23-5	-40°C to +85°C	T2XX	3000
BCT2160EUK50-TR	5.0	SOT23-5	-40°C to +85°C	T0XX	3000
BCT2160ELS12-TR	1.2	UTDFN1x1-4L	-40°C to +85°C	T2X	10000
BCT2160ELS18-TR	1.8	UTDFN1x1-4L	-40°C to +85°C	T8X	10000
BCT2160ELS25-TR	2.5	UTDFN1x1-4L	-40°C to +85°C	T5X	10000
BCT2160ELS28-TR	2.8	UTDFN1x1-4L	-40°C to +85°C	T8X	10000
BCT2160ELS30-TR	3.0	UTDFN1x1-4L	-40°C to +85°C	T0X	10000
BCT2160ELS33-TR	3.3	UTDFN1x1-4L	-40°C to +85°C	T3X	10000
BCT2160ELS42-TR	4.2	UTDFN1x1-4L	-40°C to +85°C	T2X	10000
BCT2160ELS50-TR	5.0	UTDFN1x1-4L	-40°C to +85°C	T0X	10000

Note:

"T" in Marking is product short code for BCT2160

"XX" in Marking will be appeared as the batch code.



BCT2160

300mA, Ultra Low Noise and High PSRR LDO Regulators for RF and Analog circuits

ABSOLUTE MAXIMUM RATINGS

IN to GND.....	-0.3V to 6.0V
EN to GND.....	-0.3V to 6.0V
OUT to GND.....	-0.3V to $V_{in}+0.3V$, max 6.0V
Output Short-Circuit Duration.....	Infinite
Power Dissipation, $P_D@T_A=25^\circ C$	
SOT23-5.....	0.48W
UTDFN1x1-4L.....	0.45W
Package Thermal Resistance	
SOT23-5, θ_{JA}	260°C/W
UTDFN1x1-4L, θ_{JA}	280°C/W
Junction Temperature.....	150°C
Operating Temperature Range.....	-40°C to +85°C
Storage Temperature Range.....	-65°C to 150°C
Lead Temperature (Soldering, 10 sec).....	260°C
ESD Susceptibility	
HBM.....	4000V

NOTE:

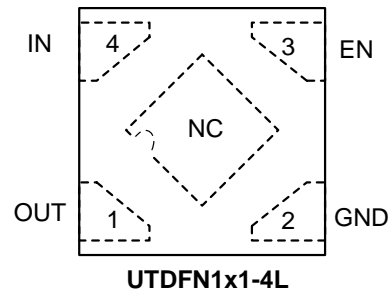
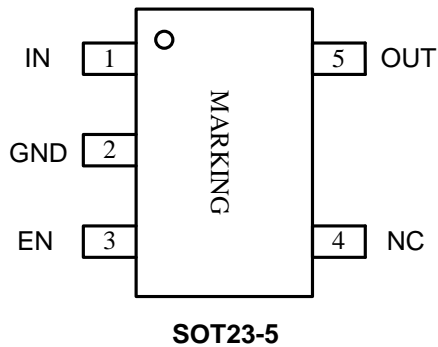
Stresses beyond those listed under "Absolute Maximum Ratings" may cause permanent damage to the device. These are stress ratings only, and functional operation of the device at these or any other conditions beyond those indicated in the operational sections of the specifications is not implied. Exposure to absolute maximum rating conditions for extended periods may affect device reliability.

CAUTION

This integrated circuit can be damaged by ESD if you don't pay attention to ESD protection. Broadchip recommends that all integrated circuits be handled with appropriate precautions. Failure to observe proper handling and installation procedures can cause damage. ESD damage can range from subtle performance degradation to complete device failure. Precision integrated circuits may be more susceptible to damage because very small parametric changes could cause the device not to meet its published specifications.

Broadchip reserves the right to make any change in circuit design, specification or other related things if necessary without notice at any time. Please contact Broadchip sales office to get the latest datasheet.

PIN CONFIGURATION (TOP VIEW)



PIN DESCRIPTION

PIN		NAME	FUNCTION
SOT23-5	UTDFN1x1-4L		
1	4	IN	Regulator Input. Supply voltage can range from 2.5V to 5.5V. Bypass with a 1uF capacitor to GND.
2	2	GND	Ground.
3	3	EN	Shutdown Input. A logic low reduces the supply current to 0.1uA. Connect to IN for normal operation.
4	-	NC	No Connect
5	1	OUT	Regulator Output.



BCT2160

300mA, Ultra Low Noise and High PSRR LDO Regulators for RF and Analog circuits

ELECTRICAL CHARACTERISTICS

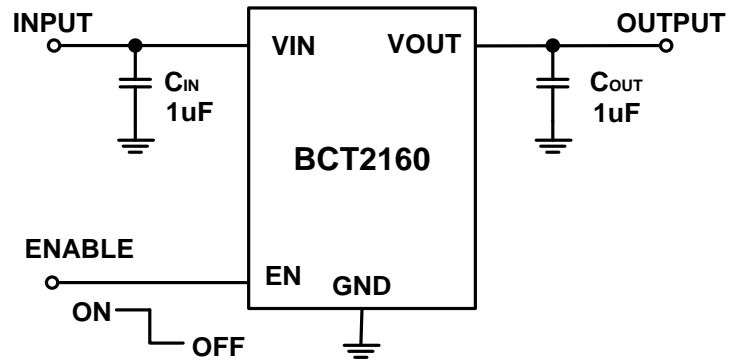
($V_{IN} = V_{OUT(NOMINAL)} + 1V$, $I_{OUT} = 1mA$, $C_{IN} = C_{OUT} = 1\mu F$, $T_A = -40^\circ C$ to $+85^\circ C$, typical values are at $T_A = +25^\circ C$, unless otherwise specified.)

PARAMETER	SYM	CONDITIONS	MIN	TYP	MAX	UNITS
Input Voltage	V_{IN}		1.8		5.5	V
Output Voltage Accuracy			-2.0		2.0	%
Line Regulation	ΔV_{LNR}	$V_{OUT} + 1V \leq V_{IN} \leq 5.5V$		0.02		%/V
Load Regulation	ΔV_{LDR}	$I_{OUT} = 1mA$ to $300mA$,		10		mV
Dropout Voltage ⁽¹⁾	V_{DROP}	$I_{OUT} = 300mA$	$V_{out} = 1.8V$		210	mV
			$V_{out} = 2.8V$		140	mV
			$V_{out} = 3.3V$		130	mV
Current Limit	I_{LIM}	$V_{OUT} = 90\% V_{OUT(NOM)}$		530		mA
Short-Circuit Current	I_{SHORT}	$V_{OUT} = 0V$		220		mA
Quiescent Current	I_Q	No load		14		μA
Power Supply Rejection Ratio	PSRR	$I_{OUT} = 20mA$	$f = 100Hz$		84	dB
			$f = 1kHz$		94	
			$f = 10kHz$		73	
			$f = 100kHz$		33	
Output Voltage Noise	e_n	$f = 10Hz$ to $100kHz$	$I_{OUT} = 1mA$		26	μV_{RMS}
			$I_{OUT} = 300mA$		20	
Output Discharge Resistance	R_{DISCH}	$V_{EN} = 0V, V_{IN} = 5V$		220		Ω
SHUTDOWN						
EN Input Threshold	V_{IH}	$V_{IN} = V_{OUT(NOMINAL)} + 1V$ to $5.5V$,	1.7			V
	V_{IL}				0.3	
EN Pull-Down Current	I_{EN}	$EN = 5.5V$		0.2		μA
Shutdown Current	I_{SHDN}	$V_{EN} = 0V, V_{IN} = 5.5V$		0.1		μA
Turn-On Time	t_{ON}	From assertion of V_{EN} to $V_{OUT} = 90\% V_{OUT(NOM)}$		120		μs
THERMAL PROTECTION						
Thermal Shutdown Temperature	T_{SHDN}			160		$^\circ C$
Thermal Shutdown Hysteresis	ΔT_{SHDN}			20		$^\circ C$

NOTES:

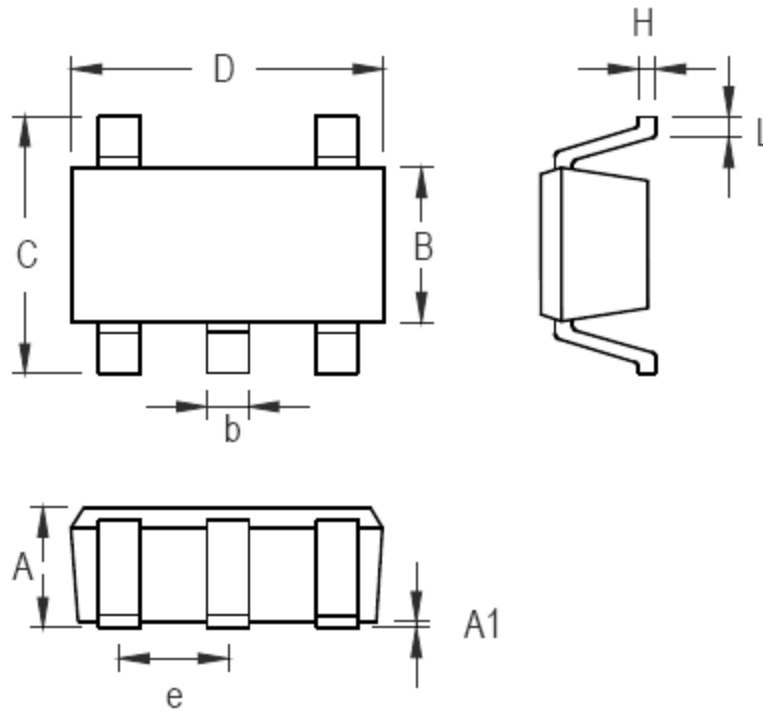
1. The dropout voltage is defined as $V_{IN} - V_{OUT}$, when V_{OUT} is 100mV below the value of nominal V_{OUT}

TYPICAL APPLICATION CIRCUIT



PACKAGE OUTLINE DIMENSIONS

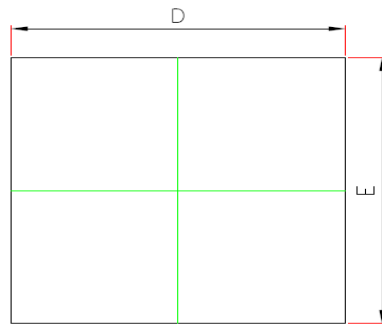
SOT23-5



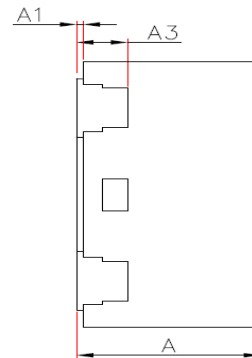
Symbol	Dimensions In Millimeters	
	Min	Max
A	1.05	1.15
A1	0.03	0.15
B	1.5	1.7
b	0.28	0.45
C	2.75	3.05
D	2.82	3.02
e	0.95(BSC)	
H	0.12	0.23
L	0.35	0.55

SOT23-5 Surface Mount Package

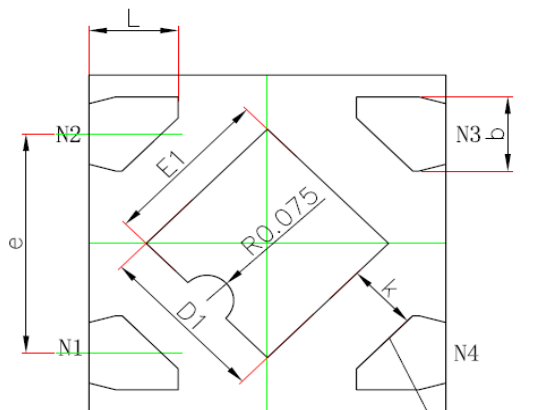
UTDFN1x1-4L



TOP VIEW



SIDE VIEW



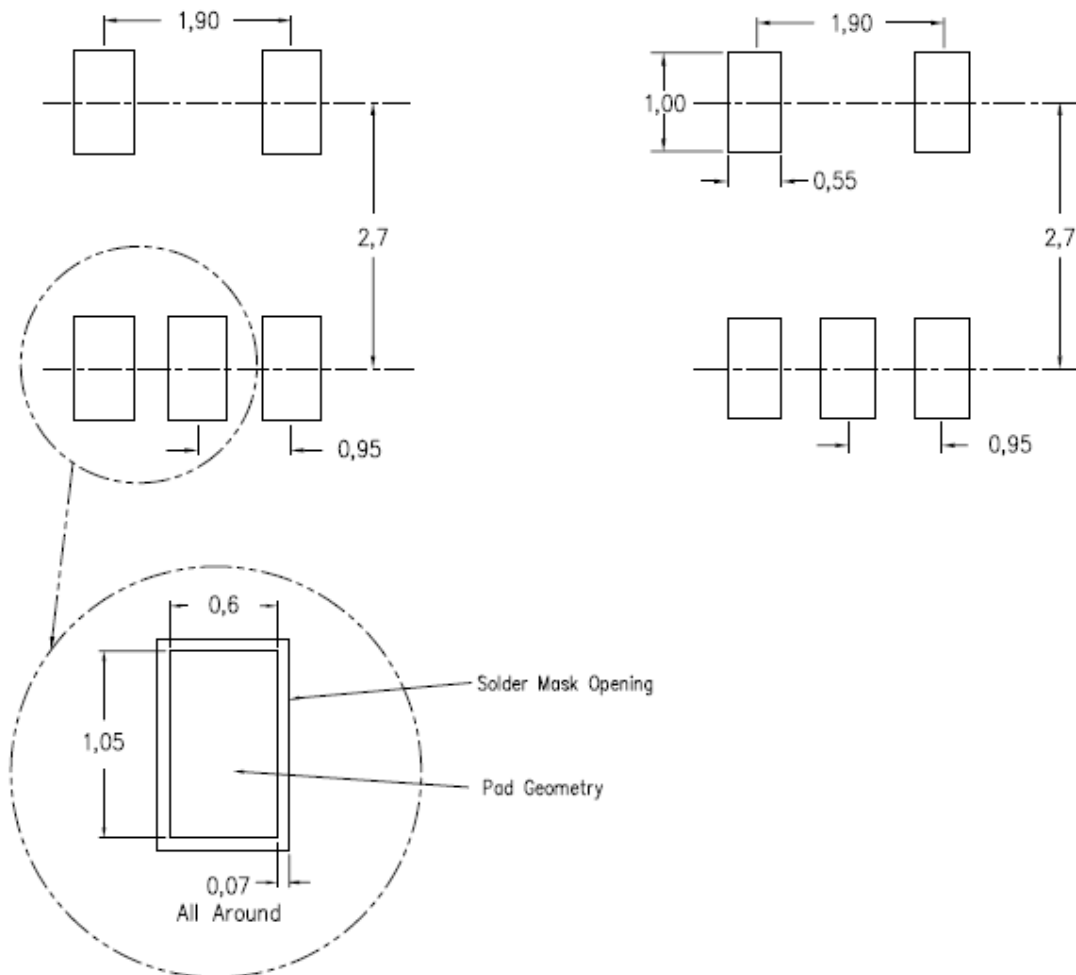
BOTTOM VIEW

CO. 157

Symbol	Dimensions In Millimeters		
	Min	Typ	Max
A	0.50	0.55	0.6
A1	0.000		0.05
A3	0.152 REF		
D	0.95	1.0	1.05
D1	0.43	0.500	0.53
E	0.95	1.0	1.05
E1	0.43	0.500	0.53
b	0.17		0.27
e	0.65BSC		
L	0.20	0.25	0.3

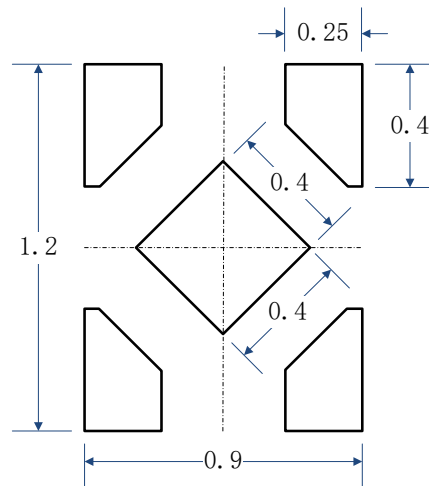
LAND PATTERN DATA

SOT23-5



RECOMMENDED PCB LAYOUT PATTERN (Unit: mm)

UTDFN1x1-4L



RECOMMENDED PCB LAYOUT PATTERN (Unit: mm)

单击下面可查看定价，库存，交付和生命周期等信息

[>>Broadchip\(广芯电子\)](#)