

ENC Series Optical Encoder

NEW



Features/Benefits

- Clear detent/haptic feel
- Two channel, 2-bit code output
- Quadrature (Incremental type)
- Integrated pushbutton
- Panel mount with screw thread
- Cable and connector termination

Typical Applications

- Automotive interior control
- Industrial equipment
- Test & Instrumentation
- Medical equipment

Specifications

ROTARY

ELECTRICAL & MECHANICAL

OPERATING VOLTAGE: DC 5 ± 0.25V, 30mA max.

OUTPUT VOLTAGE: Logic high > 3V DC

Logic low < 1V DC

ROTATIONAL TORQUE: 265 gf-cm initially

MECHANICAL LIFE: 300K cycles

PUSHBUTTON

ELECTRICAL & MECHANICAL

OPERATING VOLTAGE: DC 5V, 10mA

INITIAL CONTACT RESISTANCE: 10 ohm max.

ACTUATION FORCE: 600 ± 20% gf

SHAFT TRAVEL: 0.74 ± 0.2mm

CONTACT BOUNCE: < 4ms make, < 10ms break

MECHANICAL LIFE: 300K cycles

Environmental Data

OPERATING TEMPERATURE: -40°C to +90°C

OPERATING RELATIVE HUMIDITY: ≤ 96% RH, +40°C

STORAGE TEMPERATURE: -40°C to +90°C

Materials

ACTUATOR: Zinc Alloy

HOUSING FRAME: Zinc Alloy

DETENT ROTOR: POM, HB

DETENT SPRING: SUS

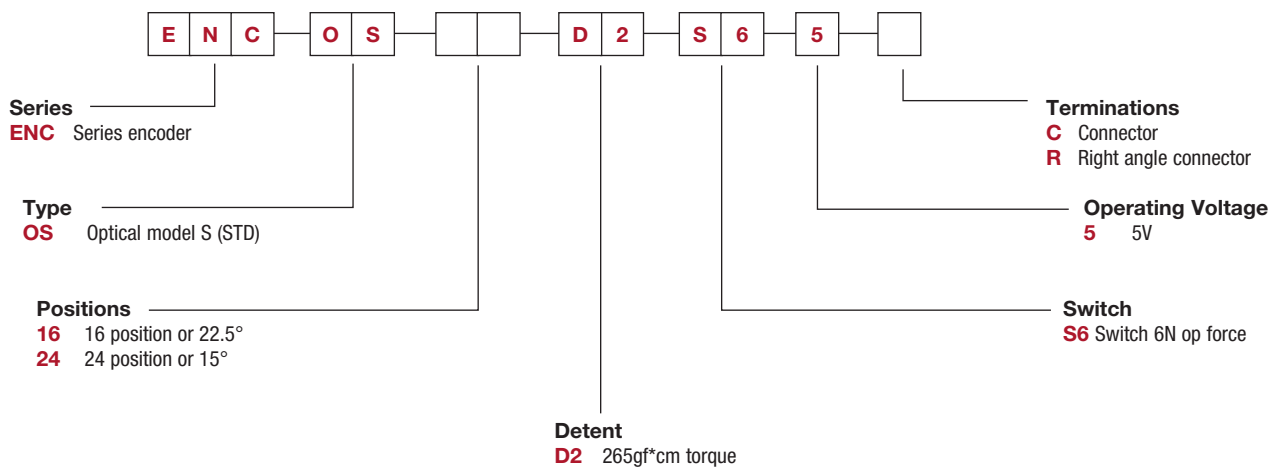
HOUSING UPPER: PA66, V0

HOUSING LOWER: POM, HB

PUSHBUTTON DOME: SUS

Build-A-Switch

Product specifications and technical information listed above are for standard offer on Optical Encoder. For special options and custom request, please contact your sales representative.



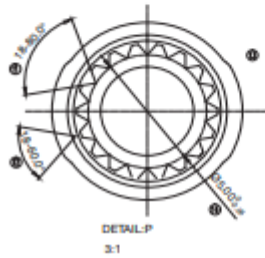
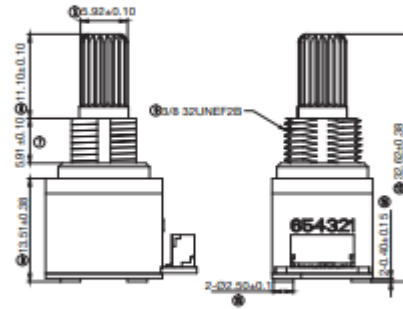
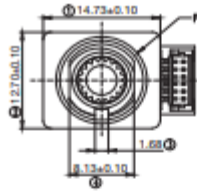
K

Rotary

ENC Series Optical Encoder

NEW

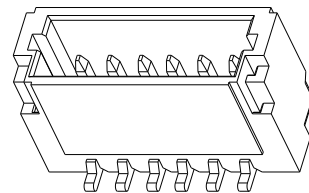
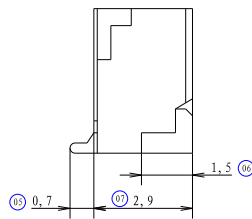
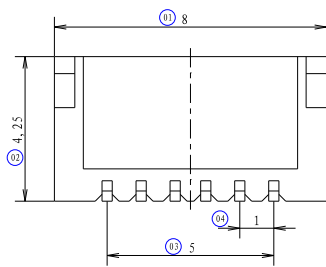
PART NUMBER	PACKAGING
ENCOS16D2S65C	Tray



K

Rotary

Header Socket

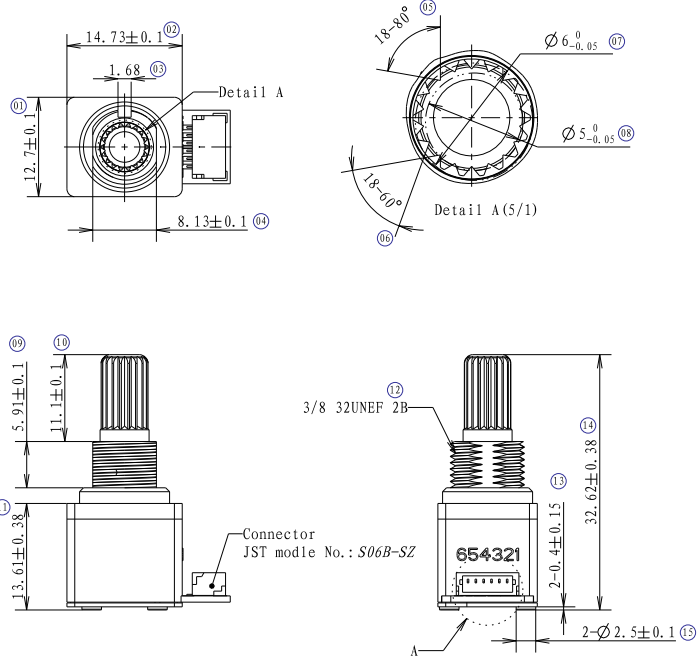


* Note: Recommended connector is JST 06SR-3S

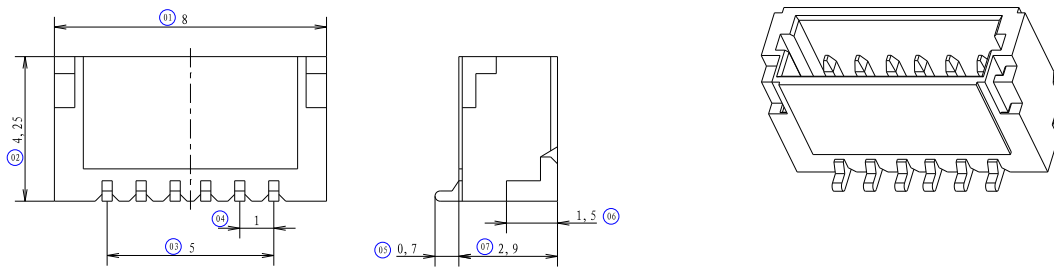
NEW

ENC Series Optical Encoder

PART NUMBER	PACKAGING
ENCOS24D2S65R	Tray



Header Socket



* Note: Recommended connector is JST 06SR-3S



K

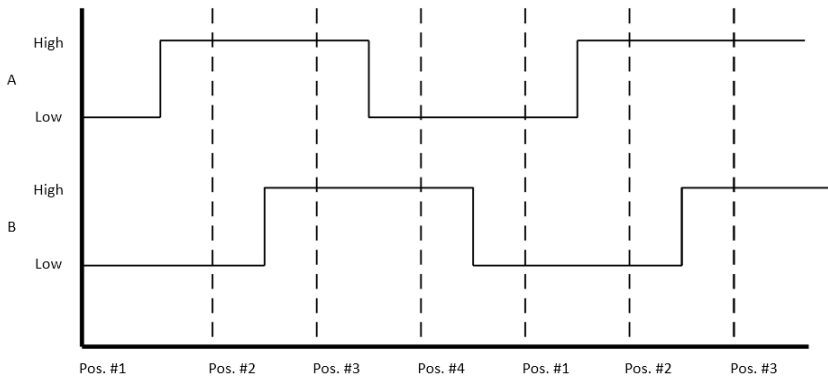
Rotary

OPERATING CHARACTERISTICS

Output Logic Levels & Voltage by Position

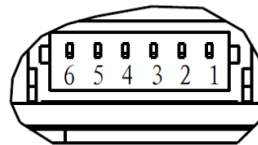
Position	Output A		Output B	
	Logic Level	Voltage	Logic Level	Voltage
1	Low	<1.0	Low	<1.0
2	High	>3.0	Low	<1.0
3	High	>3.0	High	>3.0
4	Low	<1.0	High	>3.0

* Note: Regardless of the number of detents, the outputs repeat every four positions.



Pinout Order & Function

Pin	Function
1	Ground
2	Pushbutton
3	Pushbutton
4	Output B
5	Output A
6	Power (5V DC)



Rotary

单击下面可查看定价，库存，交付和生命周期等信息

[>>C&K](#)