

KSU Series Micro Mini Surface Mount Detect Switches



Features/Benefits

- New multi contact construction
- Metal actuator
- Low actuating force
- RoHS compliant and compatible

Typical Applications

- Mobile phones and other handheld devices
- Portable medical devices
- Audio devices
- Alarm devices
- Payment terminals
- Smart meters

Specifications

FUNCTION: Momentary action.

CONTACT TYPE: SPST Normally open.

TERMINALS: Gullwing type for SMT.

Mechanical

SWITCHING FORCE: $0,7 \pm 0,5$ N

TRAVEL TO MAKE: $0,65$ mm - $0,45/+0,25$ mm

MECHANICAL TRAVEL: $1,5 \pm 0,2$ mm

OPERATING LIFE: 100,000 cycles

Packaging

Switches are delivered on continuous tape, in reels of 1,000 pieces

Electrical

MAXIMUM POWER:

MAXIMUM VOLTAGE:

MINIMUM VOLTAGE:

MAXIMUM CURRENT:

MINIMUM CURRENT:

CONTACT RESISTANCE:

INSULATION RESISTANCE:

DIELECTRIC STRENGTH:

BOUNCE TIME:

GOLD

0.2 VA

32 VDC

20 mV

10 mA

0.01 mA

≤ 100 m Ω

(100 VDC) 10^9 Ω

≥ 250 Vrms

≤ 3 ms

SILVER

0.1 VA

32 VDC

20 mV

50 mA

1 mA

Environmental

OPERATING TEMPERATURE: -40°C to $+125^{\circ}\text{C}$ -40°C to $+85^{\circ}\text{C}$

STORAGE TEMPERATURE: -55°C to $+125^{\circ}\text{C}$ -40°C to $+85^{\circ}\text{C}$

Process

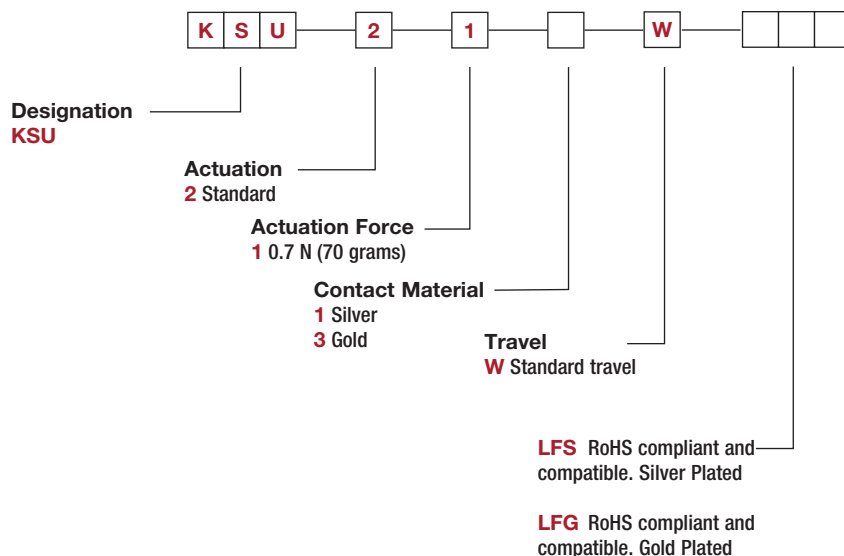
SOLDERING: Compatible with lead free reflow process

NOTE: Specifications listed above are for switches with standard options.
For information on specific and custom switches, consult Customer Service Center.

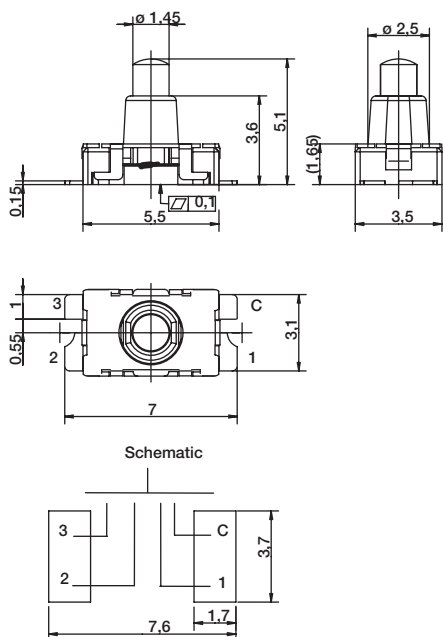
How To Order

Our easy build-a-switch concept allows you to mix and match options to create the switch you need. To order, select desired option from each category and place it in the appropriate box.

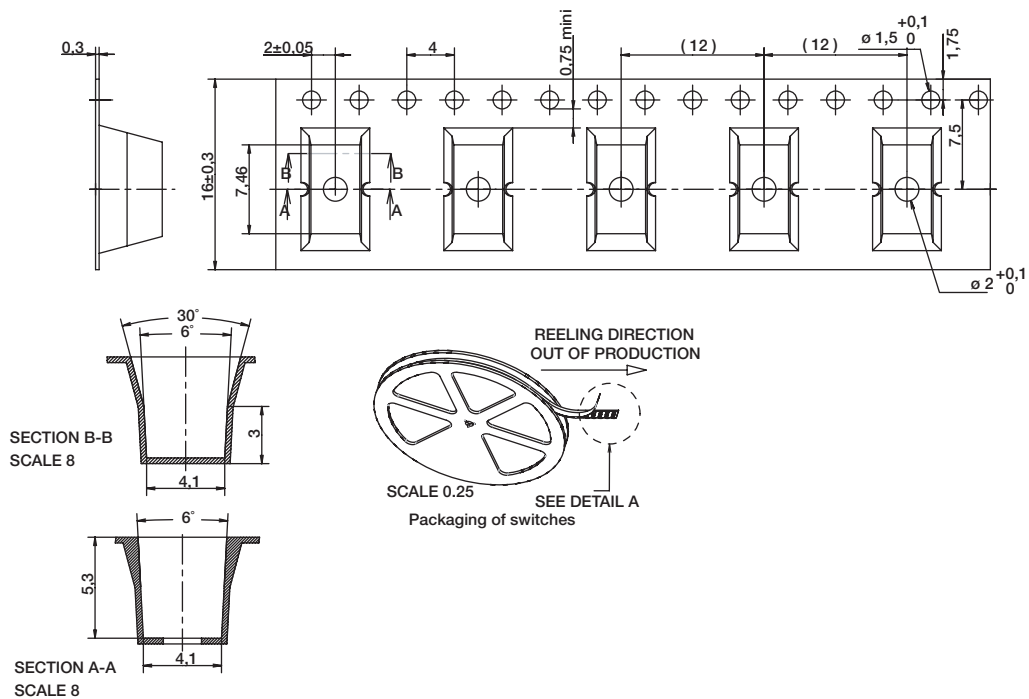
For any part number different from those listed above, please consult your local representative.



KSU Series Micro Mini Surface Mount Detect Switches



TAPE & REEL



Detect



First Angle
Projection

Dimensions are shown: mm
Specifications and dimensions subject to change

单击下面可查看定价，库存，交付和生命周期等信息

[>>C&K](#)