

# CN Series Double Pole Power Rocker Switches

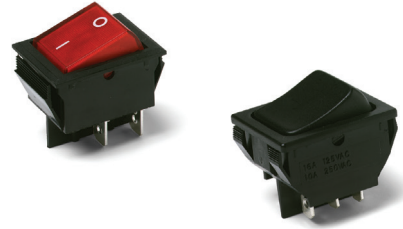
## Features/Benefits

- Illuminated versions available
- Multiple actuator and termination styles
- Robust design
- Custom version upon request
- RoHS compliant



## Typical Applications

- Appliances
- Office equipment
- Computers and peripherals
- Off-road vehicles
- Industrial machines
- HVAC units
- Transportation



## Specifications

### CONTACT RATING:

See table for Q and QA ratings on the last page of this series.

ELECTRICAL LIFE: 10,000 make and break cycles at full load.

INSULATION RESISTANCE:  $10^8 \Omega$  min.

DIELECTRIC STRENGTH: 1,500 VRMS @ sea level.

OPERATING TEMPERATURE: -20°C to +85°C

HOUSING AND ACTUATOR: 6/6 nylon (UL94V-2), black, matte finish.

ILLUMINATED ACTUATOR: Polycarbonate, matte finish.

CENTER CONTACTS: Silver plated, copper alloy.

END CONTACTS: Silver plated  $Ag_2S_2O_8$ .

ALL TERMINALS: Silver plated, copper alloy.

**Note:** Specifications and materials listed above are for switches with standard options. For information on specific and custom switches, consult Customer Service Center.

## Materials

## Build-A-Switch

To order, simply select desired option from each category and place in the appropriate box. Available options are shown and described on pages G-99 through G-101. For additional options not shown in catalog, consult Customer Service Center.

<div style="border: 1px solid black; width: 100px; height: 15px; display: inline-block;"></div>		<div style="border: 1px solid black; width: 100px; height: 15px; display: inline-block;"></div>		<div style="border: 1px solid black; width: 100px; height: 15px; display: inline-block;"></div>		<div style="border: 1px solid black; width: 100px; height: 15px; display: inline-block;"></div>		<div style="border: 1px solid black; width: 100px; height: 15px; display: inline-block;"></div>		<div style="border: 1px solid black; width: 100px; height: 15px; display: inline-block;"></div>		<div style="border: 1px solid black; width: 100px; height: 15px; display: inline-block;"></div>		<div style="border: 1px solid black; width: 100px; height: 15px; display: inline-block;"></div>		<div style="border: 1px solid black; width: 100px; height: 15px; display: inline-block;"></div>		<div style="border: 1px solid black; width: 100px; height: 15px; display: inline-block;"></div>	
<b>Switch Function</b> <b>CN201</b> DPDT On-None-On <b>CN202</b> DPST On-None-Off <b>CN22</b> * DPST On-None-Off		<b>Actuator</b> <b>J1</b> Rocker <b>J3</b> Illuminated rocker <b>J6</b> Rocker <b>J8</b> Illuminated rocker		<b>Actuator Color</b> <b>2</b> Black <b>1</b> White <b>3</b> Red <b>R</b> Red, illuminated <b>A</b> Amber, illuminated <b>G</b> Green, illuminated		<b>Mounting Style/Color</b> <b>S2</b> Snap-in, black <b>S4</b> Snap-in, black <b>S1</b> Snap-in, white <b>S3</b> Snap-in, white		<b>Termination</b> <b>15</b> .187" quick connect <b>05</b> .250" quick connect		<b>Actuator Marking</b> <b>(NONE)</b> No marking <b>D</b> ON-OFF <b>H</b> "O I" - international ON-OFF <b>P</b> "O -" international ON-OFF		<b>Contact Rating</b> <b>Q</b> Silver <b>QA</b> Silver (with HP rating)		<b>Lamp Rating</b> <b>(NONE)</b> No lamp <b>7</b> 125 VAC neon <b>8</b> 250 VAC neon					

\* CN22 - for switches with both marking and illumination

Rocker



Dimensions are shown: Inches (mm)  
Specifications and dimensions subject to change



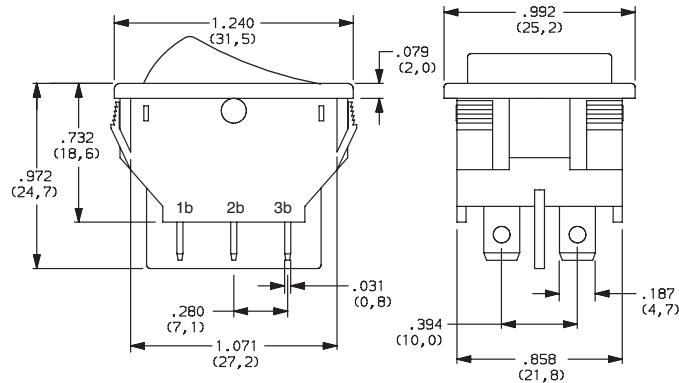
# CN Series Double Pole Power Rocker Switches

## SWITCH FUNCTION



NO. POLES	MODEL NO.	SWITCH FUNCTION			CONNECTED TERMINALS			SCHEMATIC	
		Pos. 1	Pos. 2	Pos. 3	Pos. 1	Pos. 2	Pos. 3		
		C&K marking on opposite side			C&K marking on opposite side				
DP	<b>CN201</b>	ON	NONE	ON	2-1 4-5	N/A	2-3 6-5		
	<b>CN202</b>	ON	NONE	OFF				OPEN	
	<b>CN22 *</b>	ON	NONE	OFF					

\* CN22 - for switches with both marking and illumination

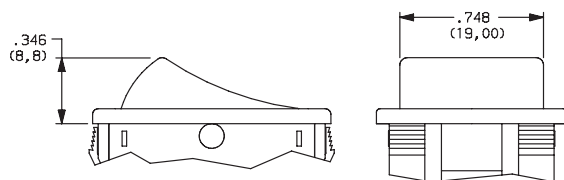


Shown in Pos. 1

## ACTUATOR

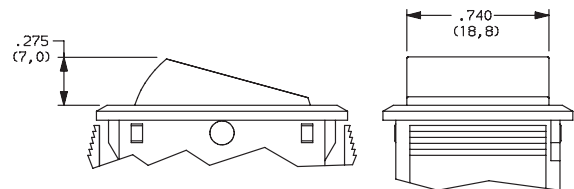


- J1** ROCKER
- J3** ILLUMINATED ROCKER



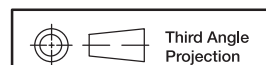
**NOTE:** J1 & J3 actuators available with Q contact rating only.  
J3 actuator available with CN202 & CN22 switch function only.

- J6** ROCKER
- J8** ILLUMINATED ROCKER



**NOTE:** J6 & J8 actuators available with QA contact rating only.  
J6 actuator available with CN201 & CN202 switch functions,  
J8 actuator available with CN202 & CN22 switch function only.

Rocker



Third Angle  
Projection

Dimensions are shown: Inches (mm)  
Specifications and dimensions subject to change

**C&K**

# CN Series Double Pole Power Rocker Switches

## ACTUATOR COLOR

OPTION CODE	ACTUATOR COLOR
<b>2</b>	BLACK
<b>1</b>	WHITE
<b>3</b>	RED
<b>R</b>	RED, ILLUMINATED
<b>A</b>	AMBER, ILLUMINATED
<b>G</b>	GREEN, ILLUMINATED

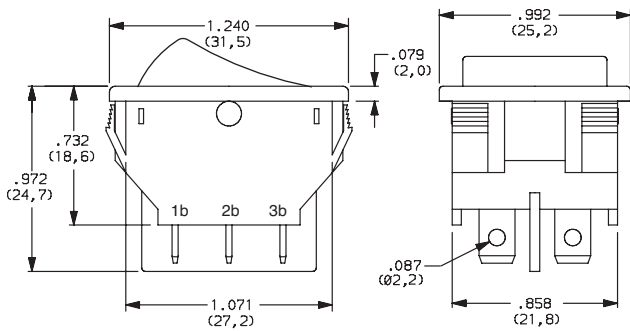
## MOUNTING STYLE/COLOR

**S2** SNAP-IN, BLACK

**S1** SNAP-IN, WHITE

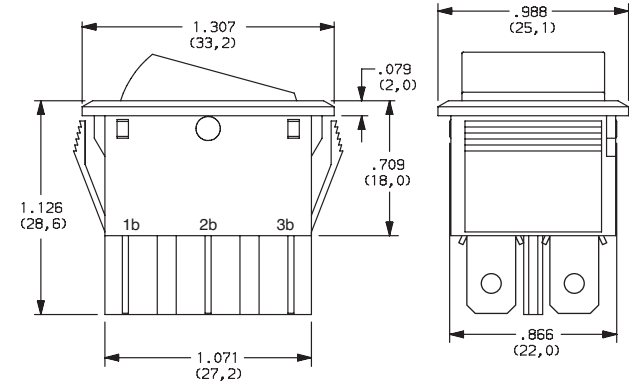
**S4** SNAP-IN, BLACK

**S3** SNAP-IN, WHITE



**NOTE:** Available with 15 termination and Q contact rating only.

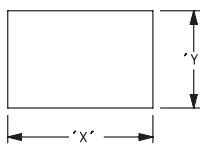
Shown in Pos. 1



**NOTE:** Available with 05 termination and QA contact rating only.

Shown in Pos. 1

### PANEL MOUNTING

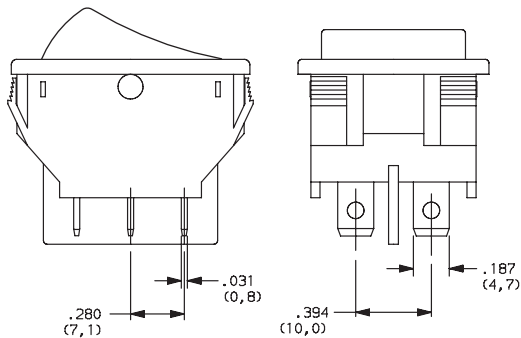


PANEL THICKNESS	"X"	"Y"
0.030-0.049 (0,75-1,25)	1.190-.004 (30,2-0,1)	0.874+.004 (22,2+0,1)
0.049-0.079 (1,25-2,0)	1.197-.004 (30,4-0,1)	0.874+.004 (22,2+0,1)
0.079-0.118 (2,0-3,0)	1.213-.004 (30,8-0,1)	0.874+.004 (22,2+0,1)

## TERMINATION

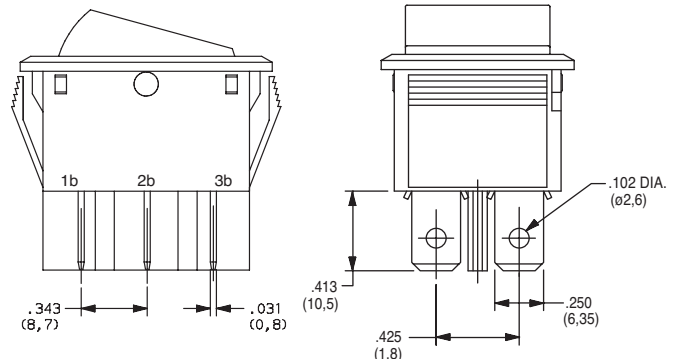
**15** .187" QUICK CONNECT

**05** .250" QUICK CONNECT



**NOTE:** Available with S1 & S2 mounting style and Q contact rating only.

Shown in Pos. 1



**NOTE:** Available with S3 & S4 mounting styles and QA contact rating, CN201 & CN202 switch functions only.

Shown in Pos. 1



Dimensions are shown: Inches (mm)  
Specifications and dimensions subject to change

**C&K**



# CN Series Double Pole Power Rocker Switches

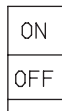
## ACTUATOR MARKING



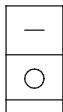
**NONE** NO MARKING



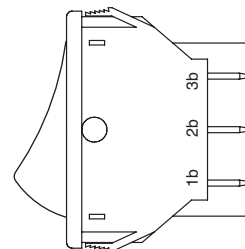
**D** ON-OFF



**H** 0 I



**P** 0 -



**NOTE:** Orientation of actuator marking and terminals.  
Shown in Pos. 1

## CONTACT MATERIAL



OPTION CODE	CONTACT AND TERMINAL MATERIAL	RATINGS	
<b>Q</b>	SILVER	POWER	16A @ 125C 1/3 HP @ 125 V AC
<b>QA</b>			10A @ 250 V AC 1/2HP @ 250 V AC
			16A @ 125 VAC, 1/8 HP @ 125 V AC; 10 A @ 250 VAC, 1/3 HP @ 250 V AC

\* Note: See Technical Data section of this catalog for RoHS compliant and compatible definitions and specifications.



## LAMP RATING

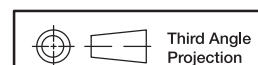


**(NONE)** NO LAMP

**7** 125 VAC 33kΩ NEON

**8** 250 VAC 150kΩ NEON

**NOTE:** Lamp rating for J3 & J8 actuator options.



Dimensions are shown: Inches (mm)  
Specifications and dimensions subject to change

Rocker

G

**C&K**

单击下面可查看定价，库存，交付和生命周期等信息

[>>C&K](#)