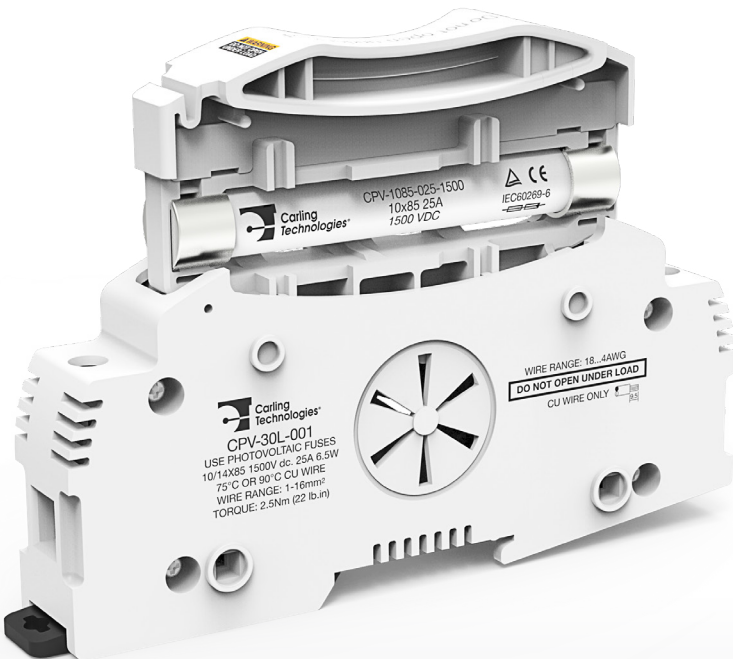
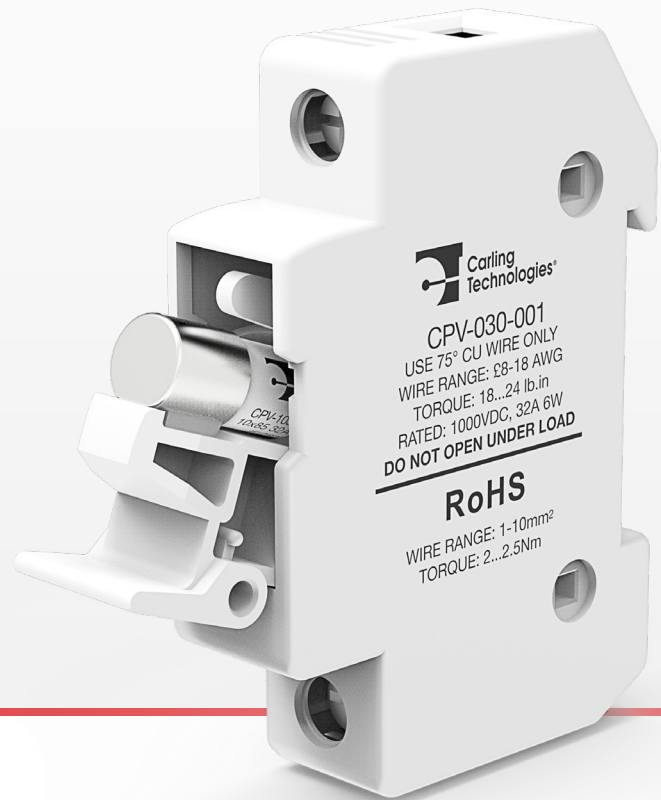


CPV-Series

Din rail mountable fuse holders and fuse links for photovoltaic applications

PRODUCT WEBPAGE

request sample, configure part, watch video



Designed for photovoltaic applications, the CPV-1038 and CPV-1085 offer high performance, reliable circuit protection solutions for installation into various system locations. These compact fuses are also ideal for isolating photovoltaic module strings during maintenance and require no fuse pullers or tools for fuse removal.

CPV-1038
1000VDC, up to 32A

CPV-1085
1500VDC, up to 30A

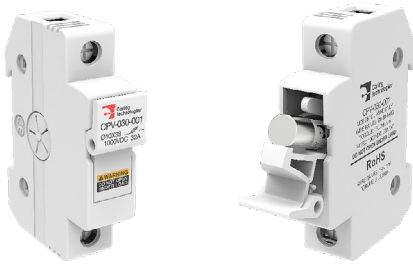
20kA
rated capacity

Typical Applications

- Photovoltaic Systems
- Combiner Boxes
- Inverters

Tech Specs

CPV-030 Fuse Holder



Electrical

Current Rating	TUV: 32 Amps Max UL: 30 Amps Max
Voltage Rating	1000VDC Max
Rated Impulse Withstand	6kV
Voltage Uimp Conditional Short Circuit	20kA
Current Utilization Category	DC-PV0

Environmental

Operating Temperature	-50°C to +90°C
Installation Site (Altitude)	2000 meters Max
Storage Temperature	-50°C to +90°C
Storage Requirement	Avoid Direct Sunlight

Agency Approvals

TUV EN 60947-1: 2007+A1+A2
TUV EN 60947-3: 2009+A1+A2
UL 4248-1,-19

CPV-1038 Fuse Link: 1000VDC, 1-32A



Electrical

Rated Current	TUV: 1, 2, 3, 4, 5, 6, 8, 10, 12, 15, 16, 20, 25, 30, 32A UL: 2, 3, 4, 5, 6, 8, 10, 12, 15, 16, 20, 25, 30A
Voltage Rating	1000VDC Max
Power Dissipation	no more than 2.5W at 0.7In / no more than 4.5W at In
Rated Breaking Capacity	20kA
Arc Voltage Limits	3500 V (peak value)
Utilization Category	gPV

Physical

Contact	Brass Alloy and Silver
Main "Fuse-Link"	Silver
Fuse-Tube	Porcelain
Arc Extinction Stuffing	Silicon Dioxide
Contact Surface Treatment	Silver Alloy

Environmental

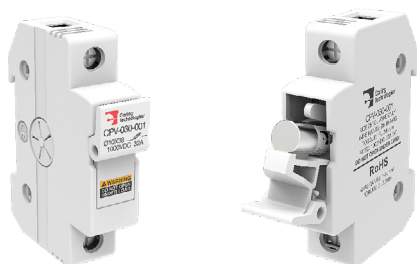
Operating Temperature	-50°C to +90°C
Installation Site (Altitude)	2000 meters Max
Storage Temperature	-50°C to +90°C
Storage Requirement	Avoid Direct Sunlight

Agency Approvals

TUV EN 60269-6: 2011
TUV EN 60269-1: 2007+A1+A2
UL 248-1,-19

Ordering Scheme

CPV-030 Fuse Holder



Part No. CPV - 030 - 001

Selection 1 2 3

1. SERIES

CPV Carling Photovoltaic Fuse Holder

2. SIZE

030 10 x 38 mm (1000V Max Amps UL: 30, TUV: 32)

3. POLES

001 1 Pole

CPV-1038 Fuse Link: 1000VDC, 1-32A



Sample Part No. CPV - 1038 - 032 - 1000

Selection 1 2 3 4

1. SERIES

CPV Carling Photovoltaic Fuse Link

2. SIZE

1038 10 x 38 mm

3. CURRENT RATING

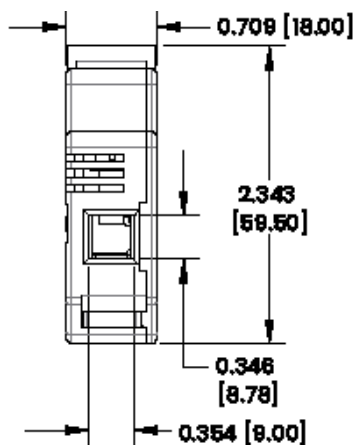
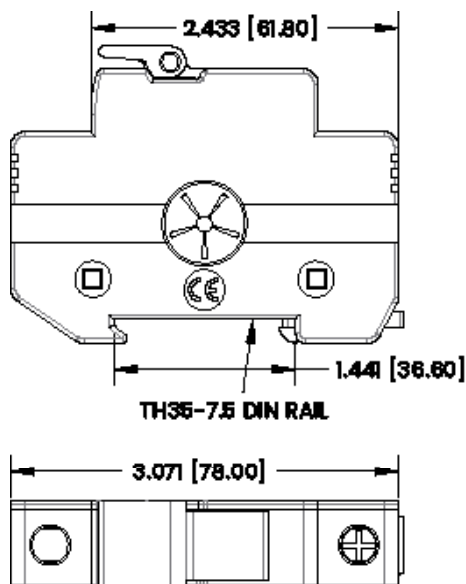
001	1 Amp	006	6 Amps	016	16 Amps
002	2 Amps	008	8 Amps	020	20 Amps
003	3 Amps	010	10 Amps	030	30 Amps
004	4 Amps	012	12 Amps	032	32 Amps
005	5 Amps	015	15 Amps		

4. VOLTAGE RATING

1000 1000 Volts

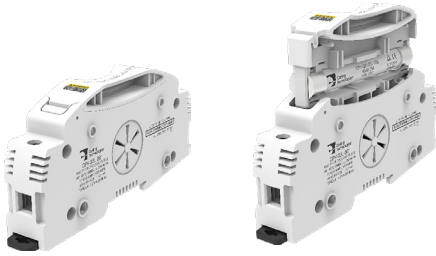
Dimensional Specs

inches [millimeters]



Tech Specs

CPV-30L Fuse Holder



Electrical

Current Rating	TUV: 25 Amps Max UL: 30 Amps Max
Voltage Rating	1500VDC Max
Rated Impulse Withstand	8kV
Voltage Uimp Conditional Short Circuit	20kA
Current Utilization Category	DC-PV0

Environmental

Operating Temperature	-50°C to +90°C
Installation Site (Altitude)	2000 meters Max
Storage Temperature	-50°C to +90°C
Storage Requirement	Avoid Direct Sunlight

Agency Approvals

TUV EN 60947-1: 2007+A1+A2
TUV EN 60947-3: 2009+A1+A2
UL 4248-1,-19

CPV-1085 Fuse Link: 1500VDC, 2-30A



Electrical

Rated Current	TUV: 2, 3, 4, 5, 6, 8, 10, 12, 15, 20, 25A UL: 2, 3, 4, 5, 6, 8, 10, 12, 15, 20, 25, 30A
Voltage Rating	1500VDC Max
Power Dissipation	no more than 3.52W at 0.7In/ no more than 6.56W at In
Rated Breaking Capacity	20kA
Arc Voltage Limits	5000 V (peak value)
Utilization Category	gPV

Physical

Contact	Brass Alloy and Silver
Main "Fuse-Link"	Silver
Fuse-Tube	Porcelain
Arc Extinction Stuffing	Silicon Dioxide
Contact Surface Treatment	Silver Alloy

Environmental

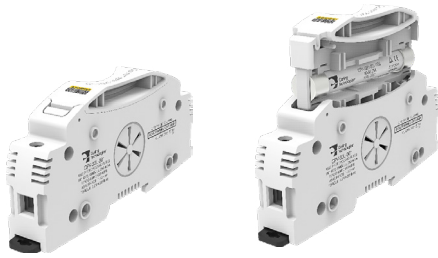
Operating Temperature	-50°C to +90°C
Installation Site (Altitude)	2000 meters Max
Storage Temperature	-50°C to +90°C
Storage Requirement	Avoid Direct Sunlight

Agency Approvals

TUV EN 60269-6: 2011
TUV EN 60269-1: 2007+A1+A2
UL 248-1,-19

Ordering Scheme

CPV-30L Fuse Holder



Part No. **CPV - 30L - 001**

Selection 1 2 3

1. SERIES

CPV Carling Photovoltaic Fuse Holder

2. SIZE

30L 10 x 85 mm (1500V - Max Amps UL: 30, TUV: 25)

3. POLES

001 1 Pole

CPV-1085 Fuse Link: 1500VDC, 2-30A



Sample Part No. **CPV - 1085 - 030 - 1500**

Selection 1 2 3 4

1. SERIES

CPV Carling Photovoltaic Fuse Link

2. SIZE

1085 10 x 85 mm

3. CURRENT RATING

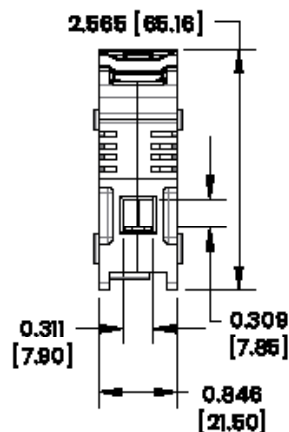
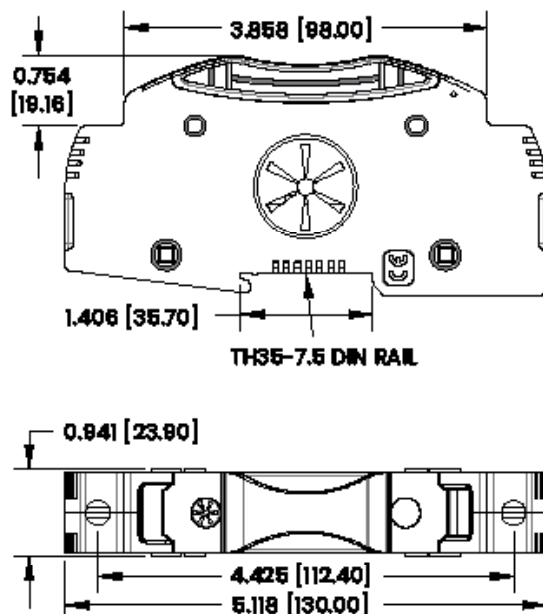
002	2 Amps	006	6 Amps	015	15 Amps
003	3 Amps	008	8 Amps	020	20 Amps
004	4 Amps	010	10 Amps	025	25 Amps
005	5 Amps	012	12 Amps	030	30 Amps

4. VOLTAGE RATING

1500 1500 Volts

Dimensional Specs

inches [millimeters]



Authorized Sales Representatives and Distributors

Click on a region of the map below to find your local representatives and distributors or visit www.carlingtech.com/findarep.



About Carling

Founded in 1920, Carling Technologies is a leading manufacturer of electrical and electronic switches and assemblies, circuit breakers, electronic controls, power distribution units, and multiplexed power distribution systems. With six ISO9001 and IATF16949 registered manufacturing facilities and technical sales offices worldwide, Carling Technologies Sales, Service and Engineering teams do much more than manufacture electrical components, they engineer powerful solutions! To learn more about Carling please visit www.carlingtech.com/company-profile.

To view all of Carling's environmental, quality, health & safety certifications please visit www.carlingtech.com/environmental-certifications.

单击下面可查看定价，库存，交付和生命周期等信息

[>>Carling](#)