



# CW1244

## 3~4 Cells Li-Ion/Polymer Battery Pack Protection IC

### Features

- Overcharge protection
  - Threshold from 4.175V to 4.350V, 25mV steps,  $\pm 25\text{mV}$  accuracy
  - Independent 3.650V, 3.850V threshold for LiFeCoPO<sub>4</sub> battery
- Over discharge protection
  - Threshold from 2.300V to 2.800V, 100mV steps,  $\pm 30\text{mV}$  accuracy
- Excess current protection
  - Excess current 1:  
Threshold from 0.050V to 0.100V, 50mV steps,  $\pm 5\text{mV}$  accuracy
  - Excess current 2:  
Threshold from 0.100V to 0.200V, 100mV steps,  $\pm 10\text{mV}$  accuracy
  - Short circuits protection:  
Threshold from 0.200V to 0.500V, 100mV steps,  $\pm 20\text{mV}$  accuracy
- Charge over-current protection
  - Threshold from -0.010V to -0.050V,  $\pm 5\text{mV}$  accuracy
- Temperature protection
  - Over and under temperature protections during charging and discharging
- Balance function
- 3~4 cells adaptable by SEL pin setting
- Open-Wire protection
- Auto-lock after discharge protection
- Ultra low power dissipation
  - Normal working 20 $\mu\text{A}$  (25°C)
  - Sleep mode 5 $\mu\text{A}$  (25°C)
- Package type: SSOP16/QFN16L

### Applications

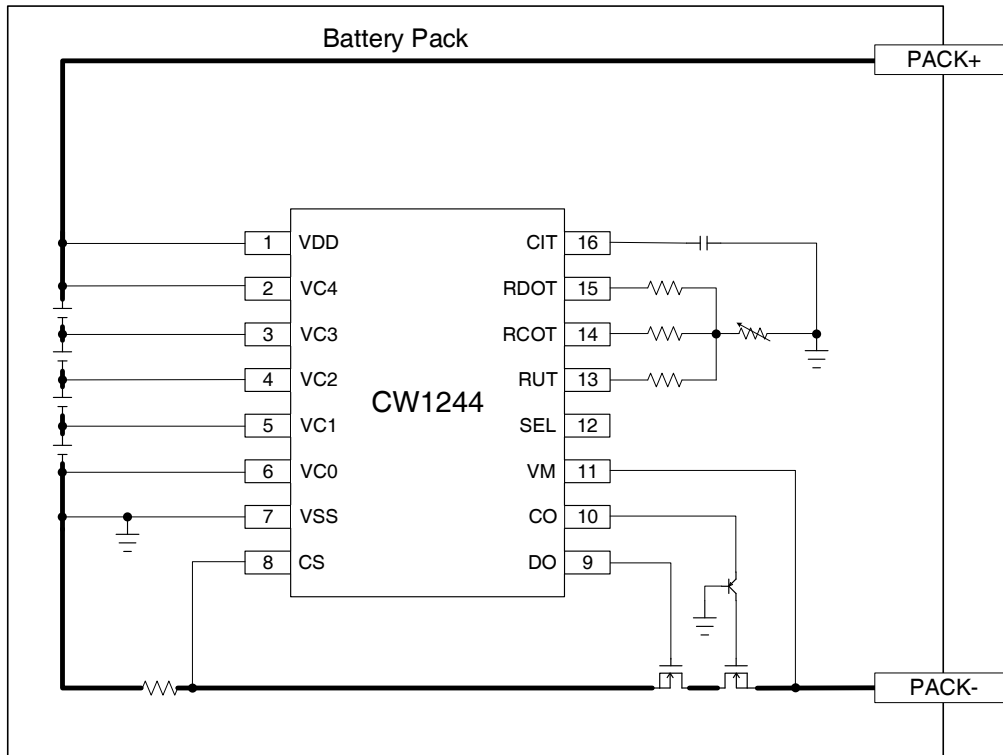
- Power tools
- Portable source
- Vacuum cleaner

### General Description

The CW1244 series products are highly integrated protection ICs for 3~4 lithium-ion and lithium polymer battery packs connected in series. CW1244 provides complete protection for battery pack by measuring the voltage, current and temperature.

CW1244 also integrates balance function to prolong the battery life and open-wire protection to ensure the battery safety.

### Typical Application



### Product Name

CW1244 X X X X

- \_\_\_\_\_ Package type, S: SSOP16/Q:QNF16L
- \_\_\_\_\_ Parameter option, from A to Z
- \_\_\_\_\_ Battery type, A: Lithium F: Lithium iron phosphate
- \_\_\_\_\_ Function and revision option, from A to Z

单击下面可查看定价，库存，交付和生命周期等信息

[>>Cellwise](#)