



CW1013 Series

Battery Protection IC for 1-Cell Pack

Features

- Overcharge Detection Voltage
 - Range 4.150V~4.650V, Accuracy $\pm 15\text{mV}$
- Overdischarge Detection Voltage
 - Range 2.000V~3.500V, Accuracy $\pm 40\text{mV}$
- High-accuracy Overcurrent Detection
 - Discharge Overcurrent Detection Voltage 1, Accuracy $\pm 1.0\text{mV}$
 - Discharge Overcurrent Detection Voltage 2, Accuracy $\pm 2.0\text{mV}$
 - Load Short-circuiting Detection Voltage, Accuracy $\pm 5.0\text{mV}$
 - Charge Overcurrent Detection Voltage, Accuracy $\pm 1.0\text{mV}$
- Detection Delay Times Are Generated only by Internal Circuits
- VM Pin and CO Pin Can Withstand Max. 28V
- 0V Battery Charge: Inhibited
- Low Current Consumption: 2.28 μA Typ.

Package

- DFN-6 (1.57mm x1.90mm x0.45mm)

Application

- Lithium-ion Rechargeable Battery Pack
- Lithium Polymer Rechargeable Battery Pack

General Description

CW1013 series is a protection IC for lithium-ion / lithium polymer rechargeable batteries, which includes high-accuracy voltage detection circuits and delay circuits. It is suitable for protecting 1-cell lithium-ion / lithium polymer rechargeable battery packs from overcharge, overdischarge, and overcurrent. By using an external overcurrent detection resistor, it realizes high accuracy overcurrent protection with less effect from temperature change.

Typical Application

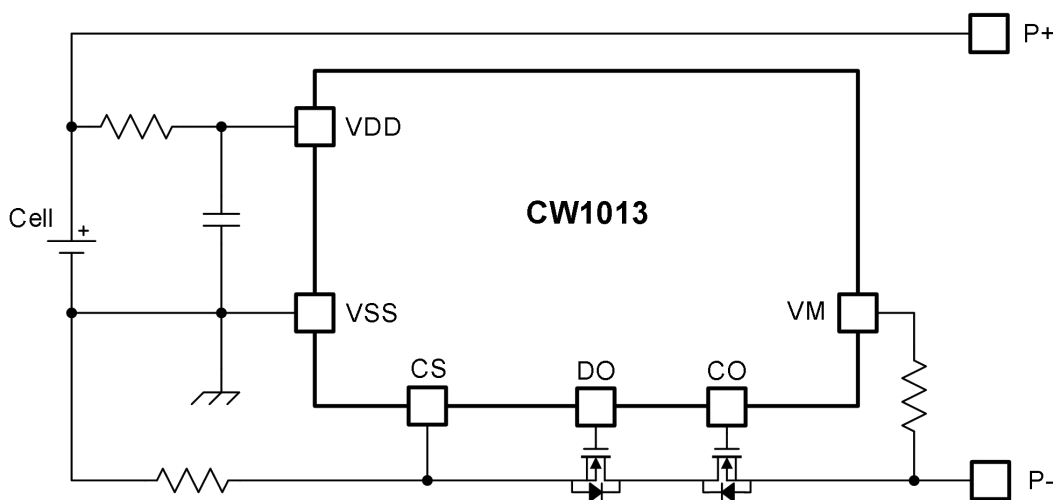


Figure1. Typical Application

单击下面可查看定价，库存，交付和生命周期等信息

[>>Cellwise](#)