

BFSI Series



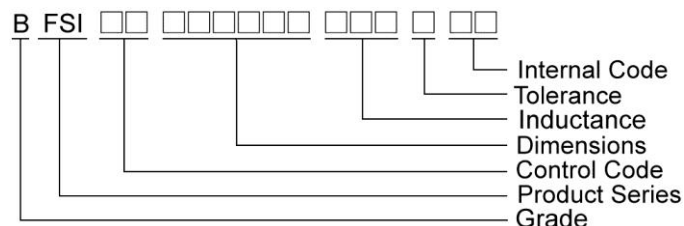
Features

- Shield construction
- Flat wire winding, achieve a low dc resistance
- Low loss, High efficiency, wide application frequency and application scope
- Lightweight design, save a space, suitable for high density SMT
- Heat dissipation

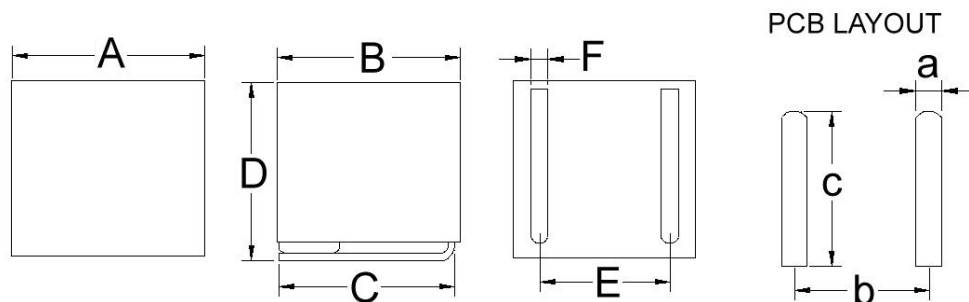
Applications

- Umpc/NBPC
- Desk Top/LCD monitor
- PDA/Lap Top
- Server systems/Computer lord plank
- Mobile Phone/ DV/HDD

Product Identification



Shapes and Dimensions



Dimensions in mm

TYPE	A	B	C	D	E	F	a	b	c
BFSI00090908	9.3Max	9.0Max	6.2±0.3	8.1±0.4	6.0±0.3	1.2±0.1	1.6	6	8
BFSI00121109	12±0.5	11±0.5	8.2±0.3	8.8Max	8.0±0.3	1.6±0.1	2.0	8	10

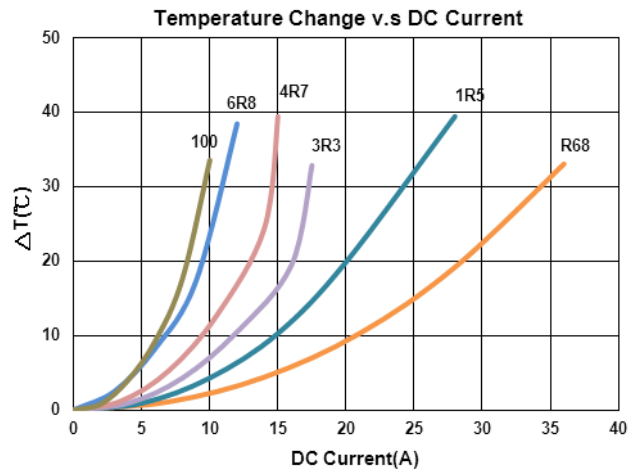
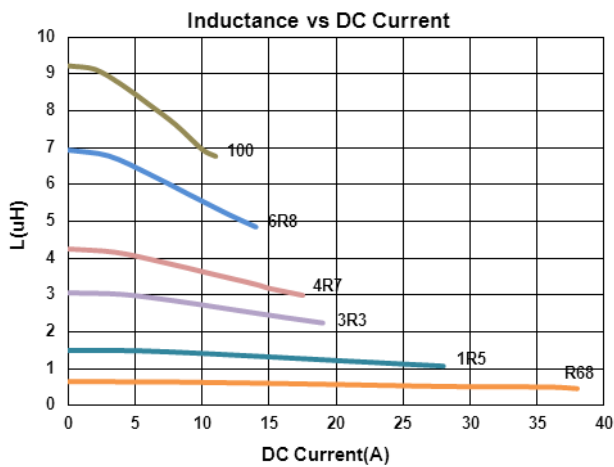
SMD Power Chokes – BFSI Series

Electrical Characteristics

Part Number	Inductance (μH)	Tolerance (±%)	Test Frequency (kHz)	RDC(mΩ) Max(Typ)	Isat (A)Typ.	Irms (A)Typ.
BFSI00090908R68M05	0.68	20	100/1V	2(1.3)	38	36
BFSI000909081R0M05	1.0	20	100/1V	2.5(1.7)	31	34
BFSI000909081R5M05	1.5	20	100/1V	3.5(2.5)	28	28
BFSI000909082R2M05	2.2	20	100/1V	3.8(2.9)	24	25
BFSI000909083R3M05	3.3	20	100/1V	6.5(5.6)	19	17.5
BFSI000909084R7M05	4.7	20	100/1V	8.5(7)	17.5	15
BFSI000909086R8M05	6.8	20	100/1V	13(12)	14	12
BFSI000909088R2M05	8.2	20	100/1V	15(13.3)	12	11
BFSI00090908100M05	10	20	100/1V	15.5(13.8)	11	10

Note: When ordering, please specify tolerance code. Tolerance: M=±20%

- Customized Specifications are welcome
- Isat for Inductance drop 30% from its value with current
- Irms for a 40°C temperature rise from 25°C ambient with current
- Measure Equipment :
 L : WK4237
 RDC : CHEN HWA502
 Isat & Irms : WK3260B/ 3265



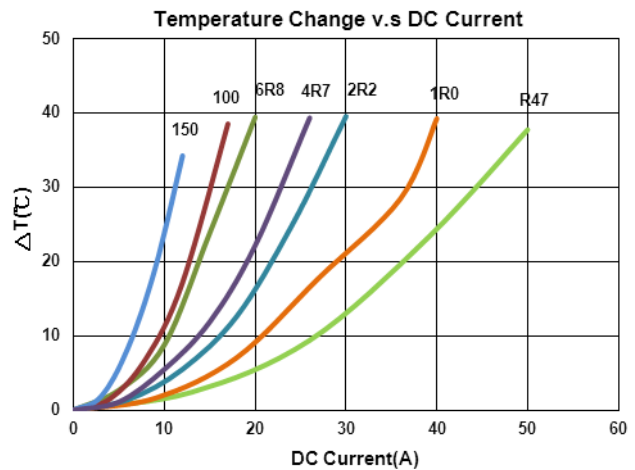
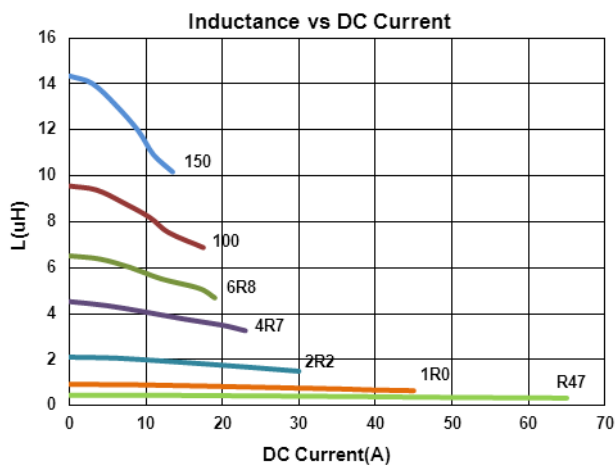
SMD Power Chokes – BFSI Series

Electrical Characteristics

Part Number	Inductance (μH)	Tolerance (±%)	Test Frequency (kHz)	RDC(mΩ) Max(Typ)	Isat (A)Typ.	Irms (A)Typ.
BFSI00121109R47M05	0.47	20	100/1V	1.5(1.1)	65	50
BFSI001211091R0M05	1.0	20	100/1V	2.0(1.5)	45	40
BFSI001211091R5M05	1.5	20	100/1V	2.5(2.0)	36	33
BFSI001211092R2M05	2.2	20	100/1V	2.8(2.4)	30	30
BFSI001211093R3M05	3.3	20	100/1V	3.8(3.3)	26	26
BFSI001211094R7M05	4.7	20	100/1V	6.2(5.7)	23	20
BFSI001211095R6M05	5.6	20	100/1V	7.0(6.4)	21	18
BFSI001211096R8M05	6.8	20	100/1V	7.8(6.8)	19	17
BFSI001211098R2M05	8.2	20	100/1V	9.0(8.2)	18	16
BFSI00121109100M05	10	20	100/1V	12(11.3)	17.5	13
BFSI00121109150M05	15	20	100/1V	15(14.3)	13.5	11

Note: When ordering, please specify tolerance code. Tolerance: M=±20%

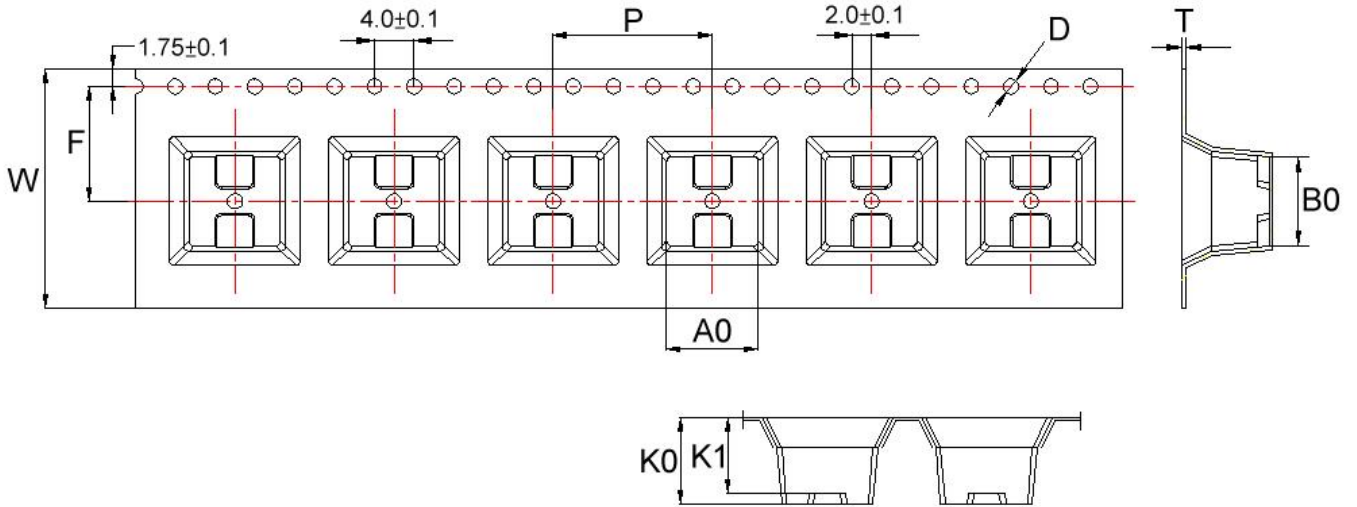
- Customized Specifications are welcome
- Isat for Inductance drop 30% from its value with current
- Irms for a 40°C temperature rise from 25°C ambient with current
- Measure Equipment :
 L : WK4237
 RDC : CHEN HWA502
 Isat & Irms : WK3260B/ 3265



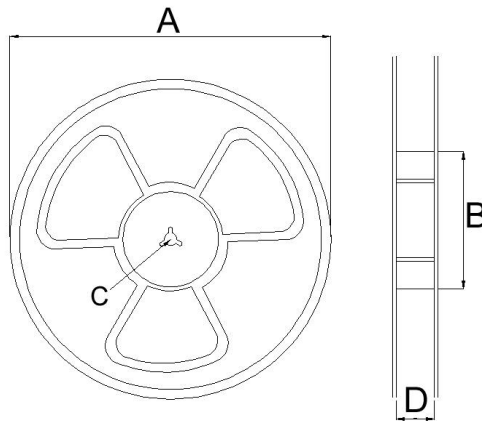
SMD Power Chokes – BFSI Series

Packaging

Tape Dimensions



Reel Dimensions



Dimensions in mm

TYPE	Tape Dimensions									Reel Dimensions				Quantity
	A0	B0	K0	K1	D	F	W	T	P	A	B	C	D	PCS / REEL
BFSI00090908	9.2	9	8.8	7.60	1.5	11.5	24	0.4	16	330	100	13	24.3	300
BFSI00121109	12.2	11	9.0	8.07	1.5	11.5	24	0.5	20	330	100	13	24.3	240

单击下面可查看定价，库存，交付和生命周期等信息

[>>CHILISIN\(奇力新\)](#)