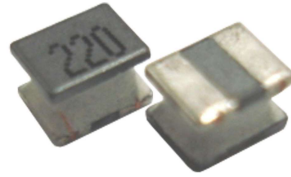


## Chip Inductor AWVI Series

Automotive  
AEC-Q200

RoHS Compliant  
Halogen Free  
REACH Compliant

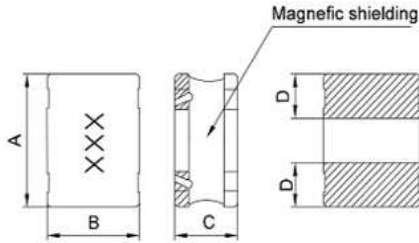


### Part Numbering

| A     | WVI         | 00           | 322522               | 3R3               | K               | H2            |
|-------|-------------|--------------|----------------------|-------------------|-----------------|---------------|
| Grade | Series Name | Control Code | Dimensions Code (mm) | Inductance (uH)   | Tolerance       | Internal Code |
|       |             |              | 322522 3.2x2.5x2.2   | 3R3 3.3<br>100 10 | K ±10%<br>J ±5% |               |

**AWVI00322522 Type**

**■ Dimensions**

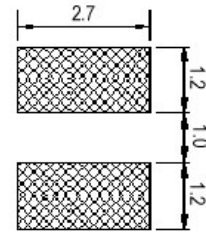


Dimensions in mm

| TYPE | 322522  |
|------|---------|
| A    | 3.2±0.2 |
| B    | 2.5±0.2 |
| C    | 2.2±0.2 |
| D    | 1.1 typ |

unit:mm

**■ Recommended Land Pattern**



unit:mm

**■ Electrical Characteristics**

| Part No.           | Inductance (uH) | Test Freq. (MHz) | Q Min. | SRF (MHz)Min. | RDC (Ω)Max. | I <sub>rms</sub> (mA)Max. | Tolerance (±%) | Marking |
|--------------------|-----------------|------------------|--------|---------------|-------------|---------------------------|----------------|---------|
| AWVI00322522R68□H2 | 0.68            | 7.96/2.52        | 10     | 190           | 0.065       | 1400                      | 5,10,20        | R68     |
| AWVI003225221R0□H2 | 1               | 7.96/2.52        | 10     | 150           | 0.1         | 1150                      | 5,10,20        | 1R0     |
| AWVI003225221R5□H2 | 1.5             | 7.96/2.52        | 10     | 110           | 0.14        | 900                       | 5,10,20        | 1R5     |
| AWVI003225221R8□H2 | 1.8             | 7.96/2.52        | 10     | 75            | 0.15        | 850                       | 5,10,20        | 1R8     |
| AWVI003225222R2□H2 | 2.2             | 7.96/2.52        | 10     | 70            | 0.16        | 800                       | 5,10,20        | 2R2     |
| AWVI003225222R7□H2 | 2.7             | 7.96/2.52        | 10     | 45            | 0.18        | 780                       | 5,10,20        | 2R7     |
| AWVI003225223R3□H2 | 3.3             | 7.96/2.52        | 10     | 45            | 0.18        | 770                       | 5,10,20        | 3R3     |
| AWVI003225224R7□H2 | 4.7             | 7.96/2.52        | 10     | 40            | 0.25        | 700                       | 5,10,20        | 4R7     |
| AWVI003225226R8□H2 | 6.8             | 7.96/2.52        | 10     | 35            | 0.35        | 570                       | 5,10,20        | 6R8     |
| AWVI00322522100□H2 | 10              | 2.52/2.52        | 12     | 25            | 0.46        | 500                       | 5,10,20        | 100     |
| AWVI00322522150□H2 | 15              | 2.52/2.52        | 12     | 20            | 0.72        | 390                       | 5,10,20        | 150     |
| AWVI00322522220□H2 | 22              | 2.52/2.52        | 12     | 14            | 1           | 330                       | 5,10,20        | 220     |
| AWVI00322522330□H2 | 33              | 2.52/2.52        | 15     | 10            | 1.4         | 280                       | 5,10,20        | 330     |
| AWVI00322522470□H2 | 47              | 2.52/2.52        | 15     | 8             | 2.1         | 230                       | 5,10,20        | 470     |
| AWVI00322522680□H2 | 68              | 2.52/2.52        | 15     | 8             | 3.4         | 180                       | 5,10,20        | 680     |
| AWVI00322522101□H2 | 100             | 0.796/0.796      | 17     | 6             | 4.8         | 150                       | 5,10,20        | 101     |
| AWVI00322522121□H2 | 120             | 0.796/0.796      | 17     | 5             | 6.2         | 140                       | 5,10,20        | 121     |
| AWVI00322522151□H2 | 150             | 0.796/0.796      | 17     | 5             | 7.5         | 120                       | 5,10,20        | 151     |
| AWVI00322522181□H2 | 180             | 0.796/0.796      | 17     | 4             | 9.8         | 110                       | 5,10,20        | 181     |
| AWVI00322522221□H2 | 220             | 0.796/0.796      | 17     | 4             | 10.9        | 100                       | 5,10,20        | 221     |
| AWVI00322522331□H2 | 330             | 0.796/0.796      | 17     | 3.5           | 13          | 90                        | 5,10,20        | 331     |
| AWVI00322522471□H2 | 470             | 0.796/0.796      | 17     | 2.5           | 20          | 76                        | 5,10,20        | 471     |
| AWVI00322522561□H2 | 560             | 0.796/0.796      | 10     | 2.5           | 27.0        | 70                        | 5,10,20        | 561     |
| AWVI00322522681□H2 | 680             | 0.796/0.796      | 10     | 2             | 31.0        | 61                        | 5,10,20        | 681     |
| AWVI00322522102□H2 | 1000            | 0.1/0.1          | 10     | 1.5           | 40.0        | 60                        | 5,10,20        | 102     |

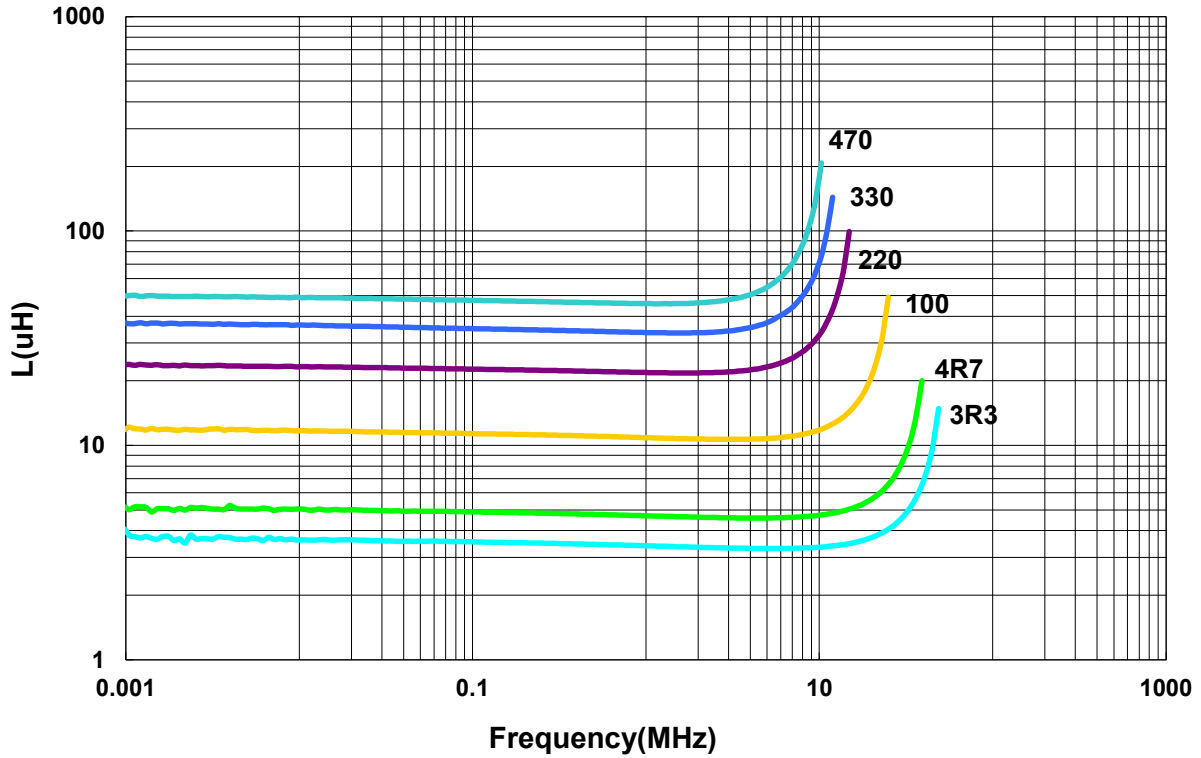
**Note: When ordering, please specify tolerance code. Tolerance: J=±5% / K=±10% / M=±20%**

1. Operating temperature range -40°C ~ 125°C (Including self - temperature rise)
2. I<sub>rms</sub> for a 15°C temperature rise from 25°C ambient with current
3. L/Q Test OSC @100mV.
4. Measure Equipment:  
 L/Q: HP 4285A+HP 42841A(under 1MHz).L/Q: HP E4991A.(over 1MHz)  
 RDC: Chroma 16502 , or equivalent  
 SRF: Agilent E4991A+Agilent HP16197A or equivalent  
 I<sub>rms</sub>: HP4285A+HP42841A

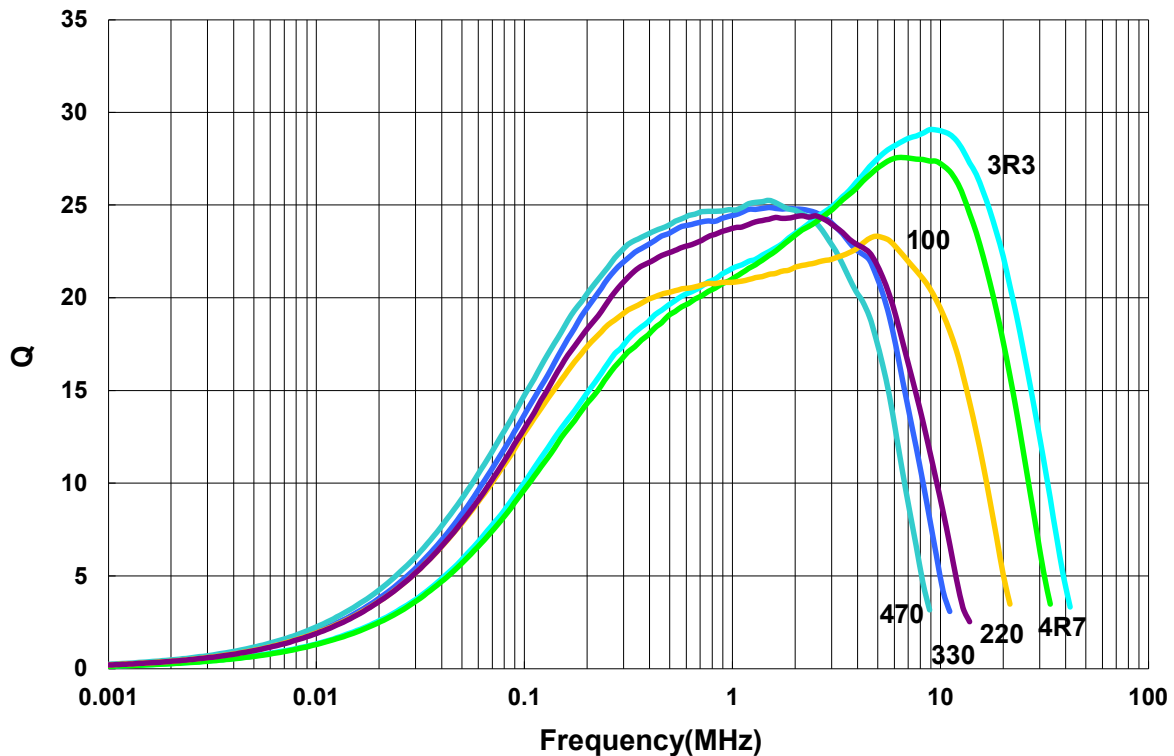
AWVI00322522 Type

**Characteristics Graph**

**Inductance vs. Frequency Characteristics**



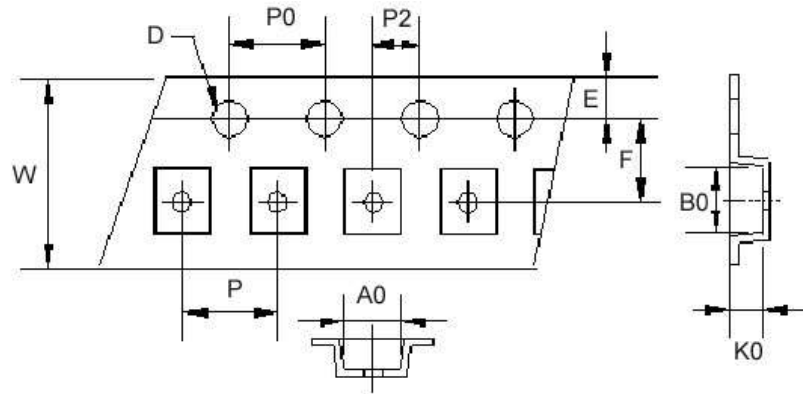
**Frequency vs. Q**



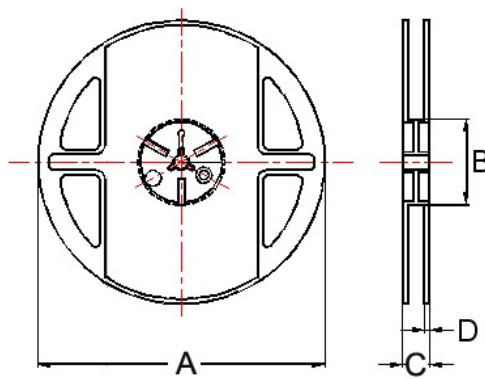
Please be sure to request approval specifications that provide further details of the products. Kindly note that the content of these specifications are subject to change or may be discontinued without prior notice. This product may not be designed/used in medical or high risk applications without Chilisin approval. Please contact our sales department before ordering.

**■ Packaging**

Tape Dimensions



Reel Dimensions



Dimensions in mm

| TYPE         | Tape Dimensions |     |     |     |      |     |   |   |    |    |     | Reel Dimensions |    |     |            | Quantity |
|--------------|-----------------|-----|-----|-----|------|-----|---|---|----|----|-----|-----------------|----|-----|------------|----------|
|              | A0              | B0  | K0  | D   | E    | F   | W | P | P0 | P2 | A   | B               | C  | D   | PCS / Reel |          |
| AWVI00322522 | 2.8             | 3.4 | 2.4 | 1.5 | 1.75 | 3.5 | 8 | 4 | 4  | 2  | 178 | 60              | 12 | 1.5 | 1000       |          |