

Power Inductor AMRM Series

**Automotive
AEC-Q200**

RoHS Compliant
Halogen Free
REACH Compliant

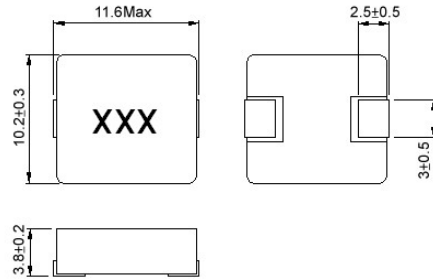


- Power Circuit
- Shield
- Wire Wound
- Metal
- Ultra High Current

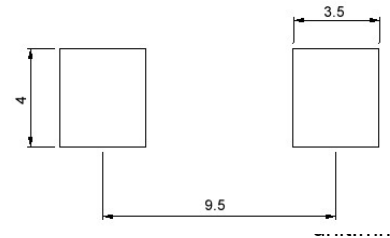
Part Numbering

A	MRM	00	101040	1R0	M	A1
Grade	Series Name	Control Code	Dimensions Code (mm)	Inductance (uH)	Tolerance	Internal Code
			101040 10.2x11.6x3.8	R22 0.22 1R0 1.0 3R3 3.3	M ±20%	

Please be sure to request approval specifications that provide further details of the products. Kindly note that the content of these specifications are subject to change or may be discontinued without prior notice. This product may not be designed/used in medical or high risk applications without Chilisin approval. Please contact our sales department before ordering.

AMRM00101040 Type
■ Dimensions


unit:mm

■ Recommended Land Pattern

■ Electrical Characteristics

Part No.	Inductance (uH)	Test Freq.	RDC(mΩ) Max(Typ)	Isat (A)Typ.	Irms (A)Typ.	Tolerance (±%)	Marking
AMRM001010401R0MA1	1	100kHz/0.5V	3.3(3.0)	20	18	20	1R0
AMRM001010402R2MA1	2.2	100kHz/0.5V	6.8(6.0)	16	14	20	2R2
AMRM001010403R3MA1	3.3	100kHz/0.5V	11(10)	13	11	20	3R3
AMRM001010404R7MA1	4.7	100kHz/0.5V	16(14.5)	11	9	20	4R7
AMRM001010406R8MA1	6.8	100kHz/0.5V	24(20)	9	8	20	6R8
AMRM00101040100MA1	10	100kHz/0.5V	30(27)	7	6.5	20	100
AMRM00101040150MA1	15	100kHz/0.5V	45(40)	6.25	6	20	150
AMRM00101040220MA1	22	100kHz/0.5V	66(60)	5	4.5	20	220
AMRM00101040330MA1	33	100kHz/0.5V	100(90)	4	3.5	20	330
AMRM00101040470MA1	47	100kHz/0.5V	165(150)	3.5	3	20	470

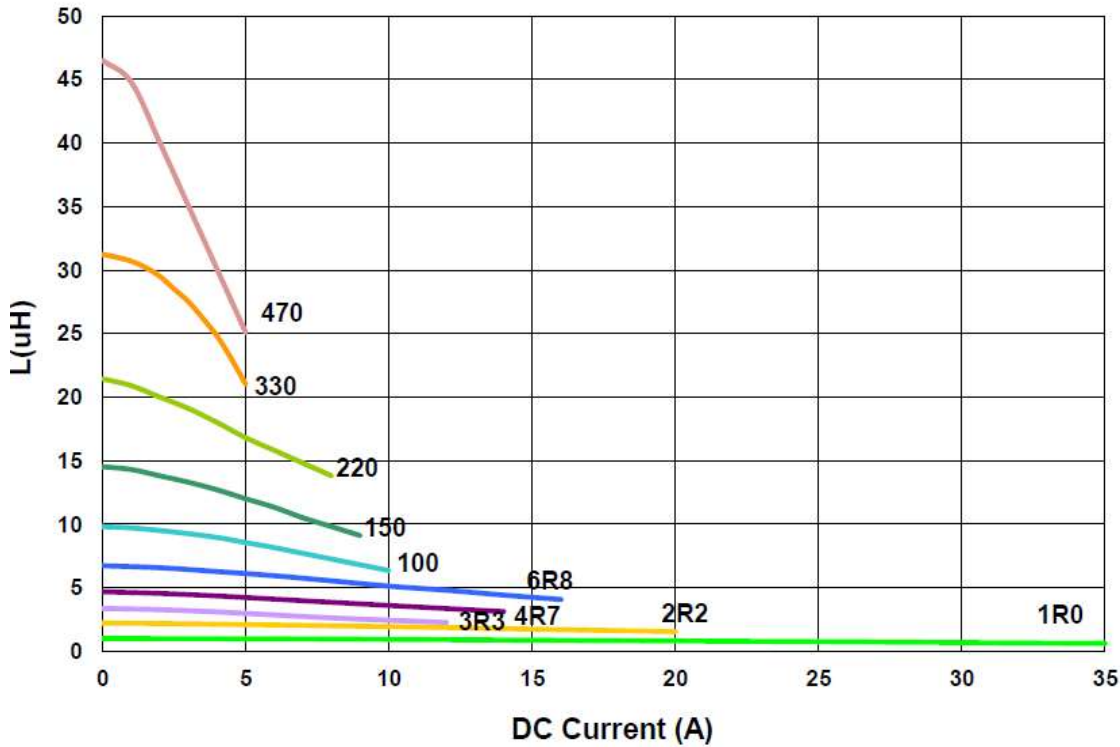
Note: When ordering, please specify tolerance code. Tolerance: M=±20%

1. Operating temperature range $-40^{\circ}\text{C} \sim 125^{\circ}\text{C}$
2. Isat for Inductance drop 30% from its value without current
3. I rms for a 40°C temprature rise from 25°C ambient with current
4. Absolute maximum voltage 30VDC
5. Measure Equipment:
 L: WK3260B or WK6500P
 RDC: CHEN HWA502 or 16502
 Isat: WK3260B+WK3265B
 I rms: CHROMA 1810

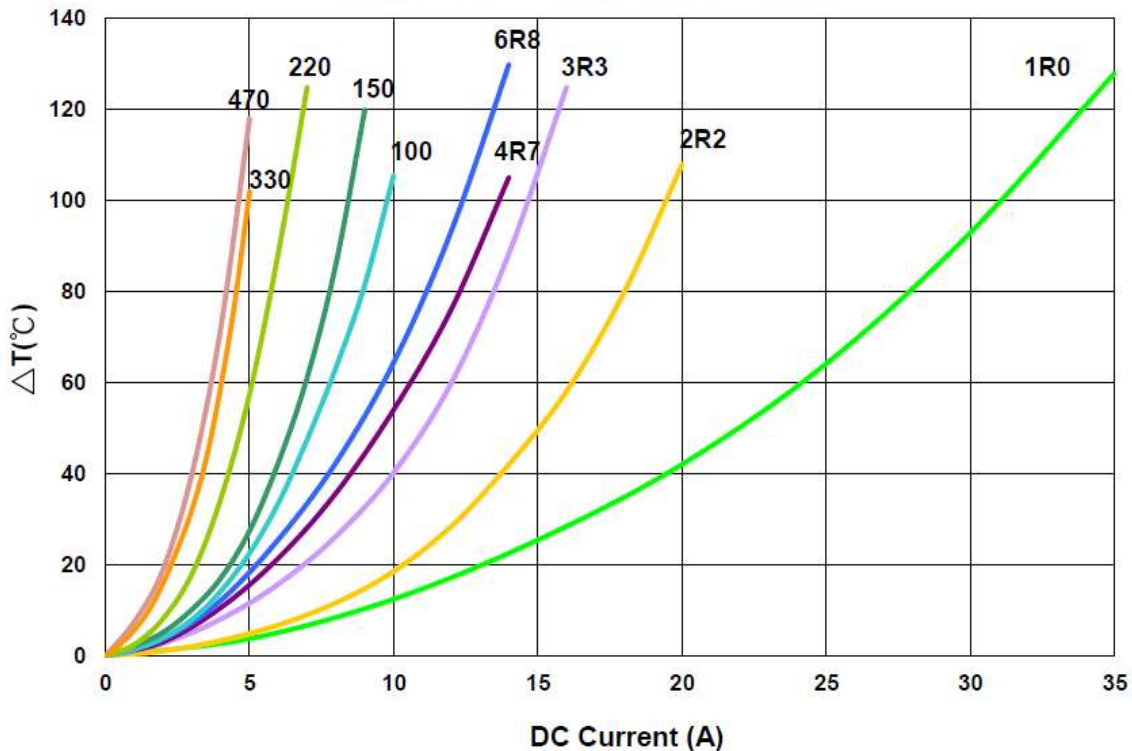
AMRM00101040 Type

Characteristics Graph

Inductance vs. DC Current



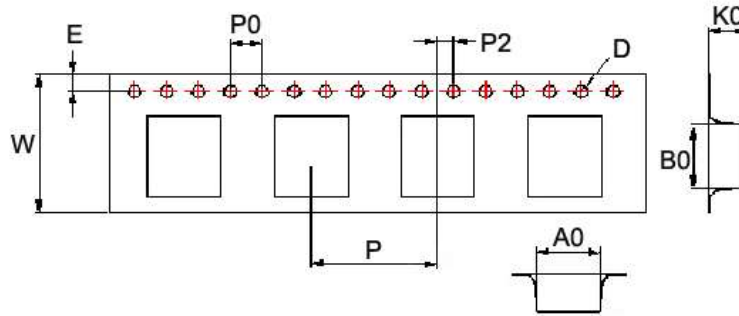
Temperature Change vs. DC Current



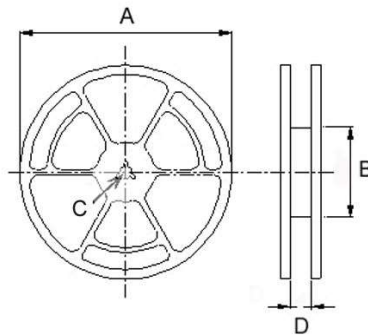
Please be sure to request approval specifications that provide further details of the products. Kindly note that the content of these specifications are subject to change or may be discontinued without prior notice. This product may not be designed/used in medical or high risk applications without Chilisin approval. Please contact our sales department before ordering.

■ Packaging

Tape Dimensions



Reel Dimensions



Dimensions in mm

TYPE	Tape Dimensions									Reel Dimensions				Quantity
	A0	B0	K0	D	E	W	P	P0	P2	A	B	C	D	PCS / REEL
AMRM00101040	10.6	11.7	4.25	1.55	1.75	24	16	4	2	330	100	13	24.4	500

Please be sure to request approval specifications that provide further details of the products. Kindly note that the content of these specifications are subject to change or may be discontinued without prior notice. This product may not be designed/used in medical or high risk applications without Chilisin approval. Please contact our sales department before ordering.

单击下面可查看定价，库存，交付和生命周期等信息

[>>CHILISIN\(奇力新\)](#)