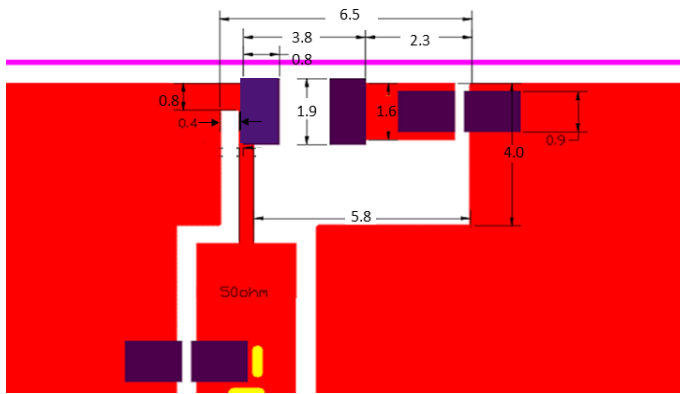


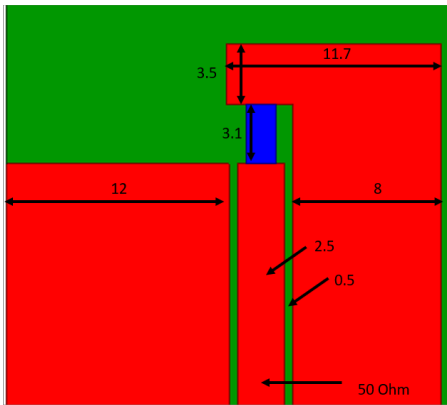
SMD Chip Series Antenna – BTCA Series

Recommended Pattern

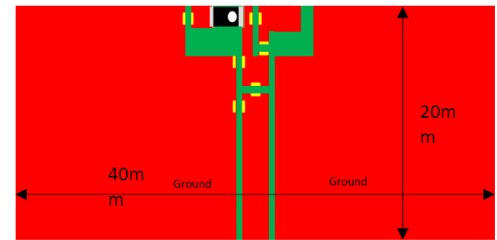
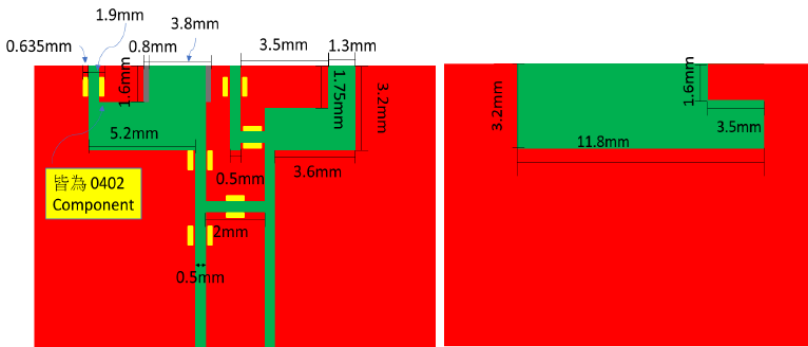
BTCA00321609002G4W



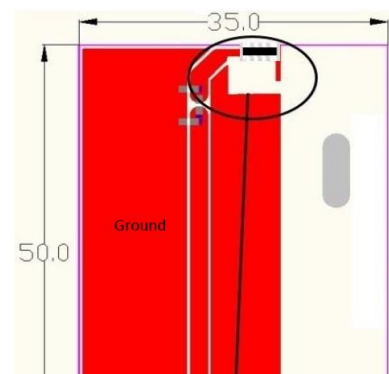
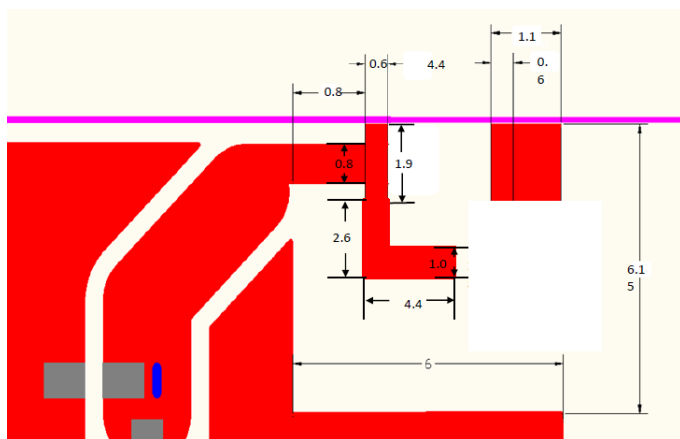
BTCA00321609005G0W



BTCA003216080025GE



BTCA005020100025GM



SMD Chip Series Antenna – BTCA Series

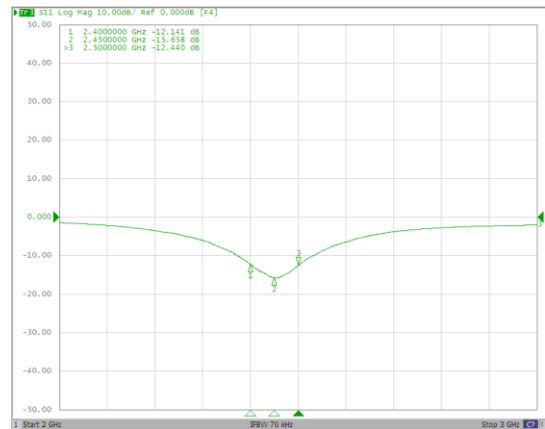
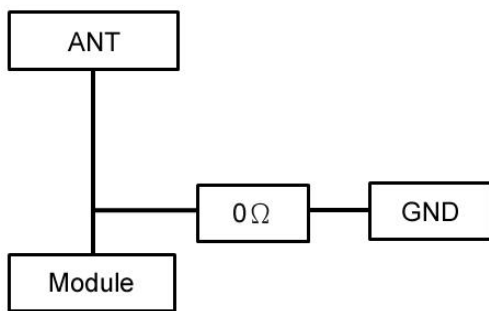
Electrical Characteristics

Part Number	Impedance (Ω)	Test Frequency (GHz)	Bandwidth* (MHz)	Peak Gain* (dBi)	VSWR (Max)	Polarization
BTCA00321609002G4W	50	2.4	100	0~1	2	Linear
BTCA00321609005G0W	50	5	100	-0.3~1.3	2	Linear
BTCA003216080025GE	50	2.4 5	100	1~2	2	Linear
BTCA005020100025GM	50	2.4 5	100	3.2	2	Linear

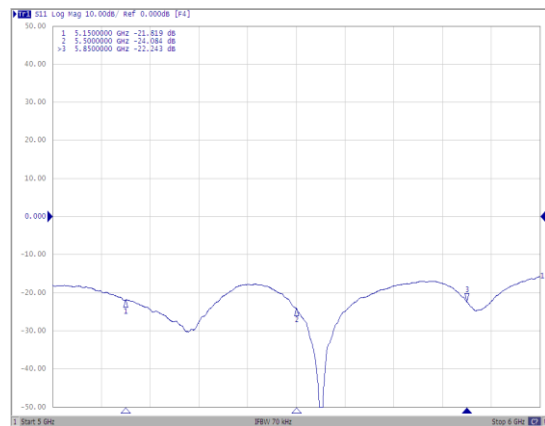
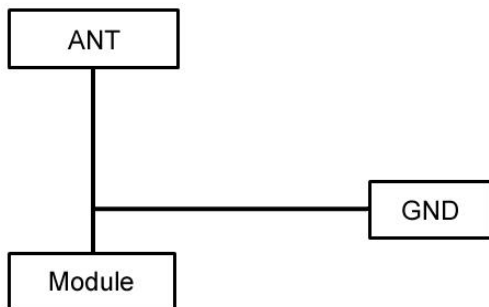
Note: *Depend on PCB layout.

Test Instruments : Agilent E4991A Material/Impedance Analyzer

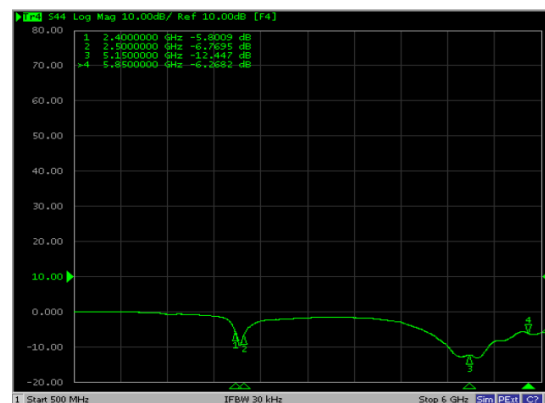
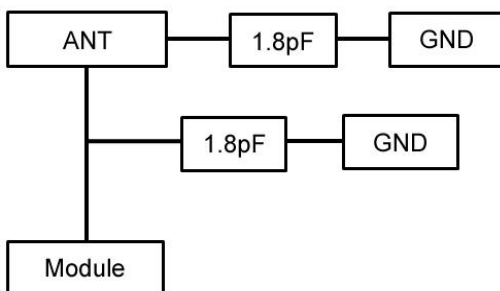
BTCA00321609002G4W



BTCA00321609005G0W



BTCA003216080025GE

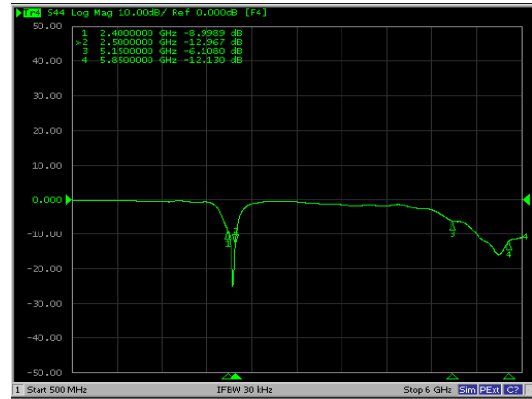
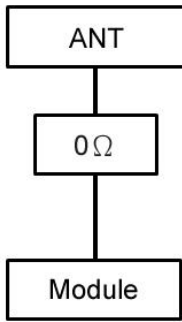


Please be sure to request approval specifications that provide further details of the products. Kindly note that the content of these specifications are subject to change or may be discontinued without prior notice. This product may not be designed/used in medical or high risk applications without Chilisin approval. Please contact our sales department before

SMD Chip Series Antenna – BTCA Series

Test Instruments : Agilent E4991A Material/Impedance Analyzer

BTCA005020100025GM



Please be sure to request approval specifications that provide further details of the products. Kindly note that the content of these specifications are subject to change or may be discontinued without prior notice. This product may not be designed/used in medical or high risk applications without Chilisin approval. Please contact our sales department before

Downloaded From Oneyac.com

Packaging Specifications

Tape Dimensions

Reel Dimensions

FIG 1

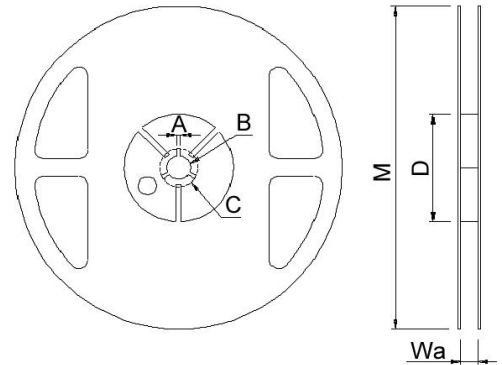
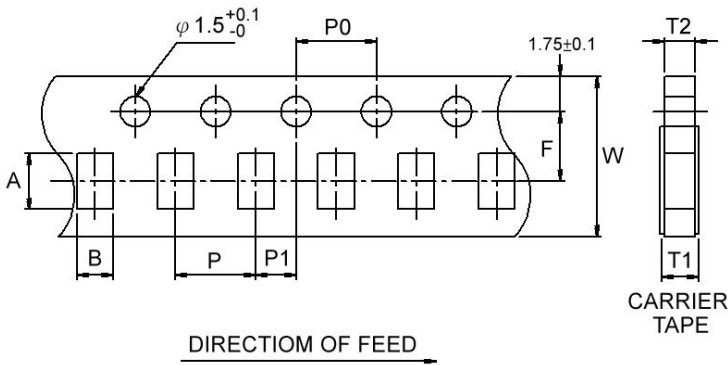
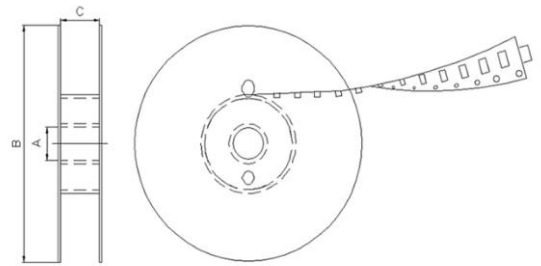
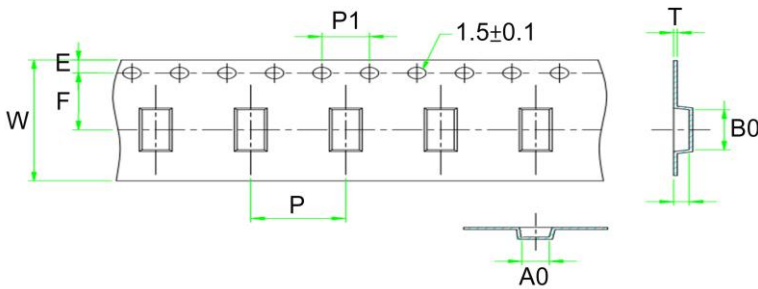


FIG 2



Dimensions

TYPE	FIG	Tape Dimensions										Reel Dimensions						Quantity PCS / REEL
		A	B	T1	W	P	P0	P1	F	T2	Wa	M	A	B	C	D		
BTCA00321605	1	3.5	1.9	0.75	8	4	4	2	3.5	0.75	9	178	2	13.5	21	60	5000	
											12	178	2	13.2	17.7	60		
TYPE	FIG	Tape Dimensions										Reel Dimensions				Quantity PCS / REEL		
		A0	B0	T	E	W	P	P0	F	K0	A	B	C	D				
BTCA005020	2	2.3	5.3	0.3	1.75	16	8	4	7.5	1.3	100	330	12	-	5000			

单击下面可查看定价，库存，交付和生命周期等信息

[>>CHILISIN\(奇力新\)](#)