



ISO9001 ISO14001 IATF16949 CHILISIN ELECTRONICS CORP.

RoHS & Halogen Free & REACH Compliance.

## SPECIFICATION FOR APPROVAL

Customer : \_\_\_\_\_

Customer P/N: \_\_\_\_\_

Drawing No : \_\_\_\_\_

Quantity :   X   Pcs. Date :   2020/08/17  

Chilisin P/N :           BWVF005050201R5T00          

SPECIFICATION ACCEPTED BY:	
COMPONENT ENGINEER	
ELECTRICAL ENGINEER	
MECHANICAL ENGINEER	
APPROVED	
REJECTED	

**奇力新電子股份有限公司**  
Chilisin Electronics Corp  
No. 29, Alley 301, Tehhsin Rd.,  
Hukou, Hsinchu 303, Taiwan  
TEL : +886-3- 599-2646  
FAX : +886-3- 599-9176  
E-mail : sales@chilisin.com  
http : //www.chilisin.com

**東莞奇力新電子(東莞廠)有限公司**  
Chilisin Electronics (Dongguan) Co., Ltd.  
No. 78, Puxing Rd., Yuliangwei Administration Area,  
Qingxi Town, Dongguan City, Guangdong, China  
TEL : +86-769-8773-0251~3  
FAX : +86-769-8773-0232  
E-mail : cect@chilisin.com

**奇力新電子(越南廠)有限公司**  
Chilisin Electronics (Vietnam) Limited  
No 143 - 145, Road No 10, VSIP Hai Phong,  
Lap Le Commune, Thuy Nguyen Dist,  
Haiphong City, Vietnam  
Tel : 84-316 255 688 Fax : 84-316 255  
689  
E-mail : sales@chilisin.com

**奇力新電子(湖南廠)有限公司**  
HuNan Chilisin Electronics Technology Co., Ltd  
No. 8, Shaziao Liangshuijing Town, Yuanling  
County, Huaihua City, Hunan Province 419601,  
China  
Tel : 86-745-867-5882  
E-mail : cect@chilisin.com

Drawn by  
**朱育鈺**

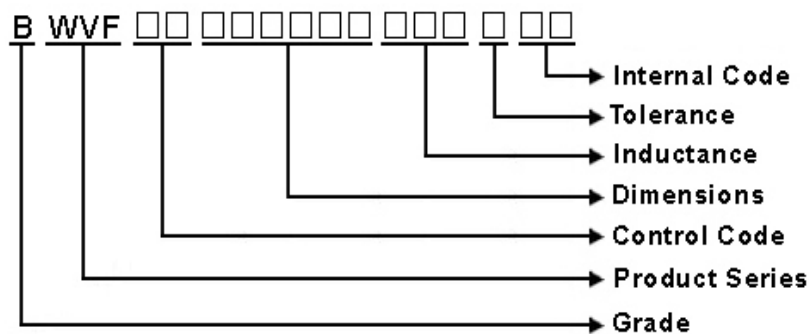
Checked by  
**鍾德慶 shawn.zhong**

Approved by  
**葉信賢 Ben.Yeh**

# BWVF00505020 Series Specification

**1 Scope:** This specification applies to Wire Wound Power Inductors

**2 Part Numbering:**

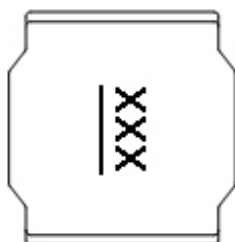


**3 Rating:**

Operating Temperature:  $-5.5^{\circ}\text{C} \sim 125^{\circ}\text{C}$  (Including self - temperature rise)

Storage Temperature:  $20^{\circ}\text{C} \sim 25^{\circ}\text{C}$  R.H. 65% (In Tape & Reel Condition)

**4 Marking:**



**Ex Marking : 100**

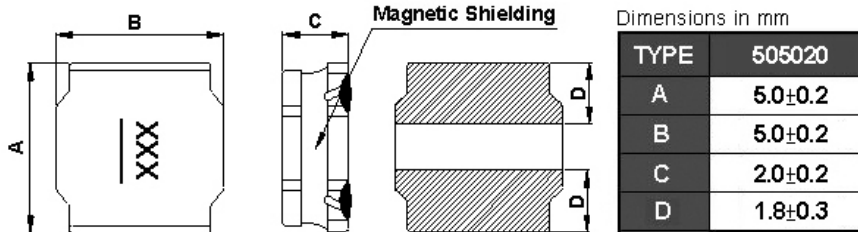
**Marking color : Black**

**5 Standard Testing Condition**

	Unless otherwise specified	In case of doubt
Temperature	Ordinary Temperature(15 to 35°C)	20 to 30°C
Humidity	Ordinary Humidity(25 to 85% RH)	50 to 80 %RH

## BWVF00505020 Series Specification

### 6 Configuration and Dimensions:



### 7 Electrical Characteristics:

Part No.	Inductance (uH)	Test Freq.	RDC (mΩ)±30%	Isat(A) Typ.(Max)	Irms(A) Typ.(Max)	Tolerance (±%)	Marking
BWVF005050201R0□00	1	100kHz,1V	18	6.0(5.40)	4.1(3.69)	20,30	1R0
BWVF005050201R5□00	1.5	100kHz,1V	23	4.9(4.41)	3.5(3.15)	20,30	1R5
BWVF005050201R8□00	1.8	100kHz,1V	26	4.1(3.60)	3.4(3.00)	20,30	1R8
BWVF005050202R2□00	2.2	100kHz,1V	30	4.0(3.60)	3.3(2.97)	20,30	2R2
BWVF005050203R6□00	3.6	100kHz,1V	50	3.1(2.70)	2.7(2.40)	20,30	3R6
BWVF005050203R9□00	3.9	100kHz,1V	53	2.9(2.61)	2.6(2.34)	20,30	3R9
BWVF005050204R7□00	4.7	100kHz,1V	60	2.7(2.43)	2.2(1.98)	20,30	4R7
BWVF005050206R8□00	6.8	100kHz,1V	93	2.2(1.98)	1.8(1.62)	20,30	6R8
BWVF00505020100□00	10	100kHz,1V	125	1.8(1.62)	1.6(1.44)	20,30	100
BWVF00505020150□00	15	100kHz,1V	195	1.4(1.26)	1.2(1.08)	20,30	150
BWVF00505020220□00	22	100kHz,1V	265	1.2(1.08)	1.0(0.90)	20,30	220

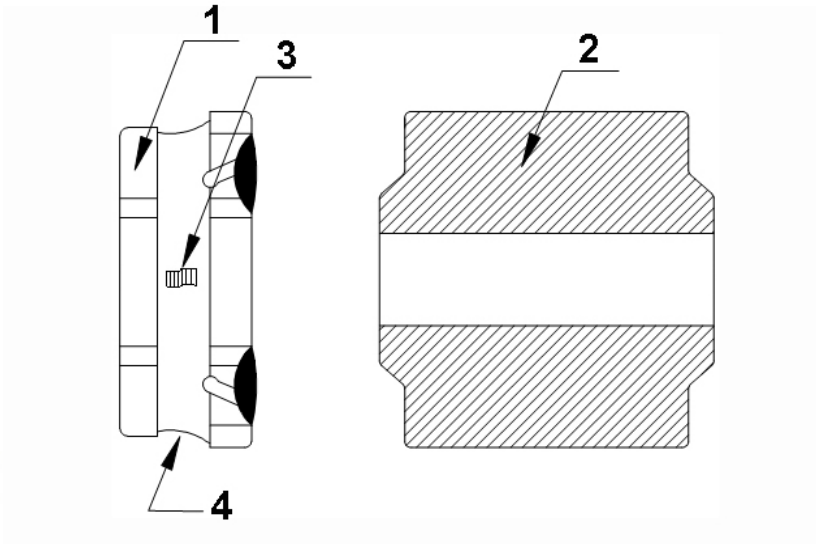
NOTE: □-tolerance M=±20% / T=±30%

1. Operating temperature range - 5 5 °C ~ 1 2 5 °C (Including self - temperature rise)
2. Isat for Inductance drop 30% from its value without current.
3. I rms for a 40°C temperature rise from 25°C ambient.

## BWVF00505020 Series Specification

### 8 BWVF00505020 Series

#### 8.1 Construction:



#### 8.2 Material List:

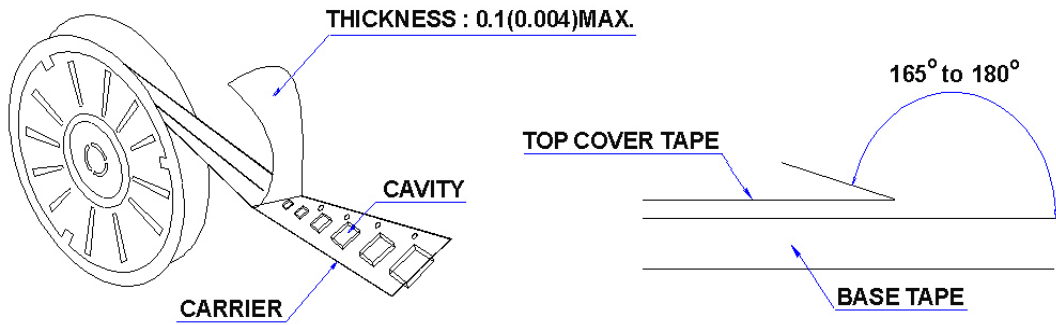
No	Part	Material
1	CORE	FERRITE
2	TERMINAL	Ag/Cu/Ni/Sn
3	WIRE	Grade 180
4	EPOXY	Magnetic powder resin

# BWVF00505020 Series Specification

## 9 Packaging:

### 9.1 Packaging -Cover tape

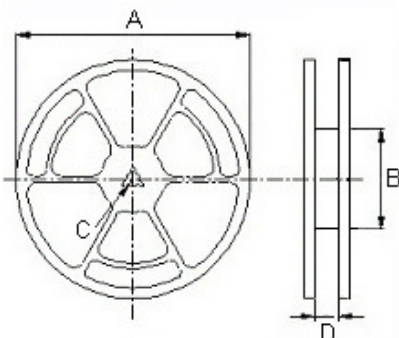
The force for tearing off cover tape is 10 to 130 grams in the arrow direction.



### 9.2 Packaging Quantity

TYPE	PCS/REEL
505020	2000

### 9.3 Reel Dimensions



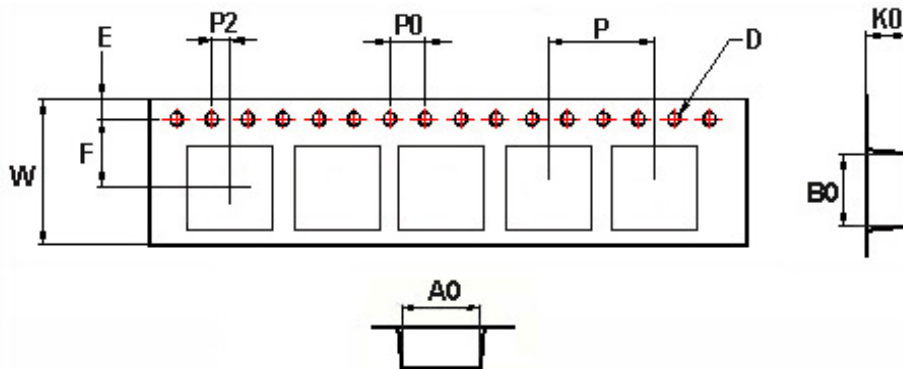
Dimensions in mm

TYPE	A	B	C	D
505020	330	100	13	13.4

# BWVF00505020 Series Specification

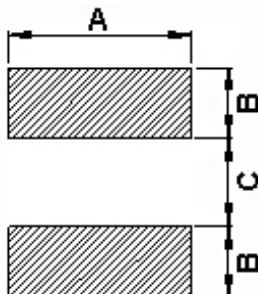
## 9 Packaging:

### 9.4 Tape Dimensions in mm



TYPE	A0	B0	K0	D	E	F	W	P	P0	P2
505020	5.25	5.25	2.2	1.55	1.75	5.5	12	8	4	2

## 10 Recommended Land Pattern:



Dimensions in mm

TYPE	A	B	C
505020	4.2	1.6	2.0

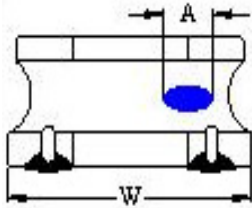
## 11 Note:

1. Please make sure that your product has been evaluated and confirmed against your specifications when our product is mounted to your product.
2. Do not knock nor drop.
3. All the items and parameters in this product specification have been prescribed on the premise that our product is used for the purpose, under the condition and in the environment agreed upon between you and us. You are requested not to use our product deviating from such agreement.
4. Please keep the distance between transformer/coil and other components (refer to the standard IEC 950)
5. The moisture sensitivity level (MSL) of products is classified as level 1.

# BWVF00505020 Series Specification

## 11 Note:

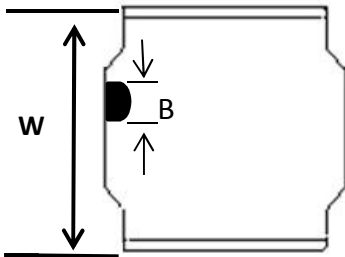
### 6. Void Appearance tolerance Limit



**Exposed wire tolerance limit of coating resin part on product side.**  
The unilateral should be no more than two holes.

$$A \leq W/2 \text{ GOOD}$$

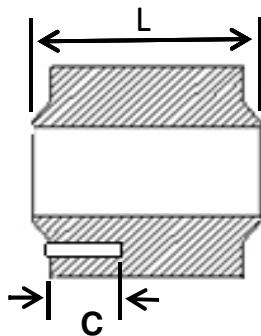
$$A > W/2 \text{ NG}$$



**The appearance standard of the chipping size in top side.**

$$B \leq W/8 \text{ GOOD}$$

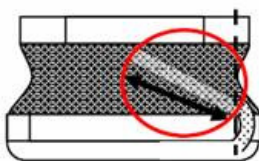
$$B > W/8 \text{ NG}$$



**Electrode appearance criterion for exposed wire.**

$$C \leq L/4 \text{ GOOD}$$

$$C > L/4 \text{ NG}$$

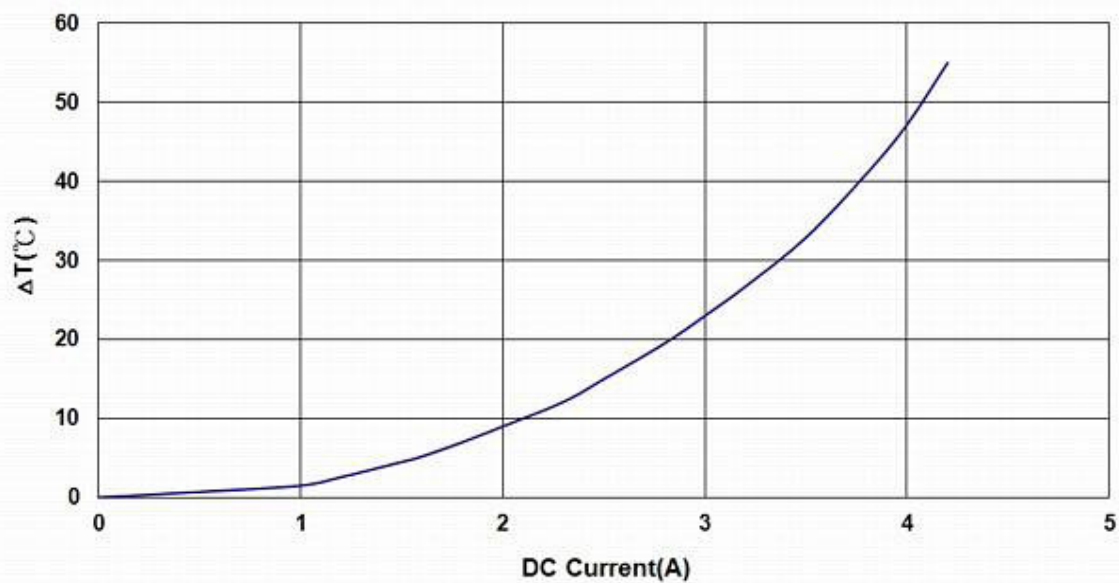
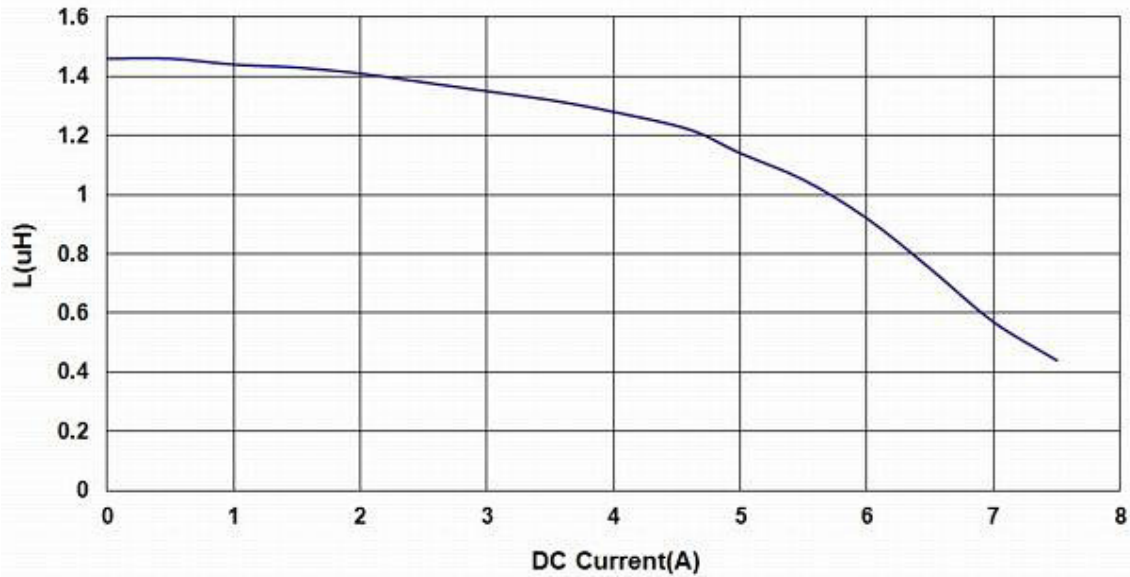


**External appearance criterion for wxposed wire**

Exposed end of the winding wire at the side should be acceptable.

## BWVF00505020 Series Specification

12 Graph: BWVF005050201R5T00



Temperature test conditions:

1. Start as the atmosphere temp. @25°C.
2. Take the reading once it becomes stable.
3. Need to wait 90Sec at least, then change to the next applied current value.



单击下面可查看定价，库存，交付和生命周期等信息

[>>CHILISIN\(奇力新\)](#)