



ISO9001 ISO14001 IATF16949 CHILISIN ELECTRONICS CORP.

RoHS & Halogen Free & REACH Compliance.

SPECIFICATION FOR APPROVAL

Customer : 各廠家

Customer P/N:

Drawing No :

Quantity : 0 Pcs. Date : 2018/11/13

Chilisin P/N : CLH2012T-6N8J-S

SPECIFICATION ACCEPTED BY:	
COMPONENT ENGINEER	
ELECTRICAL ENGINEER	
MECHANICAL ENGINEER	
APPROVED	
REJECTED	

奇力新電子股份有限公司
Chilisin Electronics Corp
No. 29, Alley 301, Tehhsin Rd.,
Hukou, Hsinchu 303, Taiwan
TEL : +886-3- 599-2646
FAX : +886-3- 599-9176
E-mail : sales@chilisin.com
http : //www.chilisin.com

東莞奇力新電子(東莞廠)有限公司
Chilisin Electronics (Dongguan) Co., Ltd.
No. 78, Puxing Rd., Yuliangwei Administration Area,
Qingxi Town, Dongguan City, Guangdong, China
TEL : +86-769-8773-0251~3
FAX : +86-769-8773-0232
E-mail : cect@chilisin.com

奇力新電子(越南廠)有限公司
Chilisin Electronics (Vietnam) Limited
No 143 - 145, Road No 10, VSIP Hai Phong,
Lap Le Commune, Thuy Nguyen Dist,
Haiphong City, Vietnam
Tel : 84-316 255 688 Fax : 84-316 255
689
E-mail : sales@chilisin.com

奇力新電子(湖南廠)有限公司
HuNan Chilisin Electronics Technology Co., Ltd
No. 8, Shaziao Liangshuijing Town, Yuanling
County, Huaihua City, Hunan Province 419601,
China
Tel : 86-745-867-5882
E-mail : cect@chilisin.com

Drawn by
陳瑞揚 ryan.chen

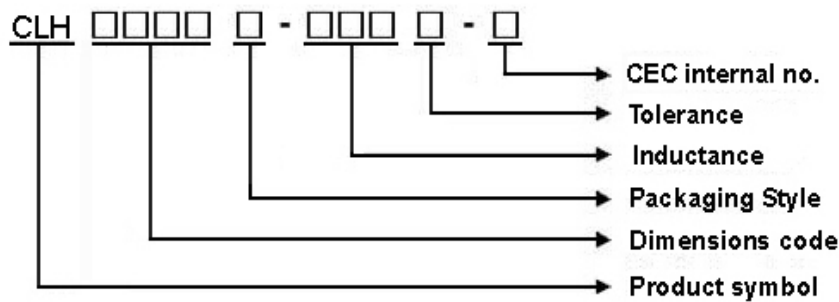
Checked by
溫美玲 ling

Approved by
陳瑞揚 ryan.chen

CLH2012T Series Specification

1 Scope: This specification applies to Multilayer ceramic chip inductors

2 Part Numbering:



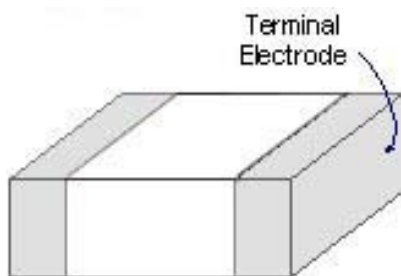
3 Rating:

Operating Temperature: $-55^{\circ}\text{C} \sim 125^{\circ}\text{C}$ (Including self - temperature rise)

Storage Temperature: $-55^{\circ}\text{C} \sim 125^{\circ}\text{C}$ (after PCB)

$-5^{\circ}\text{C} \sim 40^{\circ}\text{C}$, Humidity 40%~70% (before PCB)

4 Marking:

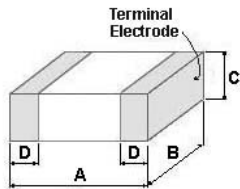


5 Standard Testing Condition

	Unless otherwise specified	In case of doubt
Temperature	Ordinary Temperature(15 to 35°C)	20 to 30°C
Humidity	Ordinary Humidity(25 to 85% RH)	50 to 80 %RH

CLH2012T Series Specification

6 Configuration and Dimensions:



TYPE	CLH2012	
REMARK	< 390nH	≥ 390nH
A m/m	2.0±0.2	
B m/m	1.25±0.2	
C m/m	0.9±0.2	1.2±0.2
D m/m	0.5±0.3	

7 Electrical Characteristics:

Part No.	Inductance (nH)	L,Q Test Freq.	Q Min.	SRF (MHz)Typ.	RDC (Ω)Max.	IDC (mA)Max.	Tolerance
CLH2012T-1N0□-S	1	100 MHz,200 mV	10	>6000	0.1	300	S
CLH2012T-1N2□-S	1.2	100 MHz,200 mV	10	>6000	0.1	300	S
CLH2012T-1N5□-S	1.5	100 MHz,200 mV	10	>6000	0.1	300	S
CLH2012T-1N8□-S	1.8	100 MHz,200 mV	10	>6000	0.1	300	S
CLH2012T-2N2□-S	2.2	100 MHz,200 mV	10	>6000	0.1	300	S
CLH2012T-2N7□-S	2.7	100 MHz,200 mV	12	>6000	0.1	300	S
CLH2012T-3N3□-S	3.3	100 MHz,200 mV	12	>6000	0.13	300	S,K
CLH2012T-3N9□-S	3.9	100 MHz,200 mV	12	5400	0.15	300	S,K
CLH2012T-4N7□-S	4.7	100 MHz,200 mV	12	4500	0.2	300	S,K
CLH2012T-5N6□-S	5.6	100 MHz,200 mV	12	4000	0.23	300	S,K
CLH2012T-6N8□-S	6.8	100 MHz,200 mV	15	3650	0.25	300	J,K
CLH2012T-8N2□-S	8.2	100 MHz,200 mV	15	3000	0.28	300	J,K
CLH2012T-10N□-S	10	100 MHz,200 mV	15	2500	0.3	300	J,K
CLH2012T-12N□-S	12	100 MHz,200 mV	15	2450	0.35	300	J,K
CLH2012T-15N□-S	15	100 MHz,200 mV	15	2000	0.4	300	J,K
CLH2012T-18N□-S	18	100 MHz,200 mV	15	1750	0.45	300	J,K
CLH2012T-22N□-S	22	100 MHz,200 mV	15	1700	0.5	300	J,K
CLH2012T-27N□-S	27	100 MHz,200 mV	15	1550	0.55	300	J,K
CLH2012T-33N□-S	33	100 MHz,200 mV	15	1350	0.6	300	J,K
CLH2012T-39N□-S	39	100 MHz,200 mV	18	1300	0.65	300	J,K
CLH2012T-47N□-S	47	100 MHz,200 mV	18	1200	0.7	300	J,K
CLH2012T-56N□-S	56	100 MHz,200 mV	18	1150	0.75	300	J,K
CLH2012T-68N□-S	68	100 MHz,200 mV	18	1000	0.8	300	J,K
CLH2012T-82N□-S	82	100 MHz,200 mV	18	850	0.9	300	J,K
CLH2012T-R10□-S	100	100 MHz,200 mV	18	730	1	300	J,K

NOTE: □-tolerance J=±5% / K=±10% / S=±0.3nH

1. Operating temperature range - 5 5 °C ~ 1 2 5 °C (Including self - temperature rise)
2. IDC: Applied the current to coils, the inductance shall be less than 10% initial value.
3. Residual impedance of short chip : 0nH



ISO9001 ISO14001 IATF16949 CHILISIN ELECTRONICS CORP.

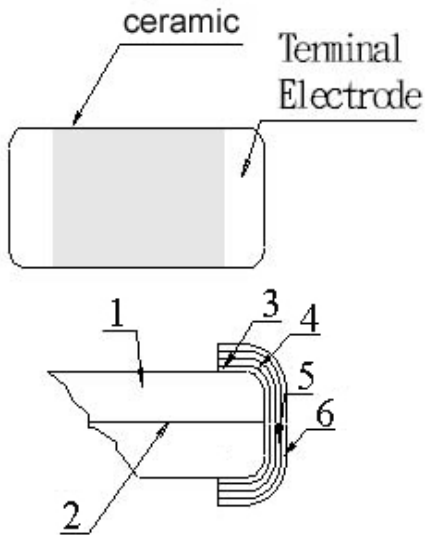
CLH2012T Series Specification

Part No.	Inductance (nH)	L,Q Test Freq.	Q Min.	SRF (MHz)Typ.	RDC (Ω)Max.	IDC (mA)Max.	Tolerance
CLH2012T-R12□-S	120	50 MHz,200 mV	13	650	1.2	300	J,K
CLH2012T-R15□-S	150	50 MHz,200 mV	13	550	1.4	300	J,K
CLH2012T-R18□-S	180	50 MHz,200 mV	13	500	1.8	300	J,K
CLH2012T-R22□-S	220	50 MHz,200 mV	12	450	2	300	J,K
CLH2012T-R27□-S	270	50 MHz,200 mV	12	400	2.5	200	J,K
CLH2012T-R33□-S	330	50 MHz,200 mV	12	380	3	200	J,K
CLH2012T-R39□-S	390	50 MHz,200 mV	10	330	3.5	200	J,K
CLH2012T-R47□-S	470	50 MHz,200 mV	10	300	4	200	J,K

CLH2012T Series Specification

8 CLH2012T Series

8.1 Construction:



8.2 Material List:

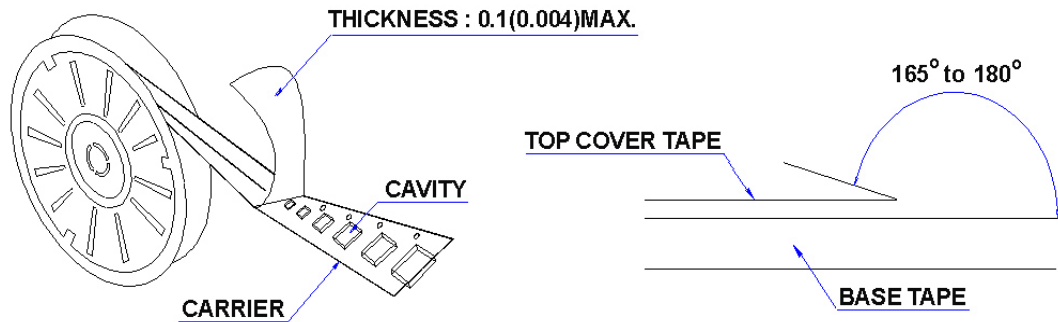
No	Part	Material
1	Main Substance	Al ₂ O ₃ -B ₂ O ₃ -SiO ₂
2	Silver electrode	Ag
3	Silver electrode	Ag
4	Cu plating	Cu
5	Ni plating	Ni
6	Sn plating	Sn

CLH2012T Series Specification

9 Packaging:

9.1 Packaging -Cover Tape

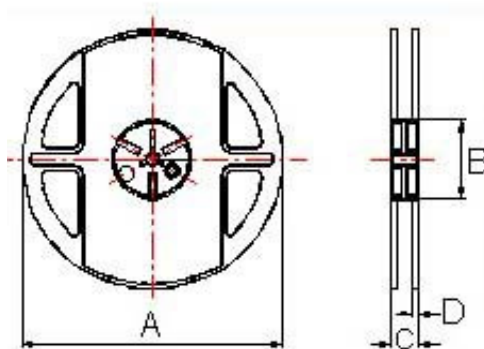
The force for tearing off cover tape is 10 to 100 grams in the arrow direction.



9.2 Packaging Quantity

TYPE	PCS/REEL
CLH1005	10000
CLH1608	4000
CLH2012(09)	4000
CLH2012(12)	3000

9.3 Reel Dimensions



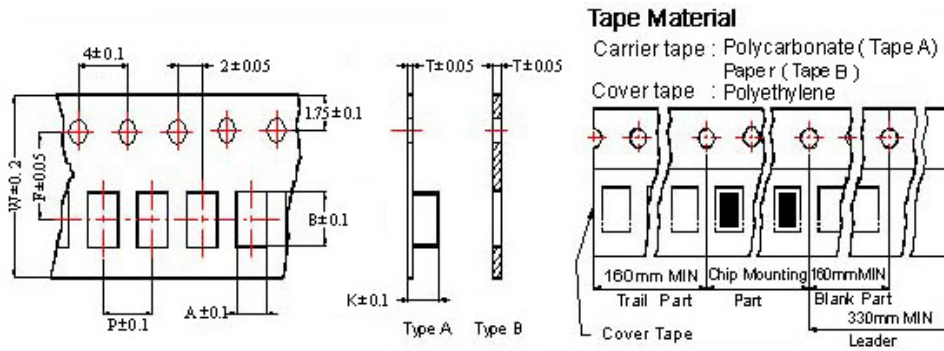
Dimensions in mm

TYPE	A	B	C	D
CLH1005	178	60	12	1.5
CLH1608	178	60	12	1.5
CLH2012(09)	178	60	12	1.5
CLH2012(12)	178	60	12	1.5

CLH2012T Series Specification

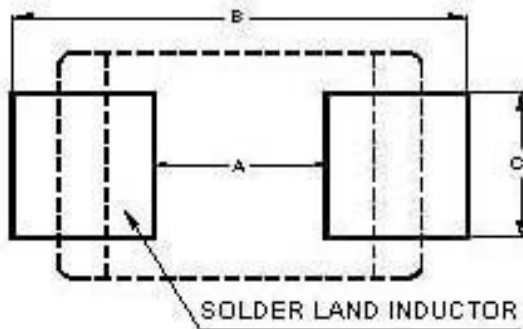
9 Packaging:

9.4 Tape Dimensions in mm



TYPE	A	B	T	W	P	F	K	Tape Typ.
CLH1005	0.62	1.12	0.60	8	2	3.5		B
CLH1608	1.00	1.80	0.95	8	4	3.5		B
CLH2012(09)	1.58	2.42	0.95	8	4	3.5		B
CLH2012(12)	1.35	2.25	0.22	8	4	3.5	1.35	A

10 Recommended Land Pattern:



Dimensions in mm

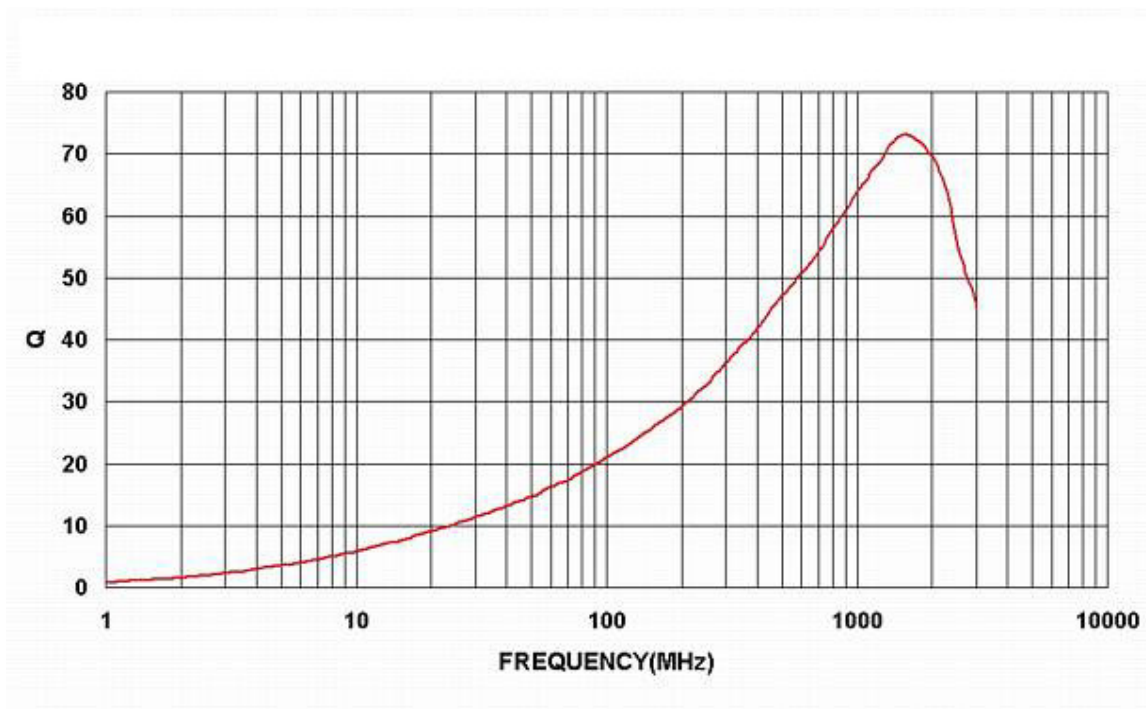
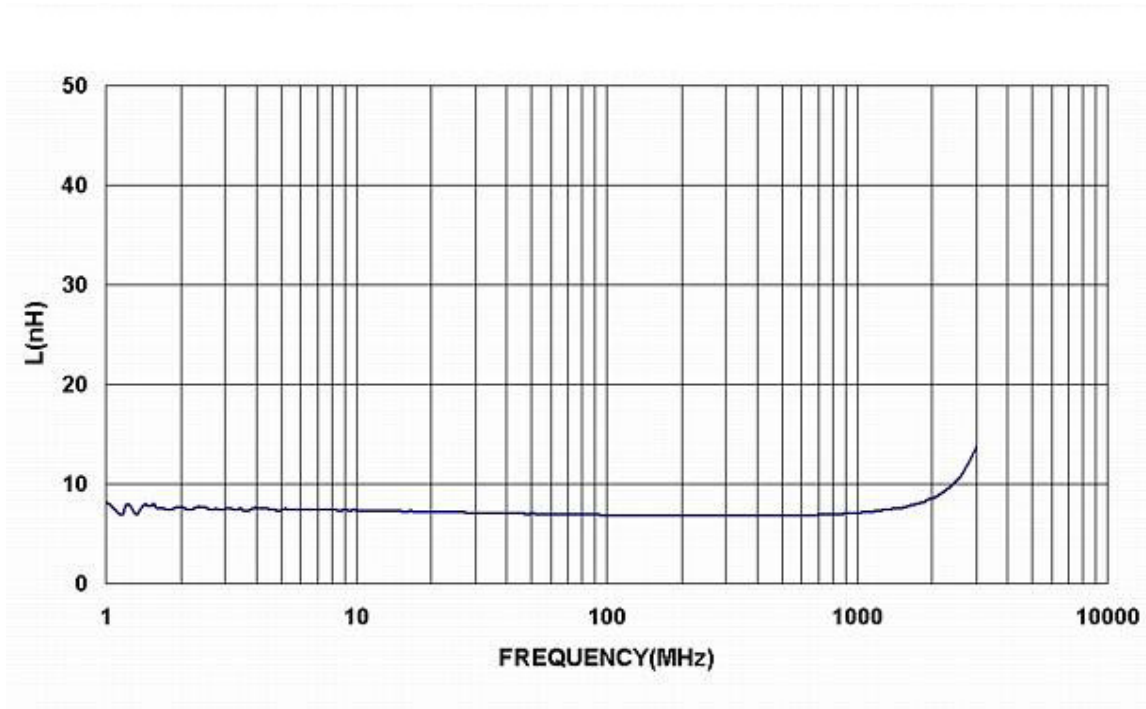
TYPE	A	B	C
CLH1005	0.4	1.2 ~ 1.4	0.5
CLH1608	0.7 ~ 0.8	1.8 ~ 2.0	0.6 ~ 0.8
CLH2012(09)	1.0 ~ 1.2	2.6 ~ 4.0	1.0 ~ 1.2
CLH2012(12)	1.0 ~ 1.2	2.6 ~ 4.0	1.0 ~ 1.2

11 Note:

1. Please make sure that your product has been evaluated and confirmed against your specifications when our product is mounted to your product.
2. Do not knock nor drop.
3. All the items and parameters in this product specification have been prescribed on the premise that our product is used for the purpose, under the condition and in the environment agreed upon between you and us. You are requested not to use our product deviating from such agreement.
4. Please keep the distance between transformer/coil and other components (refer to the standard IEC 950)
5. The moisture sensitivity level (MSL) of products is classified as level 1.

CLH2012T Series Specification

12 Graph: CLH2012T-6N8J-S



单击下面可查看定价，库存，交付和生命周期等信息

[>>CHILISIN\(奇力新\)](#)