



ISO9001 & ISO14001 & TS16949 **CHILISIN ELECTRONICS CORP.**

RoHS & Halogen Free & REACH Compliance.

SPECIFICATION FOR APPROVAL

Customer : _____

Customer P/N: _____

Drawing No : _____

Quantity : 0 **Pcs.** **Date :** _____

Chilisin P/N : CPY160808T-SERIES-NP

SPECIFICATION ACCEPTED BY:	
COMPONENT ENGINEER	
ELECTRICAL ENGINEER	
MECHANICAL ENGINEER	
APPROVED	
REJECTED	

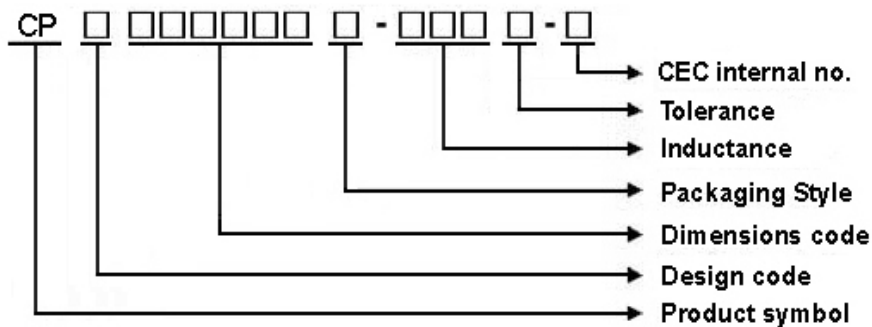
<p>奇力新電子股份有限公司 Chilisin Electronic sCorp No. 29, Alley 301, Tehhsin Rd., Hukou,Hsinchu 303, Taiwan TEL : +886-3- 599-2646 FAX : +886-3- 599-9176 E-mail : sales@chilisin.com.tw http : //www.chilisin.com.tw</p>	<p>東莞奇力新電子有限公司 Chilisin Electronics (Dongguan) Co., Ltd. No. 78, Puxing Rd., Yuliangwei Administration Area, Qingxi Town, Dongguan City, Guangdong,China TEL : +86-769-8773-0251~3 FAX : +86-769-8773-0232 E-mail : cect@chilisin.com.tw</p>
<p>奇力新電子(河南)有限公司 Chilisin Electronics (Henan) Co., Ltd. XiuWu Xian, industry gathering area JiaoZuo, Henan China Postal Code:454350 TEL:+86-391-717-0682 FAX:+86-391-717-0666</p>	<p>奇力新電子(蘇州)有限公司 Chilisin Electronics (Suzhou) Co., Ltd. No.143,Song Shan Rd., Suzhou New District, Suzhou,China Postal Code:215129 TEL:+86-512-6841-2350 FAX:+86-512-6841-2356</p>

<p>Drawn by 張瑞滿 rammi</p>	<p>Checked by 邱明傑 Joseph.Chiu</p>	<p>Approved by JACKY鍾 jacky.chung</p>
--------------------------------------	--	--

CPY160808T Series Specification

1 Scope: This specification applies to Multilayer Ferrite chip inductors

2 Part Numbering:



3 Rating:

Operating Temperature: $-40^{\circ}\text{C} \sim 105^{\circ}\text{C}$ (Including self - temperature rise)

Storage Temperature: $-40^{\circ}\text{C} \sim 85^{\circ}\text{C}$ (after PCB)

$-5^{\circ}\text{C} \sim 40^{\circ}\text{C}$, Humidity 40%~70% (before PCB)

4 Marking:

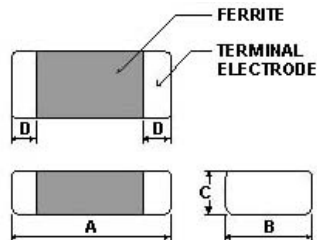
No Marking

5 Standard Testing Condition

	Unless otherwise specified	In case of doubt
Temperature	Ordinary Temperature(15 to 35°C)	$20 \pm 2^{\circ}\text{C}$
Humidity	Ordinary Humidity(25 to 85% RH)	60 to 70 % RH

CPY160808T Series Specification

6 Configuration and Dimensions:



Dimensions in mm

TYPE	CP160808
A	1.6±0.2
B	0.8±0.2
C	0.8±0.2
D	0.3±0.2

7 Electrical Characteristics:

Part No.	Inductance (uH)	Test Freq.	RDC (Ω)Max.	Rated Current (mA)Max.	Tolerance (±%)
CPY160808T-1R0□-NP	1	1 MHz, 200 mV	0.12	1500	20,30
CPY160808T-2R2□-NP	2.2	1 MHz, 200 mV	0.2	1000	20,30
CPY160808T-4R7□-NP	4.7	1 MHz, 200 mV	0.25	800	20,30
CPY160808T-100□-NP	10	1 MHz, 200 mV	0.9	90	20,30

NOTE: □-tolerance M=±20% / T=±30%

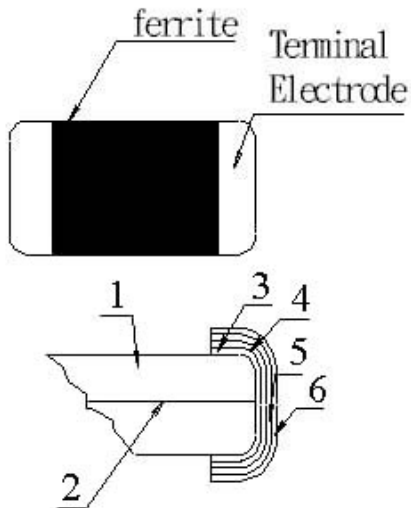
1. Operating temperature range - 40 °C ~ 105 °C (Including self - temperature rise)
2. Rate Current : Applied the current to coils, the temperature rise shall not be more than 30°C

"-N" FOR COMPLETELY LEAD FREE TYPE (INCLUDING FERRITE BODY & SOLDER)

CPY160808T Series Specification

8 CPY160808T Series

8.1 Construction:



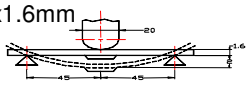
8.2 Material List:

NO	PART	MATERIAL
1	Ferrite Substance	NiO-CuO-ZnO-Ferrite
2	Silver electrode	Ag
3	Silver electrode	Ag
4	Cu plating	Cu
5	Ni plating	Ni
6	Sn plating	Sn

CPY160808T Series Specification

9 Reliability Of Ferrite Multilayer Chip Inductor

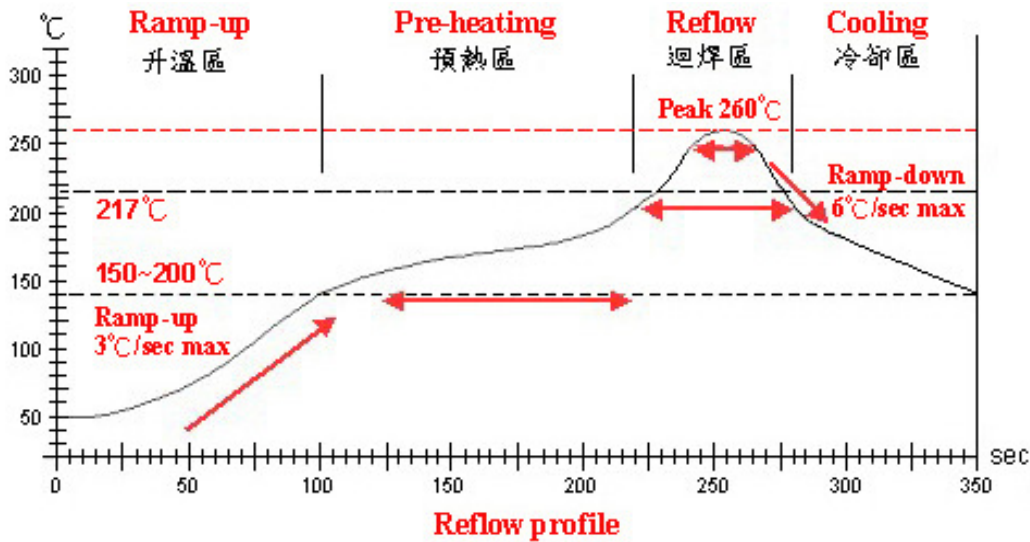
1-1.Mechanical Performance

No	Item	Specification	Test Method
1-1-1	Flexure Strength	The forces applied on the right conditions must not damage the terminal electrode and the ferrite	Test device shall be soldered on the substrate Substrate Dimension: 100x40x1.6mm Deflection: 2.0mm Keeping Time: 30sec *For 100505, substrate dimension is 100x40x0.8mm 
1-1-2	Vibration		
1-1-3	Resistance to Soldering Heat	Appearance: No damage More than 75% of the terminal electrode should be covered with solder. Inductance: within $\pm 20\%$ of initial value	Pre-heating: 150°C, 1min Solder Composition: Sn/Ag3.0/Cu0.5(Pb-Free) Solder Temperature: 260 \pm 5°C Immersion Time: 10 \pm 1sec
1-1-4	Solder ability	The electrodes shall be at least 95% covered with new solder coating	Pre-heating: 150°C, 1min Solder Composition: Sn/Ag3.0/Cu0.5(Pb-Free) Solder Temperature: 245 \pm 5°C (Pb-Free) Immersion Time: 4 \pm 1sec

1-2.Environmental Performance

No	Item	Specification	Test Method		
1-2-1	Temperature Cycle	Appearance: No damage Inductance: within $\pm 20\%$ of initial value	One cycle:		
			Step	Temperature (°C)	Time (min)
			1	-40 \pm 3	30
			2	25 \pm 2	3
			3	105 \pm 3	30
4	25 \pm 2	3			
			Total: 100cycles		
			Measured after exposure in the room condition for 24hrs		
1-2-2	Humidity Resistance		Temperature: 40 \pm 2°C Relative Humidity: 90 ~ 95% / Time: 1000hrs Measured after exposure in the room condition for 24hrs		
1-2-3	High Temperature Resistance		Temperature: 85 \pm 3°C Relative Humidity: 20% Applied Current: Rated Current / Time: 1000hrs Measured after exposure in the room condition for 24hrs		
1-2-4	Low Temperature Resistance		Temperature: -40 \pm 3°C Relative Humidity: 0% / Time: 1000hrs Measured after exposure in the room condition for 24hrs		

CPY160808T Series Specification



Lead-Free(LF) 標準溫度分析範圍

Refer to J-STD-020C

管制項目 Item.	升温區 Ramp-up	预热區 Pre-heating	迴焊區 Reflow	Peak Temp	冷却區 Cooling
溫度範圍 Temp.scope	R.T. ~ 150°C	150°C ~ 200°C	217°C	260±5°C	Peak Temp. ~ 150°C
標準時間 Time spec.	—	60 ~ 180 sec	60 ~ 150sec	20 ~ 40 sec	—
實際時間 Time result	—	75 ~ 100 sec	90 ~ 120sec	20 ~ 35 sec	—

NOTE :

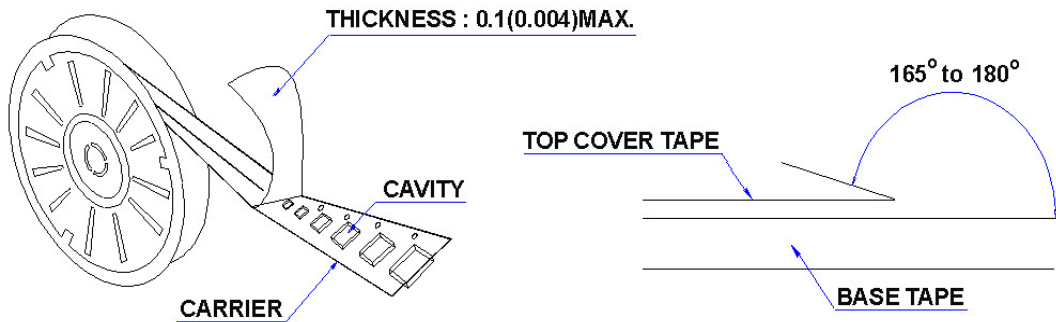
1. Re-flow possible times : within 2 times
2. Nitrogen adopted is recommended while in re-flow

CPY160808T Series Specification

11 Packaging:

11.1 Packaging -Cover Tape

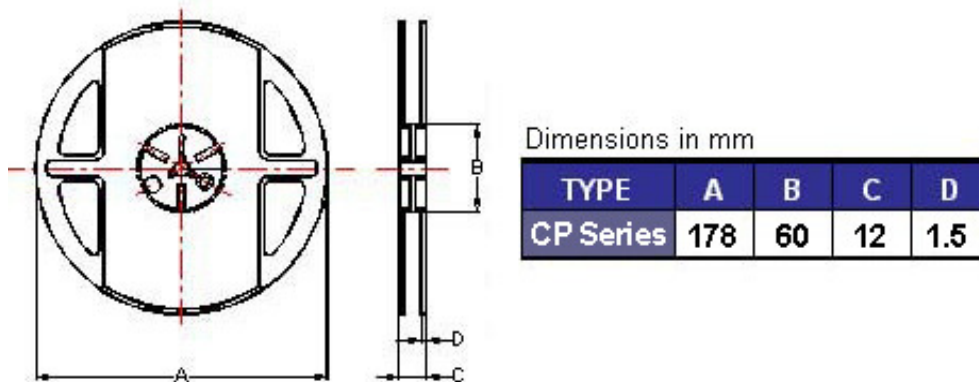
The force for tearing off cover tape is 10 to 100 grams in the arrow direction.



11.2 Packaging Quantity

TYPE	BULK	PCS/REEL
CP160808	✓	4000
CP201209	✓	4000
CP201212	✓	3000
CP321611	✓	3000

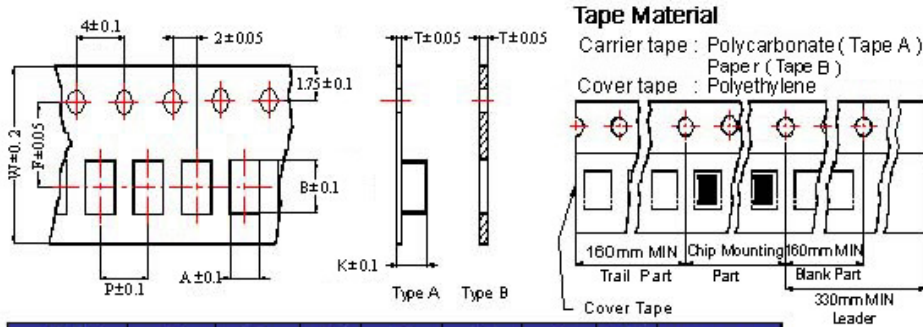
11.3 Reel Dimensions



CPY160808T Series Specification

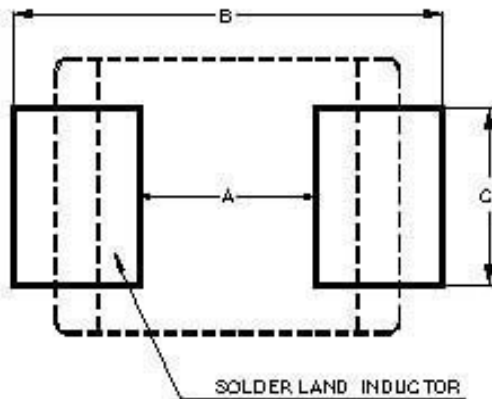
11 Packaging:

11.4 Tape Dimensions in mm



TYPE	A	B	T	W	P	F	K	Tape Typ.
CP160808	1.05	1.85	0.95	8	4	3.5		B
CP201209	1.50	2.30	0.97	8	4	3.5		B
CP201212	1.35	2.25	0.22	8	4	3.5	1.35	A
CP321611	1.88	3.50	0.22	8	4	3.5	1.27	A

12 Recommended Land Pattern:



Dimensions in mm

TYPE	A	B	C
CP160808	0.7 ~ 0.8	1.8 ~ 2.0	0.6 ~ 0.8
CP201209	1.0 ~ 1.2	2.6 ~ 4.0	1.0 ~ 1.2
CP201212	1.0 ~ 1.2	2.6 ~ 4.0	1.0 ~ 1.2
CP321611	2.0	4.2 ~ 5.2	1.2

13 Note:

1. Please make sure that your product has been evaluated and confirmed against your specifications when our product is mounted to your product.
2. Do not knock nor drop.
3. All the items and parameters in this product specification have been prescribed on the premise that our product is used for the purpose, under the condition and in the environment agreed upon between you and us. You are requested not to use our product deviating from such agreement.
4. Please keep the distance between transformer/coil and other components (refer to the standard IEC 950)

单击下面可查看定价，库存，交付和生命周期等信息

[>>CHILISIN\(奇力新\)](#)