

BP3Y Series



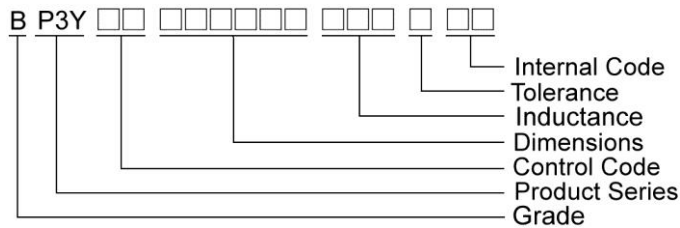
Features

- Operating Temperature up to 125°C
- Halogen Free
- Shielded construction
- AEC-Q200 qualified
- High saturation current

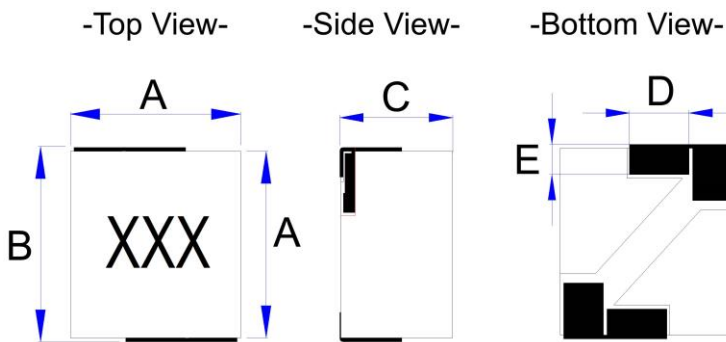
Applications

- DC/DC converters for entertainment/navigation systems
- LED Headlight & DRL
- Automobile Instrument Cluster
- Class-D Audio Amp.

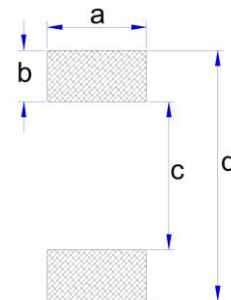
Product Identification



Shapes and Dimensions



Recommended Pattern

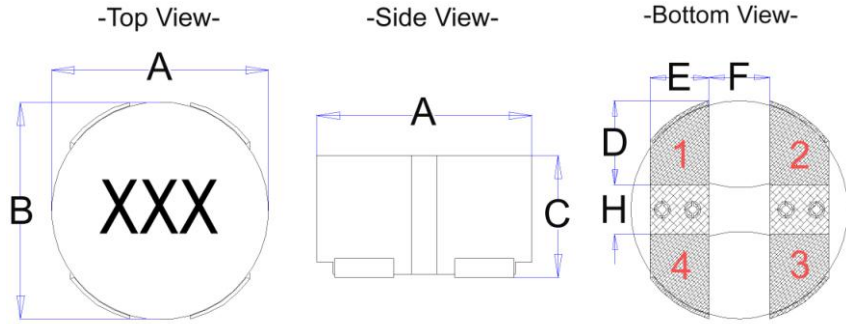


Dimensions in mm

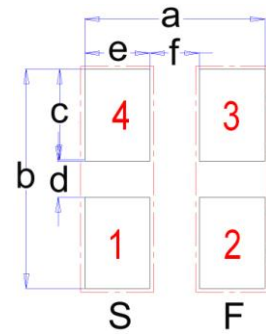
TYPE	A	B	C	D	E	a	b	c	d
BP3Y00151510	15Max	15.7Max	10.5Max	5.1±0.5	2.3±0.5	6.6	3.3	9.5	16.1
BP3Y00151511	15Max	15.7Max	115Max	5.1±0.5	2.3±0.5	6.6	3.3	9.5	16.1
BP3Y00151513	15Max	15.7Max	135Max	5.1±0.5	2.3±0.5	6.6	3.3	9.5	16.1

SMD Shielded Power Inductor – BP3Y Series

Shapes and Dimensions



Recommended Pattern



Dimensions in mm

TYPE	A	B	C	D	E	F	H	a	b	c	d	e	f
BP3Y00282816	29.5Max	29.5Max	16Max	11.3±0.5	7.7±0.5	8.0	5.63	24.6	29.95	12.51	4.93	8.9	6.8

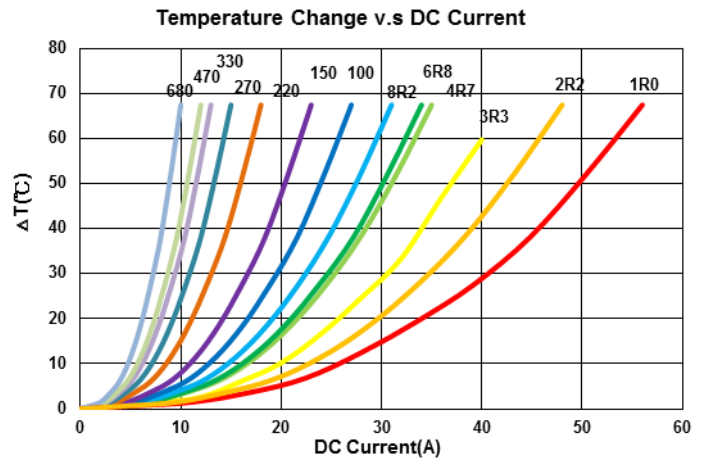
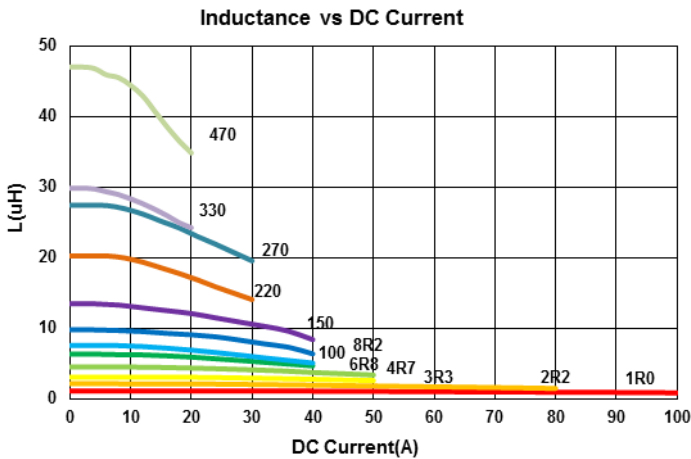
SMD Shielded Power Inductor – BP3Y Series

Electrical Characteristics

Part Number	Inductance (μH)	Tolerance (±%)	Test Frequency (kHz)	RDC (mΩ)Max	Isat (A)Typ	Irms (A)Typ	Marking
BP3Y001515101R0M00	1.0	20	100/1V	1.8	100	44	1R0
BP3Y001515101R5M00	1.5	20	100/1V	2.1	95	38	1R5
BP3Y001515102R2M00	2.2	20	100/1V	2.7	70	36	2R2
BP3Y001515103R3M00	3.3	20	100/1V	3.5	50	32	3R3
BP3Y001515104R7M00	4.7	20	100/1V	5.2	45	28	4R7
BP3Y001515106R8M00	6.8	20	100/1V	6.0	38	26	6R8
BP3Y001515108R2M00	8.2	20	100/1V	7.2	34	24	8R2
BP3Y00151510100M00	10	20	100/1V	8.5	32	21	100
BP3Y00151510150M00	15	20	100/1V	11.5	30	18	150
BP3Y00151510220M00	22	20	100/1V	16.8	24	14	220
BP3Y00151511270M00	27	20	100/1V	26.5	23	11	270
BP3Y00151511330M00	33	20	100/1V	28	19	10	330
BP3Y00151513470M00	47	20	100/1V	38	17	9	470
BP3Y00151513680M00	68	20	100/1V	61	16	7	680

Note: When ordering, please specify tolerance code. Tolerance: M=±20%

- Operating temperature range - 55°C ~ 125°C(Including self - temperature rise)
- Isat for Inductance drop 30% from its value with current
- I rms for a 40°C temperature rise from 25°C ambient with current



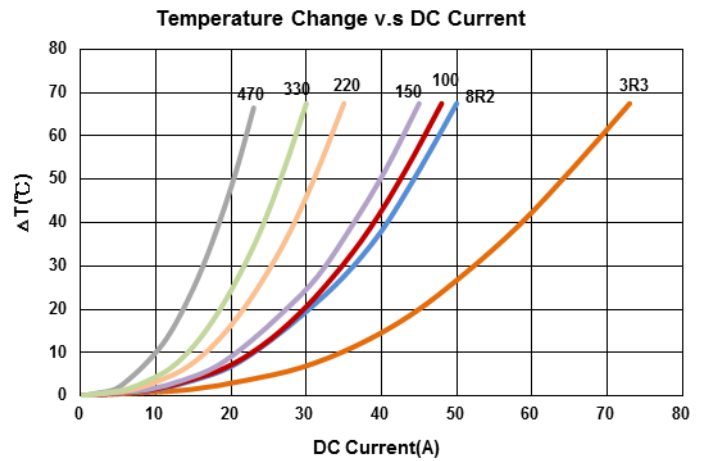
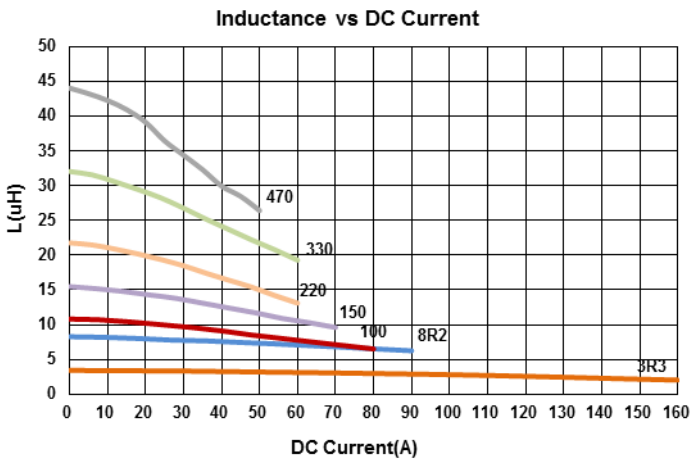
SMD Shielded Power Inductor – BP3Y Series

Electrical Characteristics

Part Number	Inductance (μH)	Tolerance (±%)	Test Frequency (kHz)	RDC (mΩ)Max	Isat (A)Typ	Irms (A)Typ	Marking
BP3Y002828163R3M00	3.3	20	100/1V	1.5	125	58	3R3
BP3Y002828168R2M00	8.2	20	100/1V	4.0	85	40	8R2
BP3Y00282816100M00	10	20	100/1V	5.5	62	37	100
BP3Y00282816150M00	15	20	100/1V	7.5	55	32	150
BP3Y00282816220M00	22	20	100/1V	11.5	46	25	220
BP3Y00282816330M00	33	20	100/1V	16	44	20	330
BP3Y00282816470M00	47	20	100/1V	24	35	18	470

Note: When ordering, please specify tolerance code. Tolerance: M=±20%

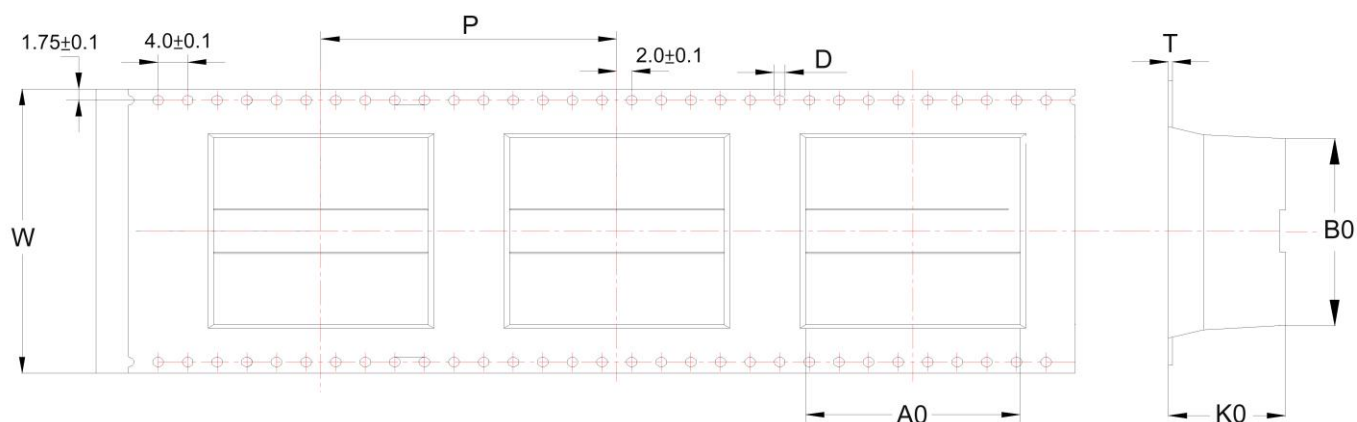
- Operating temperature range - 55°C ~ 125°C(Including self - temperature rise)
- Isat for Inductance drop 30% from its value with current
- Irms for a 40°C temperature rise from 25°C ambient with current



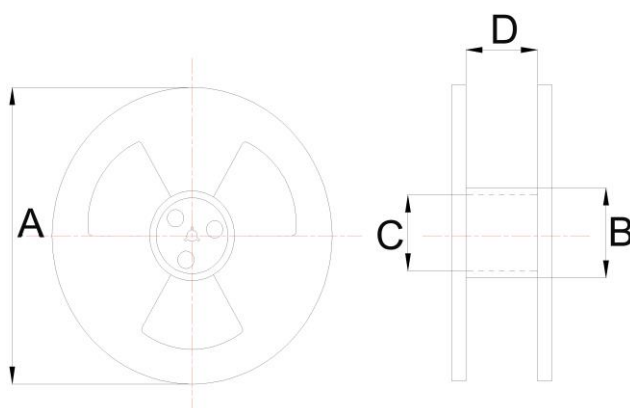
SMD Shielded Power Inductor – BP3Y Series

Packaging

Tape Dimensions



Reel Dimensions



Dimensions in mm

TYPE	Tape Dimensions							Reel Dimensions				Quantity
	A0	B0	K0	D	W	T	P	A	B	C	D	PCS / REEL
BP3Y00151510	15.7	15.1	10.7	1.5	24	0.5	24	330	100	13.5	24.5	150
BP3Y00151511	15.7	15.1	11.7	1.5	24	0.5	24	330	100	13.5	24.5	100
BP3Y00151513	15.7	15.1	13.7	1.5	24	0.5	24	330	100	13.5	24.5	100
BP3Y00282816	29.2	29.2	15	1.5	44	0.5	40	330	100	13.5	44.5	30

单击下面可查看定价，库存，交付和生命周期等信息

[>>CHILISIN\(奇力新\)](#)