



ISO9001 ISO14001 IATF16949 CHILISIN ELECTRONICS CORP.

RoHS & Halogen Free & REACH Compliance.

SPECIFICATION FOR APPROVAL

CUSTOMER : 超利維

CUSTOMER P/N :

OUR DWG No : IE1-8B0365

QUANTITY : X Pcs. DATE : 2018/11/21

ITEM : HPPC08050B-R22M-Q8DF

SPECIFICATION ACCEPTED BY:

COMPONENT ENGINEER	
ELECTRICAL ENGINEER	
MECHANICAL ENGINEER	
APPROVED	
REJECTED	

奇力新電子股份有限公司
Chilisin Electronics Corp
No. 29, Alley 301, Tehhsin Rd., Hukou, Hsinchu
303, Taiwan
TEL : +886-3- 599-2646
FAX : +886-3- 599-9176
E-mail : sales@chilisin.com
http : //www.chilisin.com

東莞奇力新電子(東莞廠)有限公司
Chilisin Electronics (Dongguan) Co., Ltd.
No. 78, Puxing Rd., Yuliangwei Administration Area,
Qingxi Town, Dongguan City, Guangdong, China
TEL : +86-769-8773-0251~3
FAX : +86-769-8773-0232
E-mail : cect@chilisin.com

奇力新電子(越南廠)有限公司
Chilisin Electronics (Vietnam) Limited
No 143 - 145, Road No 10, VSIP Hai Phong,
Lap Le Commune, Thuy Nguyen Dist,
Haiphong City, Vietnam
Tel : 84-316 255 688 Fax : 84-316 255 689
E-mail : sales@chilisin.com

奇力新電子(湖南廠)有限公司
HuNan Chilisin Electronics Technology Co., Ltd
No. 8, Shaziao Liangshuijing Town, Yuanling
County, Huaihua City, Hunan Province 419601,
China
Tel : 86-745-867-5882
E-mail : cect@chilisin.com

DRAWN BY
吳韋邑 wayne.wu

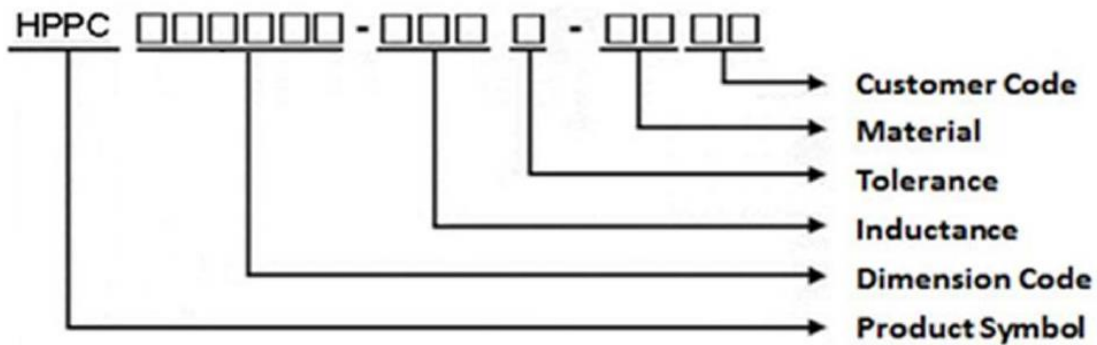
CHECKED BY
吳韋邑 Wayne.Wu

APPROVED BY
劉建志 Richard.Liu

HPPC08050B Series Specification

1 Scope: This specification applies to Large current and Low Loss SMD Power INDUCTOR

2 Part Numbering:

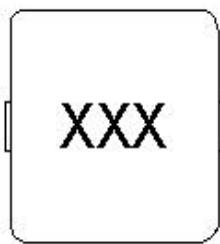


3 Rating:

Operating Temperature: - 55°C ~ 150°C

Storage Temperature: (on tape & reel): -20 °C to +40 °C; 75% RH max.

4 Marking:



Ex : HPPC08050B-R22M-Q8DF

Marking :R22

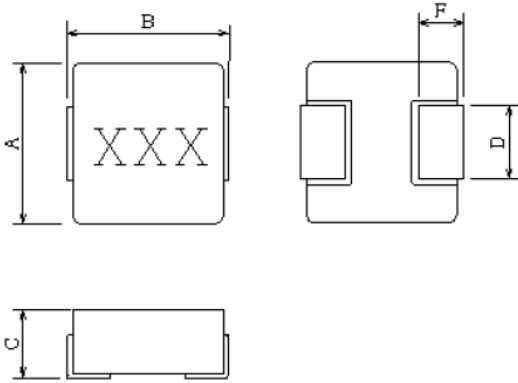
Marking color : Black

5 Standard Testing Condition

	Unless otherwise specified	In case of doubt
Temperature	Ordinary Temperature(15 to 35°C)	20 to 30°C
Humidity	Ordinary Humidity(25 to 85% RH)	50 to 80 %RH

HPPC08050B Series Specification

6 Configuration and Dimensions:



Dimensions in mm

TYPE	HPPC08050B
A	8.1±0.2
B	8.7±0.3
C	5.0Max
D	3.0±0.5
F	1.6±0.5

7 ELECTRICAL CHARACTERISTICS :

Part No.	Inductance (uH)	Tolerance (±%)	Test Freq.	I _{rms} (A) Max(Typ)	I _{sat} (A) Max(Typ)	RDC(mΩ) Max(Typ)	Marking
HPPC08050B-R22M-Q8DF	0.22	20	100kHz,0.5V	32(37)	35(40)	0.9(0.75)	R22

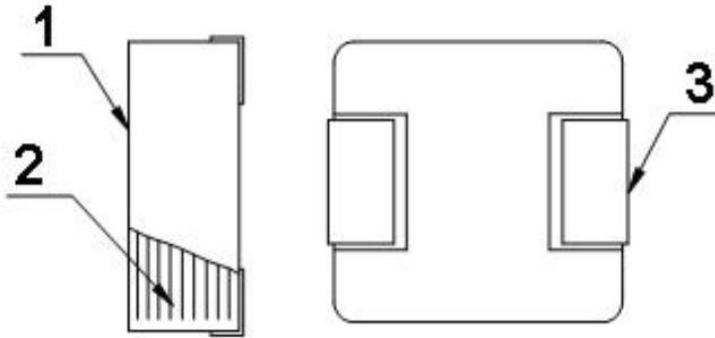
Note:

1. Operating temperature range -55°C~150°C
2. I_{sat} for Inductance drop 30% from its value without current.
3. I_{rms} for a 40°C temperature rise from 25°C ambient.
4. The part temperature (ambient + temp rise) should not exceed 150°C under worst case operating conditions.
Circuit design 150°C under worst case operating conditions. Component placement, PWB trace size and thickness, airflow and other cooling provisions all affect the part temperature. Part temperature should be verified in the end application.
5. Absolute maximum voltage 30VDC

HPPC08050B Series Specification

8 HPPC08050B Series

8.1 Construction:



8.2 Material List:

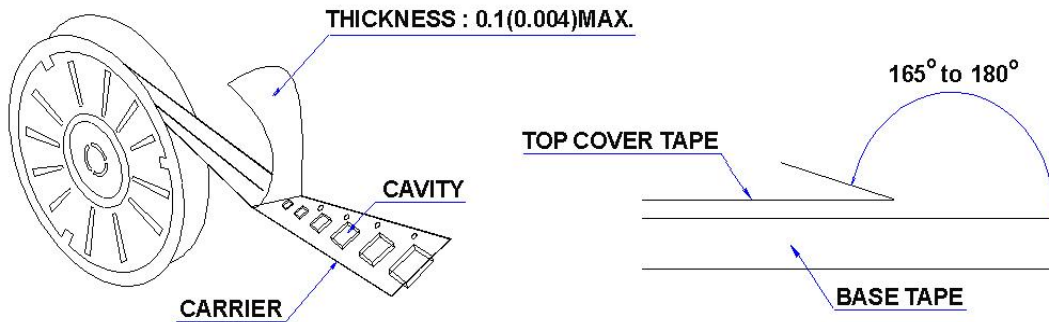
ITEM	PART	DESCRIPTION
1	COATING+ CORE	POLYMER+ CARBONYL IRON POWDERS
2	WMRE	COPPER WMRE
3	TERMINAL	TERMINAL COPPER

HPPC08050B Series Specification

9 PACKAGING

9.1 Packaging -Cover tape

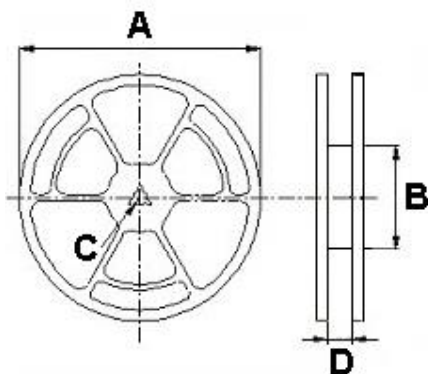
The force for tearing off cover tape is 10 to 100 grams in the arrow direction.



9.2 Packaging Quantity

TYPE	PCS/REEL
HPPC08050B	500

9.3 Reel Dimensions



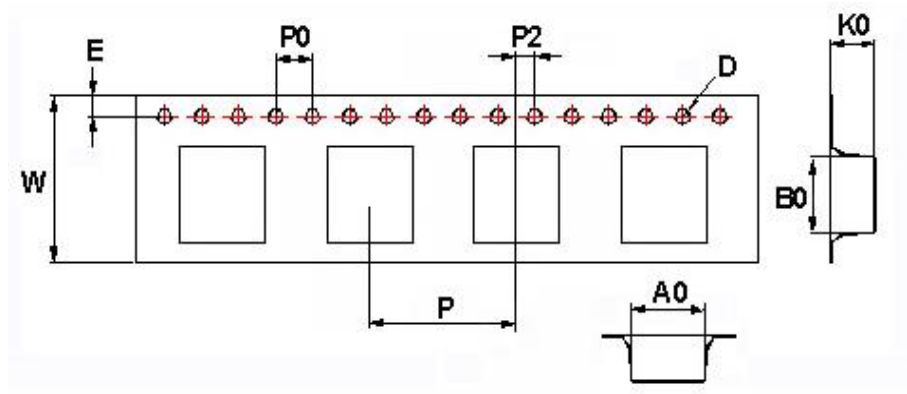
Dimensions in mm

TYPE	A	B	C	D
HPPC08050B	330	100	13	24.4

HPPC08050B Series Specification

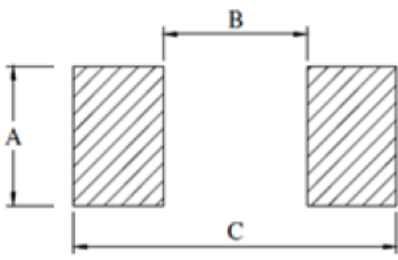
9 PACKAGING

9.4 Tape Dimensions in mm



TYPE	A0	B0	K0	D	E	W	P	P0	P2
HPPC08050B	8.45	9.40	5.25	1.55	1.75	24	16	4	2

10 Recommended Pattern



Dimensions in mm

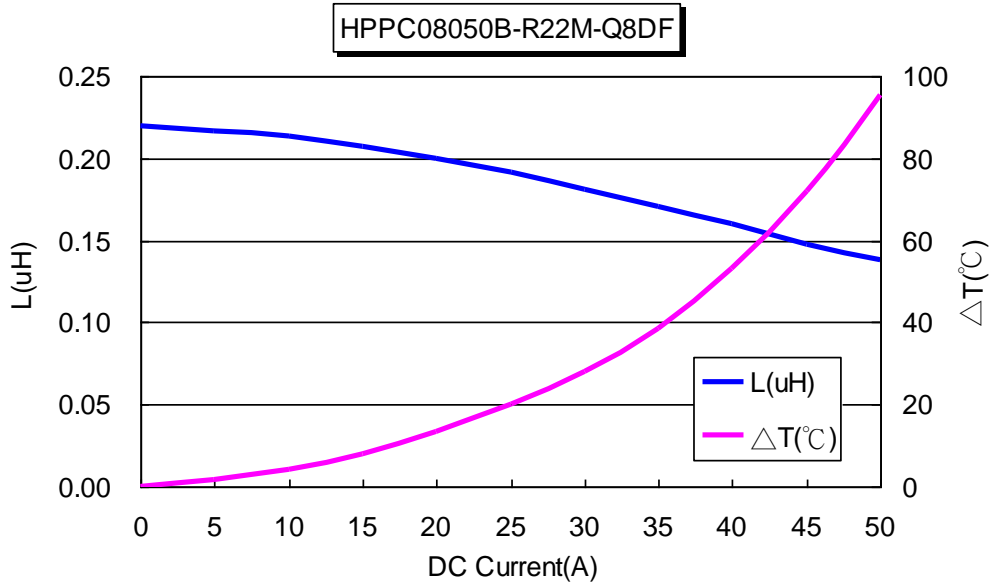
TYPE	A(mm)	B(mm)	C(mm)
HPPC08050B	4.0	4.9	9.2

11 Note:

- Please make sure that your product has been evaluated and confirmed against your specifications when our product is mounted to your product.
- Do not knock nor drop.
- All the items and parameters in this product specification have been prescribed on the premise that our product is used for the purpose, under the condition and in the environment agreed upon between you and us. You are requested not to use our product deviating from such agreement.
- Please keep the distance between transformer/coil and other components (refer to the standard IEC 950)
- The moisture sensitivity level (MSL) of products is classified as level 1.

HPPC10040 Series Specification

12 Graph:



单击下面可查看定价，库存，交付和生命周期等信息

[>>CHILISIN\(奇力新\)](#)