



ISO9001 ISO14001 IATF16949 CHILISIN ELECTRONICS CORP.

RoHS & Halogen Free & REACH Compliance.

### SPECIFICATION FOR APPROVAL

Customer : 超利維

Customer P/N:

Drawing No : IE1-8B0365

Quantity : X Pcs. Date : 2018/11/23

Chilisin P/N : MHCB06020-2R2M-C1

SPECIFICATION ACCEPTED BY:	
COMPONENT ENGINEER	
ELECTRICAL ENGINEER	
MECHANICAL ENGINEER	
APPROVED	
REJECTED	

<p><b>奇力新電子股份有限公司</b>          Chilisin Electronics Corp          No. 29, Alley 301, Tehhsin Rd.,          Hukou, Hsinchu 303, Taiwan          TEL : +886-3- 599-2646          FAX : +886-3- 599-9176          E-mail : sales@chilisin.com          http : //www.chilisin.com</p>	<p><b>東莞奇力新電子(東莞廠)有限公司</b>          Chilisin Electronics (Dongguan) Co., Ltd.          No. 78, Puxing Rd., Yuliangwei Administration Area,          Qingxi Town, Dongguan City, Guangdong, China          TEL : +86-769-8773-0251~3          FAX : +86-769-8773-0232          E-mail : cect@chilisin.com</p>
<p><b>奇力新電子(越南廠)有限公司</b>          Chilisin Electronics (Vietnam) Limited          No 143 - 145, Road No 10, VSIP Hai Phong,          Lap Le Commune, Thuy Nguyen Dist,          Haiphong City, Vietnam          Tel : 84-316 255 688 Fax : 84-316 255 689          E-mail : sales@chilisin.com</p>	<p><b>奇力新電子(湖南廠)有限公司</b>          HuNan Chilisin Electronics Technology Co., Ltd          No. 8, Shaziao Liangshuijing Town, Yuanling          County, Huaihua City, Hunan Province 419601,          China          Tel : 86-745-867-5882          E-mail : cect@chilisin.com</p>

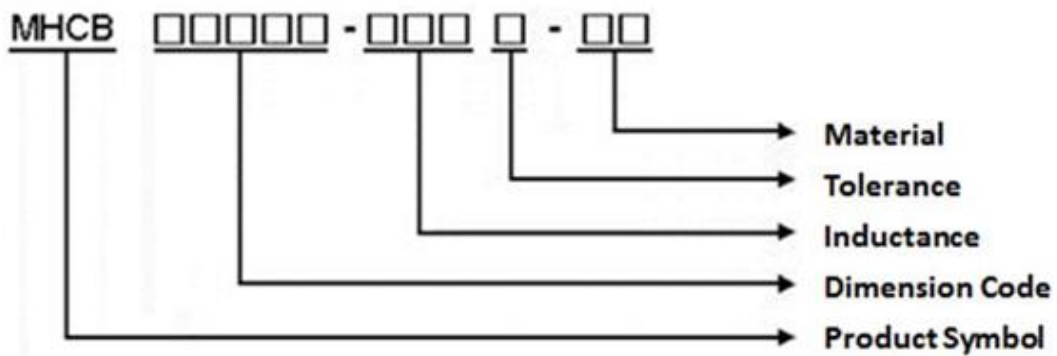
Drawn by <b>吳韋邑 Wayne.Wu</b>	Checked by <b>吳韋邑 Wayne.Wu</b>	Approved by <b>劉建志 Richard.Liu</b>
---------------------------------	-----------------------------------	---------------------------------------

YG16600082

# MHCB06020 Series Specification

**1 Scope:** This specification applies to Large current and Low Loss SMD Power INDUCTOR

**2 Part Numbering:**

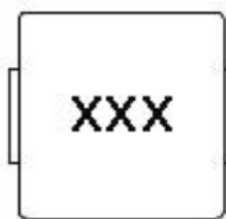


**3 Rating:**

Operating Temperature: - 55°C ~ 125°C(Including self - temperature rise)

Storage Temperature: (on tape & reel): -20°C to +40°C; 75% RH max.

**4 Marking:**



Ex : MHCB06020-2R2M-C1

Marking : 2R2

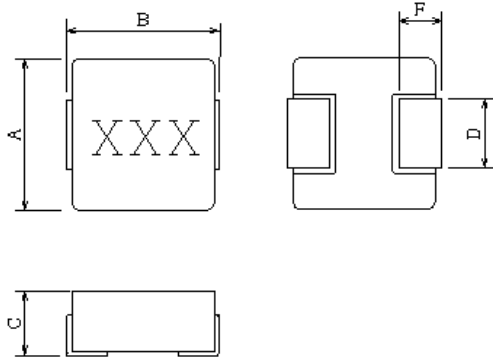
Marking color : Black

**5 Standard Testing Condition**

	Unless otherwise specified	In case of doubt
Temperature	Ordinary Temperature(15 to 35°C)	20 to 30°C
Humidity	Ordinary Humidity(25 to 85% RH)	50 to 80 %RH

## MHCB06020 Series Specification

### 6 Configuration and Dimensions:



Dimensions in mm

TYPE	MHCB06020
A	6.6 ± 0.2
B	6.95 ± 0.35
C	1.8 ± 0.2
D	3.0 ± 0.3
F	1.6 ± 0.5

### 7 Electrical Characteristics:

Part No.	Inductance (uH)	Tolerance (±%)	Test Freq.	I <sub>rms</sub> (A) Typ	I <sub>sat</sub> (A) Typ	RDC(mΩ) Max(Typ)	Marking
MHCB06020-2R2M-C1	2.2	20	100kHz,0.5V	6.5	12	27.5(25)	2R2

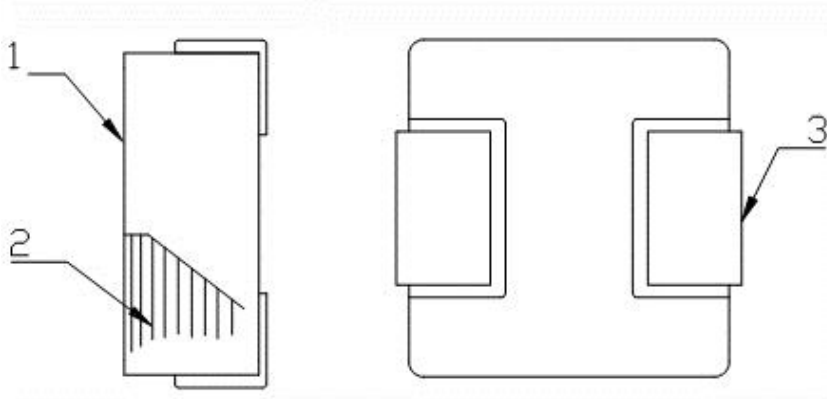
**Note:**

1. Operating temperature range -55°C ~125°C (Including self - temperature rise)
2. I<sub>sat</sub> for Inductance drop 30% from its value without current.
3. I<sub>rms</sub> for a 40°C temperature rise from 25°C ambient.
4. The part temperature (ambient + temp rise) should not exceed 125°C under worst case operating conditions.  
Circuit design 125°C under worst case operating conditions. Component placement, PWB trace size and thickness, airflow and other cooling provisions all affect the part temperature. Part temperature should be verified in the end application.
5. Absolute maximum voltage 30VDC

# MHCB06020 Series Specification

## 8 MHCB06020 Series

### 8.1 Construction:



### 8.2 Material List:

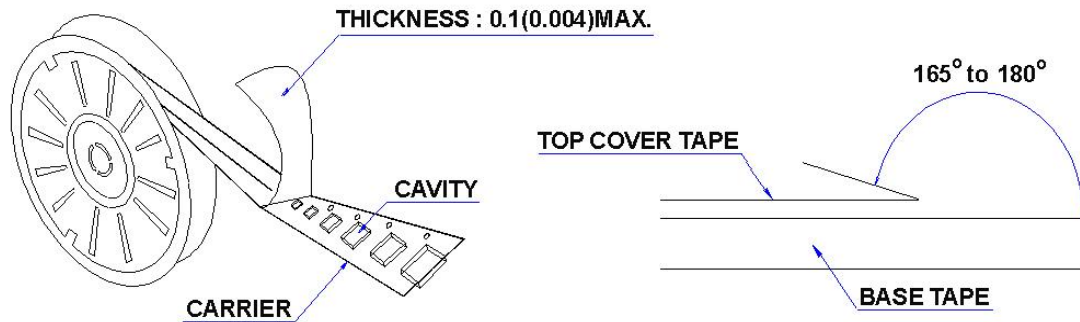
No	Part	Material
1	COATING+ CORE	CARBONYL IRON POWDERS
2	WMRE	COPPER WMRE
3	TERMINAL	TERMINAL COPPER

# MHCB06020 Series Specification

## 9 PACKAGING

### 9.1 Packaging -Cover tape

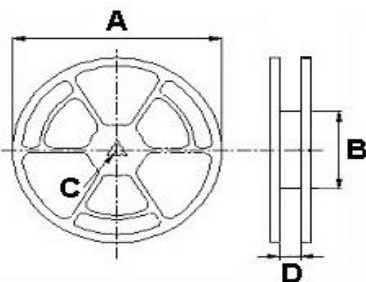
The force for tearing off cover tape is 10 to 130 grams in the arrow direction.



### 9.2 Packaging Quantity

TYPE	PCS/REEL
MHCB06020	1000

### 9.3 Reel Dimensions



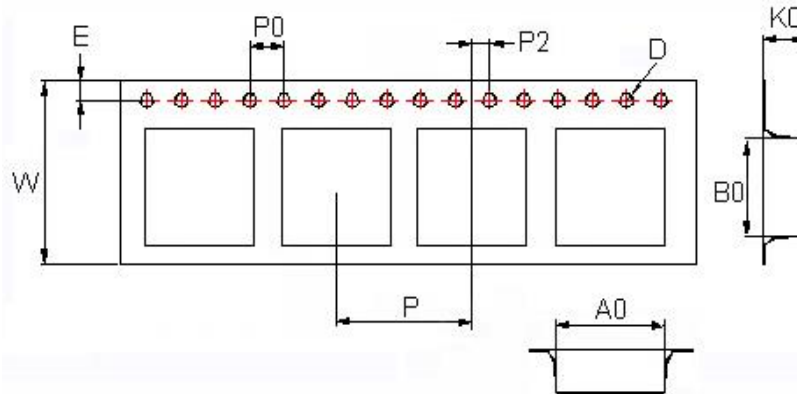
Dimensions in mm

TYPE	A	B	C	D
MHCB06020	330	100	13	16

## MHCB06020 Series Specification

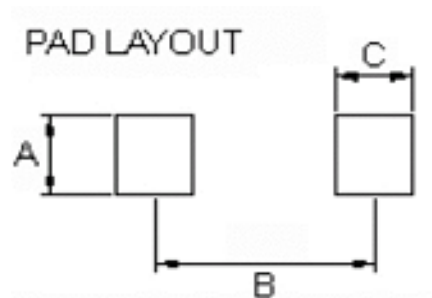
### 9 PACKAGING

#### 9.4 Tape Dimensions in mm



TYPE	A0	B0	K0	D	E	W	P	P0	P2
MHCB06020	6.9	7.6	2.4	1.55	1.75	16	12	4	2

### 10 Recommended Pattern



Dimensions in mm

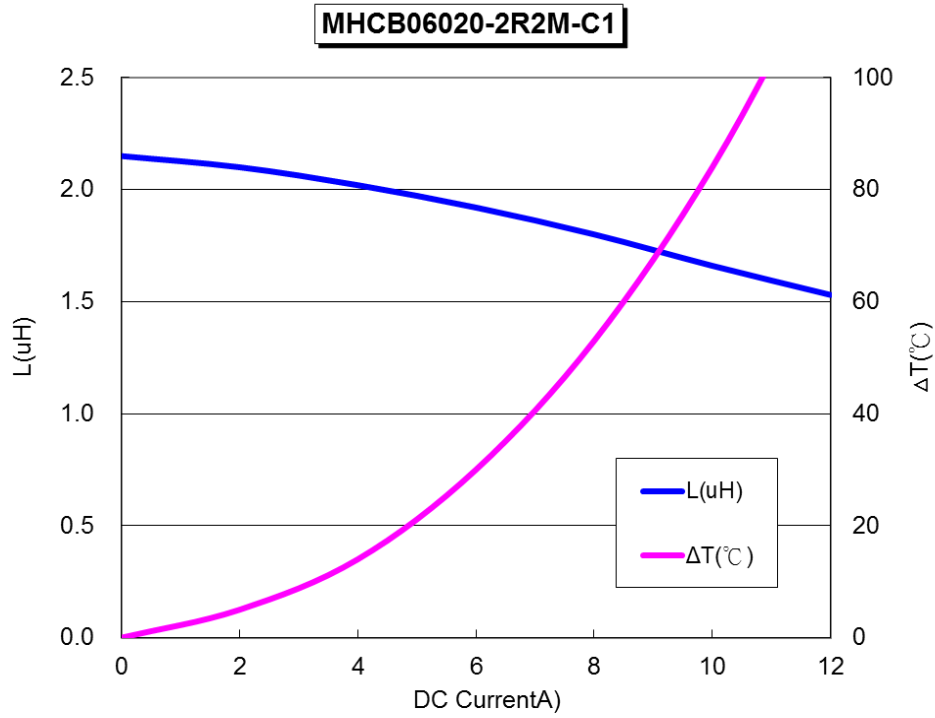
TYPE	A(mm)	B(mm)	C(mm)
MHCB06020	3.5	6.05	2.35

### 11 Note:

1. Please make sure that your product has been evaluated and confirmed against your specifications when our product is mounted to your product.
2. Do not knock nor drop.
3. All the items and parameters in this product specification have been prescribed on the premise that our product is used for the purpose, under the condition and in the environment agreed upon between you and us. You are requested not to use our product deviating from such agreement.
4. Please keep the distance between transformer/coil and other components (refer to the standard IEC 950)
5. The moisture sensitivity level (MSL) of products is classified as level 1.

# MHCB06020 Series Specification

**12** Graph:



单击下面可查看定价，库存，交付和生命周期等信息

[>>CHILISIN\(奇力新\)](#)