



ISO9001 & ISO14001 & TS16949 **CHILISIN ELECTRONICS CORP.**

RoHS & Halogen Free & REACH Compliance.

SPECIFICATION FOR APPROVAL

Customer : 華勤

Customer P/N: _____

Drawing No : _____

Quantity : 0 Pcs. Date : 2017/06/13

Chilisin P/N : MHCH201208A-1R0M-Q8

| SPECIFICATION ACCEPTED BY: | |
|-------------------------------|--|
| COMPONENT ENGINEER | |
| ELECTRICAL ENGINEER | |
| MECHANICAL ENGINEER | |
| APPROVED | |
| REJECTED | |

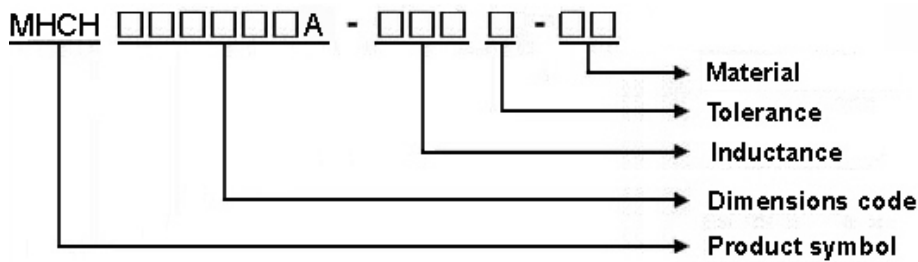
| | |
|--|--|
| <p>奇力新電子股份有限公司 Chilisin Electronics Corp No. 29, Alley 301, Tehhsin Rd., Hukou, Hsinchu 303, Taiwan TEL : +886-3- 599-2646 FAX : +886-3- 599-9176 E-mail : sales@chilisin.com.tw http : //www.chilisin.com.tw</p> | <p>東莞奇力新電子有限公司 Chilisin Electronics (Dongguan) Co., Ltd. No. 78, Puxing Rd., Yuliangwei Administration Area, Qingxi Town, Dongguan City, Guangdong, China TEL : +86-769-8773-0251~3 FAX : +86-769-8773-0232 E-mail : cect@chilisin.com.tw</p> |
| <p>奇力新電子(河南)有限公司 Chilisin Electronics (Henan) Co., Ltd. XiuWu Xian, industry gathering area JiaoZuo, Henan China Postal Code:454350 TEL:+86-391-717-0682 FAX:+86-391-717-0666</p> | <p>蘇州奇益新電子有限公司 SUZHOU QI YIXIN Electronics Co., Ltd. No.143, Song Shan Rd., Suzhou New District, Suzhou, China Postal Code:215129 TEL:+86-512-6841-2350 FAX:+86-512-6841-2356 E-mail : suzhou@chilisin.com.tw</p> |

| | | |
|------------------------------------|--------------------------------------|---------------------------------------|
| Drawn by 張鈺雯 chang.yuwen | Checked by 張鈺雯 chang.yuwen | Approved by 鍾瑞民 jacky.chung |
|------------------------------------|--------------------------------------|---------------------------------------|

MHCH201208A Series Specification

1 Scope: This specification applies to Molding power inductors

2 Part Numbering:



3 Rating:

Operating Temperature: $-40^{\circ}\text{C} \sim 125^{\circ}\text{C}$ (Including self - temperature rise)

Storage Temperature: $-40^{\circ}\text{C} \sim 125^{\circ}\text{C}$ (after PCB)

$-5^{\circ}\text{C} \sim 35^{\circ}\text{C}$, Humidity 45%~85% (before PCB)

4 Marking:

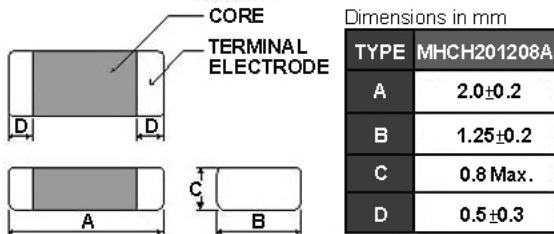


5 Standard Testing Condition

| | Unless otherwise specified | In case of doubt |
|-------------|----------------------------------|------------------|
| Temperature | Ordinary Temperature(15 to 35°C) | 20 to 30°C |
| Humidity | Ordinary Humidity(25 to 85% RH) | 50 to 80 %RH |

MHCH201208A Series Specification

6 Configuration and Dimensions:



7 Electrical Characteristics:

| Part No. | Inductance (uH) | Tolerance (±%) | Test Freq. | I _{rms} (A) Max.(Typ) | I _{sat} (A) Max.(Typ) | RDC(mΩ) Max.(Typ) |
|---------------------|-----------------|----------------|------------|--------------------------------|--------------------------------|-------------------|
| MHCH201208A-1R0M-Q8 | 1.0 | 20 | 2MHz,0.2V | 2.2(2.45) | 2.3(2.6) | 82(72) |

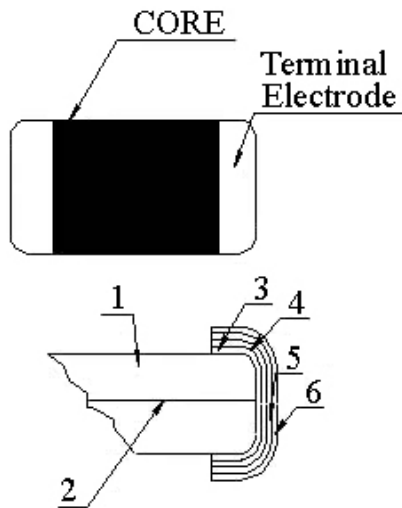
NOTE:

1. Operating temperature range - 40 °C ~ 125 °C (Including self - temperature rise)
2. I_{sat} for Inductance drop 30% from its value without current.
3. I_{rms} for a 40°C temperature rise from 25°C ambient.
4. All test data is referenced to 25°C ambient
5. Absolute maximum voltage 20VDC

MHCH201208A Series Specification

8 MHCH201208A Series

8.1 Construction:



8.2 Material List:

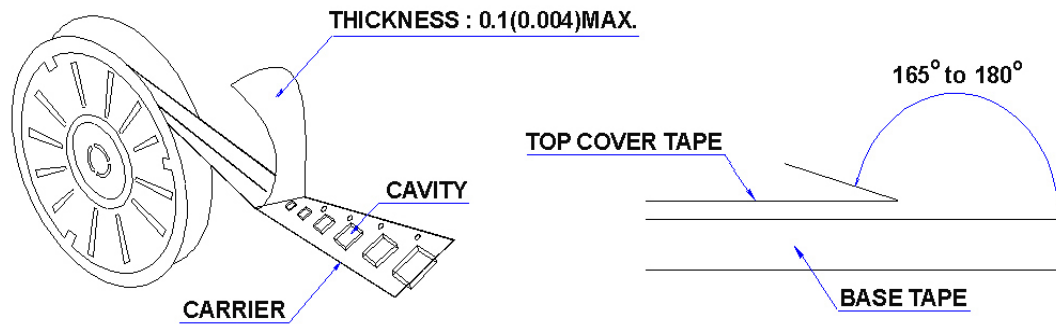
| No | Part | Material |
|----|------------------|--------------|
| 1 | Core | Metal Powder |
| 2 | Wire | Copper wire |
| 3 | Sputter/Plating | Cu |
| 4 | Silver Electrode | Ag |
| 5 | Plating | Ni |
| 6 | Plating | Sn |

MHCH201208A Series Specification

9 Packaging:

9.1 Packaging -Cover Tape

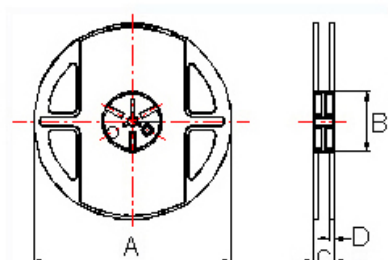
The force for tearing off cover tape is 10 to 100 grams in the arrow direction.



9.2 Packaging Quantity

| TYPE | PCS/REEL |
|-------------|----------|
| MHCH201208A | 3000 |

9.3 Reel Dimensions



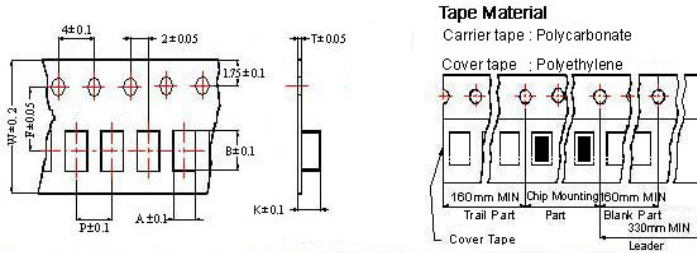
Dimensions in mm

| TYPE | A | B | C | D |
|-------------|-----|----|----|-----|
| MHCH201208A | 178 | 60 | 12 | 1.5 |

MHCH201208A Series Specification

9 Packaging:

9.4 Tape Dimensions in mm



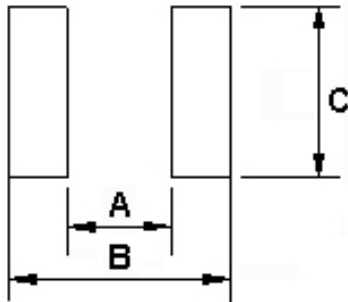
Tape Material

Carrier tape : Polycarbonate

Cover tape : Polyethylene

| TYPE | A | B | T | W | P | F | K |
|-------------|------|------|------|---|---|-----|------|
| MHCH201208A | 1.45 | 2.25 | 0.22 | 8 | 4 | 3.5 | 1.04 |

10 Recommended Land Pattern:



Dimensions in mm

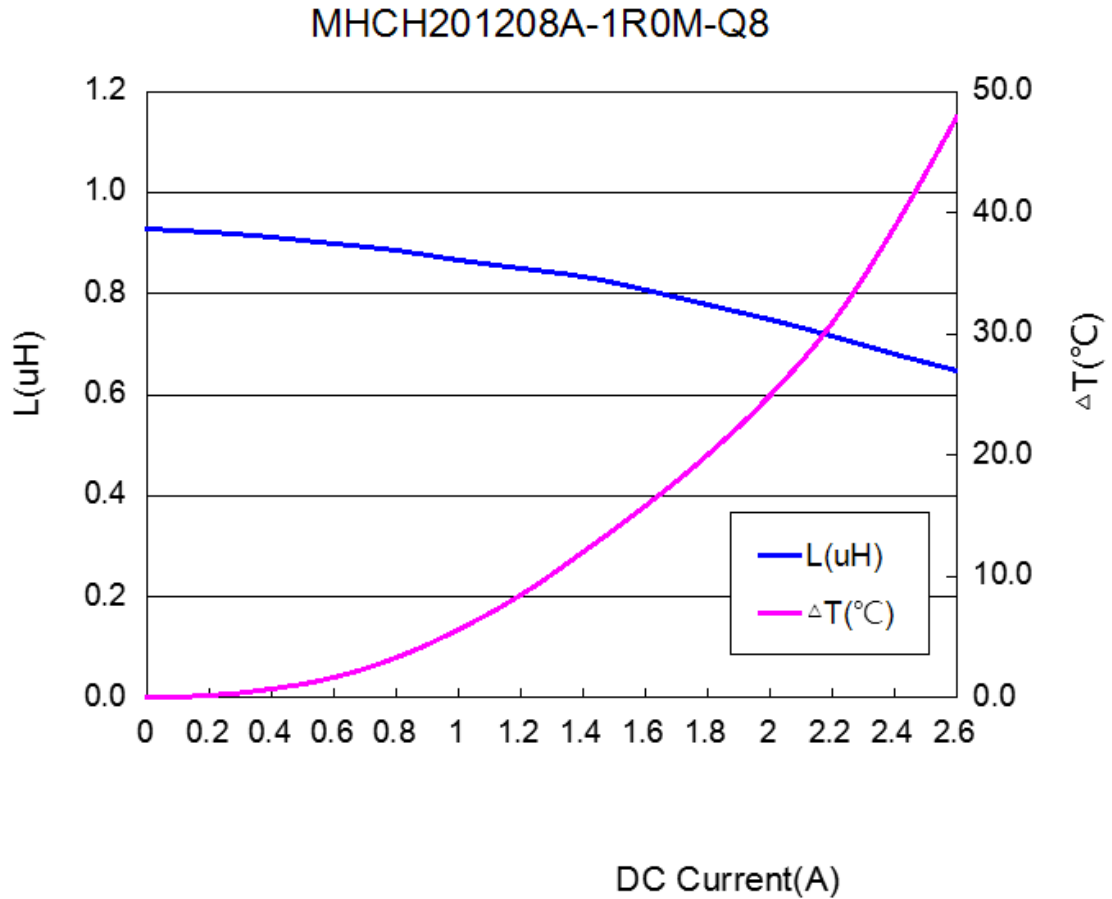
| TYPE | A | B | C |
|-------------|---------|---------|----------|
| MHCH201208A | 0.8~1.2 | 2.3~2.9 | 1.0~1.45 |

11 Note:

1. Please make sure that your product has been evaluated and confirmed against your specifications when our product is mounted to your product.
2. Do not knock nor drop.
3. All the items and parameters in this product specification have been prescribed on the premise that our product is used for the purpose, under the condition and in the environment agreed upon between you and us. You are requested not to use our product deviating from such agreement.
4. Please keep the distance between transformer/coil and other components (refer to the standard IEC 950)
5. After manufacturing process, there might be slight irregular shape on the edge of the products, and it's a normal phenomenon that can be neglected
6. The moisture sensitivity level (MSL) of products is classified as level 1.

MHCH201208A Series Specification

12 Graph:



单击下面可查看定价，库存，交付和生命周期等信息

[>>CHILISIN\(奇力新\)](#)