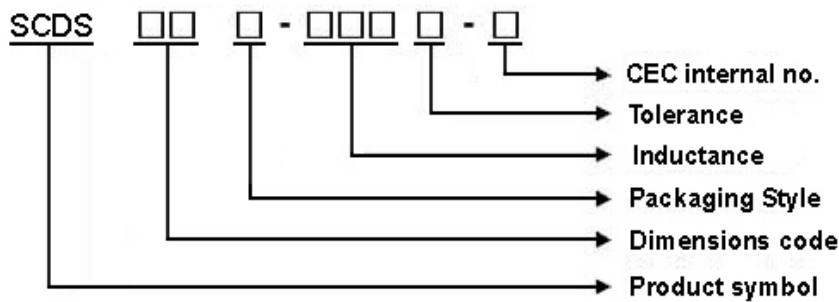




# SCDS73T Series Specification

**1 Scope:** This specification applies to SMD Shielded Power Choke

**2 Part Numbering:**



**3 Rating:**

Operating Temperature:  $-40^{\circ}\text{C} \sim 105^{\circ}\text{C}$  (Including self - temperature rise)

Storage Temperature:  $20^{\circ}\text{C} \sim 25^{\circ}\text{C}$  R.H. 65% (In Tape & Reel Condition)

**4 Marking:**



**Ex: SCDS73T-100M-N**

**Marking: 100**

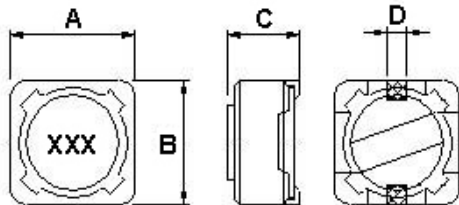
**Marking color : Black**

**5 Standard Testing Condition**

	Unless otherwise specified	In case of doubt
Temperature	Ordinary Temperature(15 to 35°C)	20 to 30°C
Humidity	Ordinary Humidity(25 to 85% RH)	50 to 80 %RH

## SCDS73T Series Specification

### 6 Configuration and Dimensions:



Dimensions in mm

TYPE	SCDS73
A	7.3±0.2
B	7.3±0.2
C	3.4 Max.
D	1.8

### 7 Electrical Characteristics:

Part No.	Inductance (uH)	Test Freq.	RDC (Ω)Max.	Isat (A)	Tolerance	Marking
SCDS73T-1R5□-N	1.5	1 kHz, 1 V	0.03	4	M	1R5
SCDS73T-2R2□-N	2.2	1 kHz, 1 V	0.03	4	M	2R2
SCDS73T-3R3□-N	3.3	1 kHz, 1 V	0.04	3.7	M	3R3
SCDS73T-6R8□-N	6.8	1 kHz, 1 V	0.06	2	M	6R8
SCDS73T-100□-N	10	1 kHz, 1 V	0.072	1.68	M	100
SCDS73T-120□-N	12	1 kHz, 1 V	0.098	1.52	M	120
SCDS73T-150□-N	15	1 kHz, 1 V	0.13	1.33	M	150
SCDS73T-180□-N	18	1 kHz, 1 V	0.14	1.2	M	180
SCDS73T-220□-N	22	1 kHz, 1 V	0.19	1.07	M	220
SCDS73T-270□-N	27	1 kHz, 1 V	0.21	0.96	M	270
SCDS73T-330□-N	33	1 kHz, 1 V	0.24	0.91	M	330
SCDS73T-390□-N	39	1 kHz, 1 V	0.32	0.77	M	390
SCDS73T-470□-N	47	1 kHz, 1 V	0.36	0.76	M	470
SCDS73T-560□-N	56	1 kHz, 1 V	0.47	0.68	M	560
SCDS73T-680□-N	68	1 kHz, 1 V	0.52	0.61	M	680
SCDS73T-820□-N	82	1 kHz, 1 V	0.69	0.57	M	820
SCDS73T-101□-N	100	1 kHz, 1 V	0.79	0.5	M	101
SCDS73T-121□-N	120	1 kHz, 1 V	0.89	0.49	M	121
SCDS73T-151□-N	150	1 kHz, 1 V	1.27	0.43	M	151
SCDS73T-181□-N	180	1 kHz, 1 V	1.45	0.39	M	181
SCDS73T-221□-N	220	1 kHz, 1 V	1.65	0.35	M	221
SCDS73T-271□-N	270	1 kHz, 1 V	2.31	0.32	M	271
SCDS73T-331□-N	330	1 kHz, 1 V	2.62	0.28	M	331
SCDS73T-391□-N	390	1 kHz, 1 V	2.94	0.26	M	391
SCDS73T-471□-N	470	1 kHz, 1 V	4.18	0.24	M	471

NOTE: □-tolerance M=±20%

1. Operating temperature range - 40 °C ~ 105 °C (Including self - temperature rise)

2. Isat for Inductance drop 35% from its value without current.

"-N" FOR COMPLETELY LEAD FREE TYPE (INCLUDING FERRITE BODY & SOLDER)



ISO9001 ISO14001 IATF16949 CHILISIN ELECTRONICS CORP.

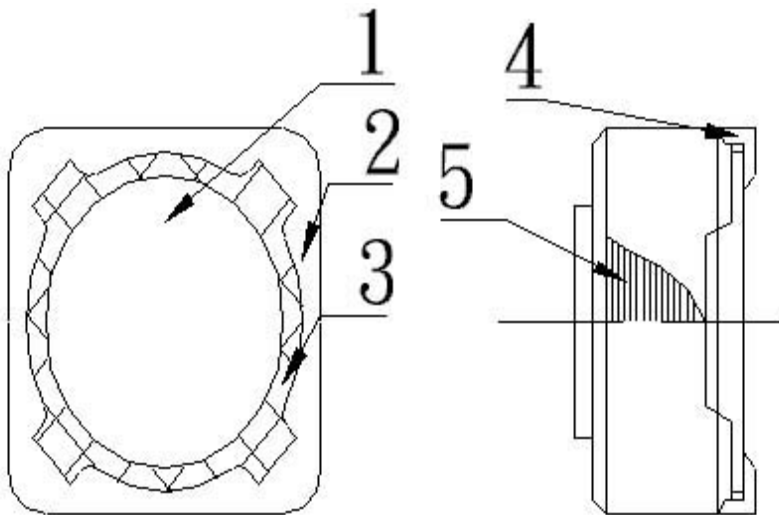
## SCDS73T Series Specification

Part No.	Inductance ( $\mu$ H)	Test Freq.	RDC ( $\Omega$ )Max.	Isat (A)	Tolerance	Marking
SCDS73T-561□-N	560	1 kHz, 1 V	4.67	0.22	M	561
SCDS73T-681□-N	680	1 kHz, 1 V	5.73	0.19	M	681
SCDS73T-821□-N	820	1 kHz, 1 V	6.54	0.18	M	821
SCDS73T-102□-N	1000	1 kHz, 1 V	9.44	0.16	M	102

# SCDS73T Series Specification

## 8 SCDS73T Series

### 8.1 Construction:



### 8.2 Material List:

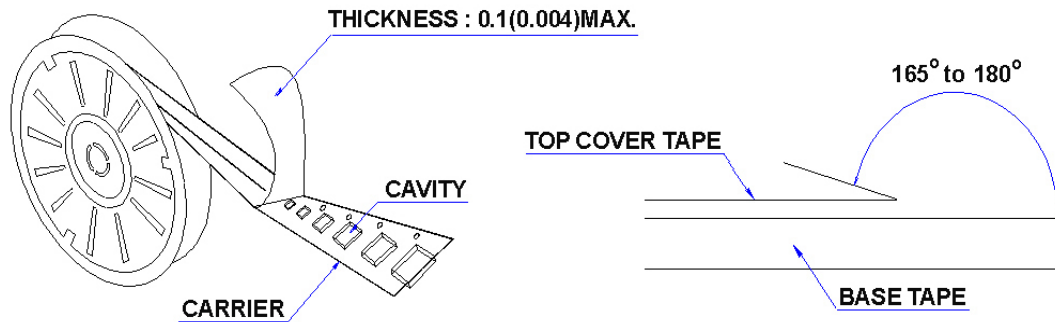
No	Part	Material
1	CORE	FERRITE
2	CORE	FERRITE
3	EPOXY	
4	TERMINAL	TERMINAL COPPER
5	WIRE	MAGNET WIRE

# SCDS73T Series Specification

## 9 Packaging:

### 9.1 Packaging -Cover Tape

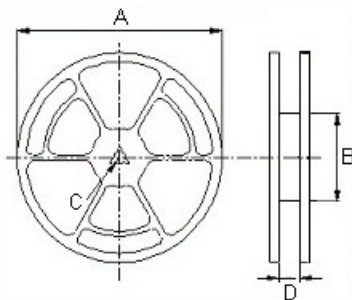
The force for tearing off cover tape is 10 to 130 grams in the arrow direction.



### 9.2 Packaging Quantity

TYPE	PCS/REEL
SCDS73	1600
SCDS74	1000
SCDS124	500
SCDS125	600
SCDS127	500

### 9.3 Reel Dimensions



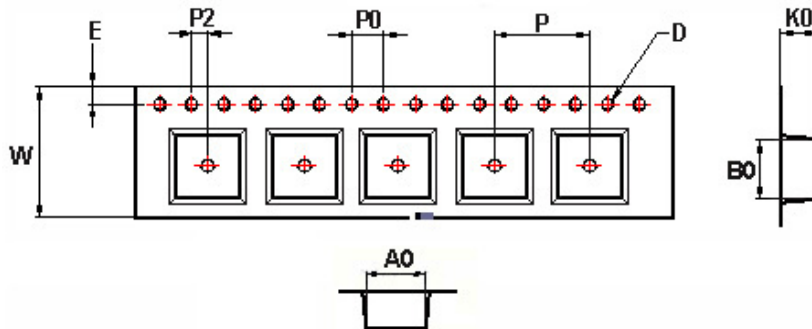
Dimensions in mm

TYPE	A	B	C	D
SCDS73	330	100	13	16.0
SCDS74	330	100	13	16.0
SCDS124	330	100	13	24.4
SCDS125	330	100	13	24.4
SCDS127	330	100	13	24.4

# SCDS73T Series Specification

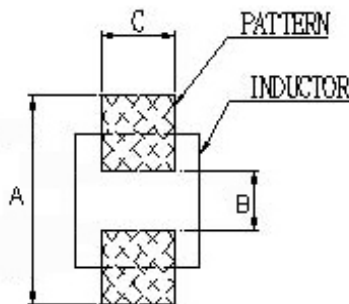
## 9 Packaging:

### 9.4 Tape Dimensions in mm



TYPE	A0	B0	K0	D	E	W	P	P0	P2
SCDS73	7.6	7.6	3.6	1.55	1.75	16	12	4	2

## 10 Recommended Land Pattern:



Dimensions in mm

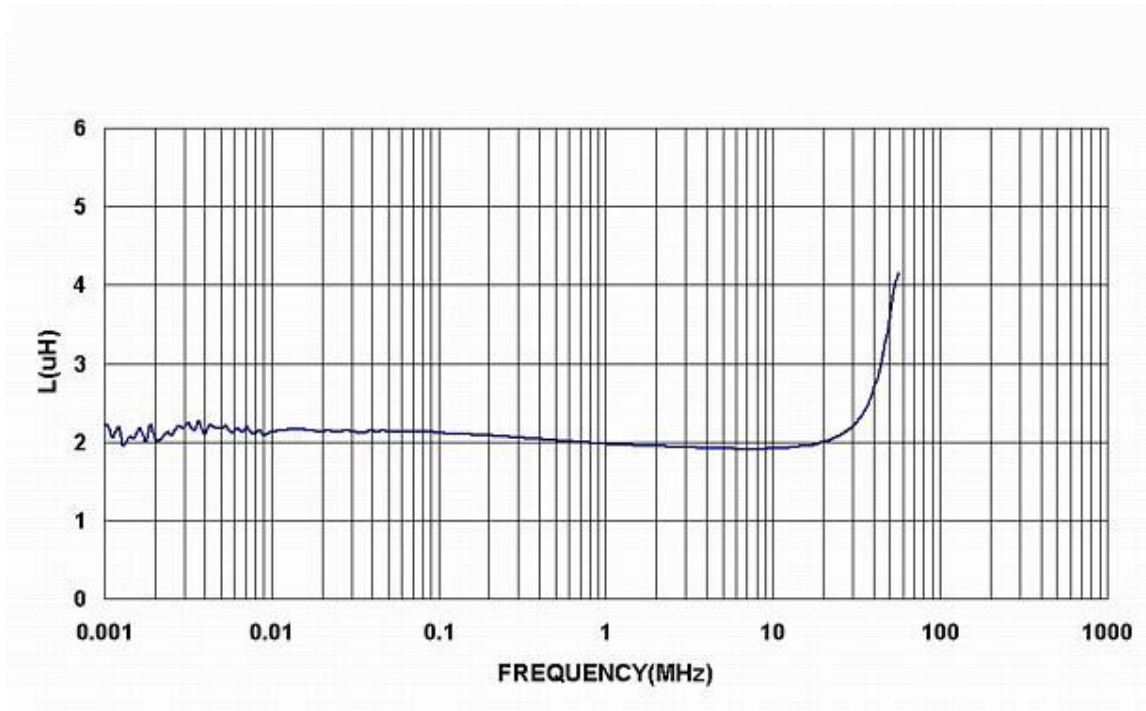
TYPE	A	B	C
SCDS73	8.4	4.4	2.2
SCDS74	8.4	4.4	2.2

## 11 Note:

1. Please make sure that your product has been evaluated and confirmed against your specifications when our product is mounted to your product.
2. Do not knock nor drop.
3. All the items and parameters in this product specification have been prescribed on the premise that our product is used for the purpose, under the condition and in the environment agreed upon between you and us. You are requested not to use our product deviating from such agreement.
4. Please keep the distance between transformer/coil and other components (refer to the standard IEC 950)
5. The moisture sensitivity level (MSL) of products is classified as level 1.

# SCDS73T Series Specification

12 Graph: SCDS73T-2R2M-N





单击下面可查看定价，库存，交付和生命周期等信息

[>>CHILISIN\(奇力新\)](#)