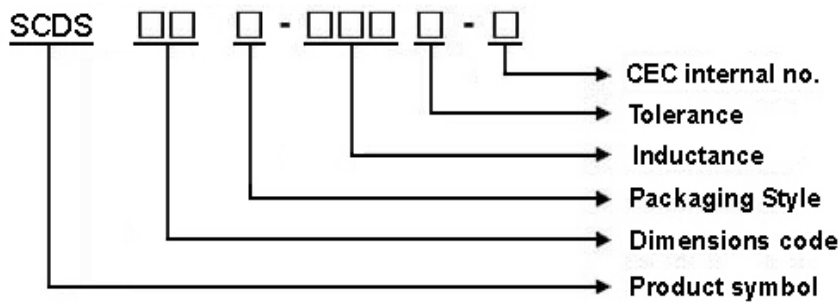


SCDS74T Series Specification

1 Scope: This specification applies to SMD Shielded Power Choke

2 Part Numbering:



3 Rating:

Operating Temperature: $-40^{\circ}\text{C} \sim 105^{\circ}\text{C}$ (Including self - temperature rise)

Storage Temperature: $20^{\circ}\text{C} \sim 25^{\circ}\text{C}$ R.H. 65% (In Tape & Reel Condition)

4 Marking:



Ex: SCDS74T-100M-N

Marking: 100

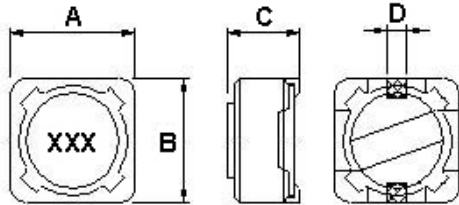
Marking color : Black

5 Standard Testing Condition

| | Unless otherwise specified | In case of doubt |
|-------------|-----------------------------------|------------------|
| Temperature | Ordinary Temperature (15 to 35°C) | 20 to 30°C |
| Humidity | Ordinary Humidity (25 to 85% RH) | 50 to 80 %RH |

SCDS74T Series Specification

6 Configuration and Dimensions:



Dimensions in mm

| TYPE | SCDS74 |
|------|----------|
| A | 7.3±0.2 |
| B | 7.3±0.2 |
| C | 4.5 Max. |
| D | 1.8 |

7 Electrical Characteristics:

| Part No. | Inductance (uH) | Test Freq. | RDC (Ω)Max. | Isat (A) | Tolerance | Marking |
|----------------|-----------------|------------|-------------|----------|-----------|---------|
| SCDS74T-1R5□-N | 1.5 | 1 kHz, 1 V | 0.02 | 5 | M | 1R5 |
| SCDS74T-1R8□-N | 1.8 | 1 kHz, 1 V | 0.025 | 4 | M | 1R8 |
| SCDS74T-2R2□-N | 2.2 | 1 kHz, 1 V | 0.025 | 3.5 | M,T | 2R2 |
| SCDS74T-2R7□-N | 2.7 | 1 kHz, 1 V | 0.03 | 3.5 | M,T | 2R7 |
| SCDS74T-3R3□-N | 3.3 | 1 kHz, 1 V | 0.035 | 3.5 | M,T | 3R3 |
| SCDS74T-3R6□-N | 3.6 | 1 kHz, 1 V | 0.035 | 3.2 | M,T | 3R6 |
| SCDS74T-4R7□-N | 4.7 | 1 kHz, 1 V | 0.035 | 3 | M,T | 4R7 |
| SCDS74T-6R8□-N | 6.8 | 1 kHz, 1 V | 0.045 | 2.5 | M | 6R8 |
| SCDS74T-100□-N | 10 | 1 kHz, 1 V | 0.049 | 1.84 | M | 100 |
| SCDS74T-120□-N | 12 | 1 kHz, 1 V | 0.058 | 1.71 | M | 120 |
| SCDS74T-150□-N | 15 | 1 kHz, 1 V | 0.081 | 1.47 | M | 150 |
| SCDS74T-180□-N | 18 | 1 kHz, 1 V | 0.091 | 1.31 | M | 180 |
| SCDS74T-220□-N | 22 | 1 kHz, 1 V | 0.11 | 1.23 | M | 220 |
| SCDS74T-270□-N | 27 | 1 kHz, 1 V | 0.15 | 1.12 | M | 270 |
| SCDS74T-330□-N | 33 | 1 kHz, 1 V | 0.17 | 0.96 | M | 330 |
| SCDS74T-390□-N | 39 | 1 kHz, 1 V | 0.23 | 0.91 | M | 390 |
| SCDS74T-470□-N | 47 | 1 kHz, 1 V | 0.26 | 0.88 | M | 470 |
| SCDS74T-560□-N | 56 | 1 kHz, 1 V | 0.35 | 0.75 | M | 560 |
| SCDS74T-680□-N | 68 | 1 kHz, 1 V | 0.38 | 0.69 | M | 680 |
| SCDS74T-820□-N | 82 | 1 kHz, 1 V | 0.43 | 0.61 | M | 820 |
| SCDS74T-101□-N | 100 | 1 kHz, 1 V | 0.61 | 0.6 | M | 101 |
| SCDS74T-121□-N | 120 | 1 kHz, 1 V | 0.66 | 0.52 | M | 121 |
| SCDS74T-151□-N | 150 | 1 kHz, 1 V | 0.88 | 0.46 | M | 151 |
| SCDS74T-181□-N | 180 | 1 kHz, 1 V | 0.98 | 0.42 | M | 181 |
| SCDS74T-221□-N | 220 | 1 kHz, 1 V | 1.17 | 0.36 | K,M | 221 |

NOTE: □-tolerance K=±10% / M=±20% / T=±30%

1. Operating temperature range - 40 °C ~ 105 °C (Including self - temperature rise)

2. Isat for Inductance drop 35% from its value without current.

"-N" FOR COMPLETELY LEAD FREE TYPE (INCLUDING FERRITE BODY & SOLDER)



ISO9001 ISO14001 IATF16949 CHILISIN ELECTRONICS CORP.

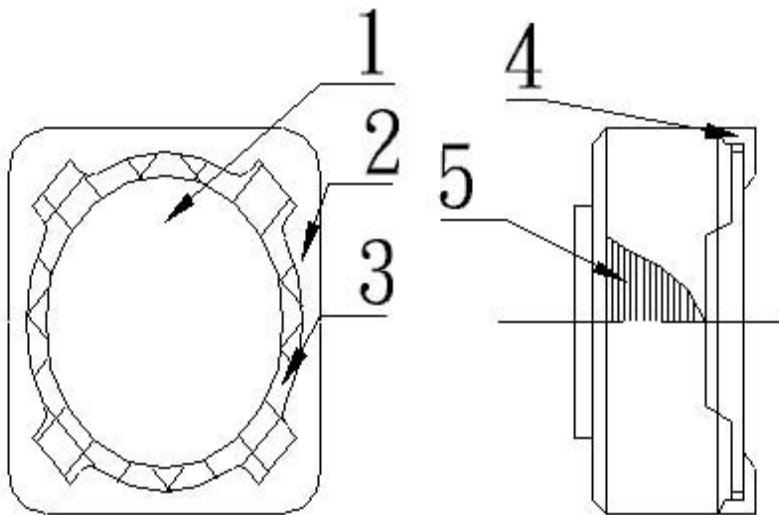
SCDS74T Series Specification

| Part No. | Inductance (μ H) | Test Freq. | RDC (Ω)Max. | Isat (A) | Tolerance | Marking |
|----------------|--------------------------|------------|-------------------------|-------------|-----------|---------|
| SCDS74T-271□-N | 270 | 1 kHz, 1 V | 1.64 | 0.34 | K,M | 271 |
| SCDS74T-331□-N | 330 | 1 kHz, 1 V | 1.86 | 0.32 | K,M | 331 |
| SCDS74T-391□-N | 390 | 1 kHz, 1 V | 2.85 | 0.29 | K,M | 391 |
| SCDS74T-471□-N | 470 | 1 kHz, 1 V | 3.01 | 0.26 | K,M | 471 |
| SCDS74T-561□-N | 560 | 1 kHz, 1 V | 3.62 | 0.23 | K,M | 561 |
| SCDS74T-681□-N | 680 | 1 kHz, 1 V | 4.63 | 0.22 | K,M | 681 |
| SCDS74T-821□-N | 820 | 1 kHz, 1 V | 5.2 | 0.2 | K,M | 821 |
| SCDS74T-102□-N | 1000 | 1 kHz, 1 V | 6 | 0.18 | K,M | 102 |

SCDS74T Series Specification

8 SCDS74T Series

8.1 Construction:



8.2 Material List:

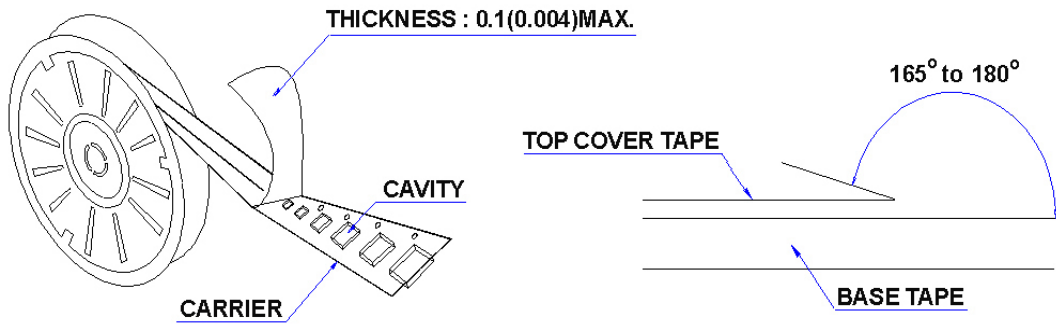
| No | Part | Material |
|----|----------|--------------------|
| 1 | CORE | FERRITE |
| 2 | CORE | FERRITE |
| 3 | EPOXY | |
| 4 | TERMINAL | TERMINAL COPPER |
| 5 | WIRE | MAGNET WIRE |

SCDS74T Series Specification

9 Packaging:

9.1 Packaging -Cover Tape

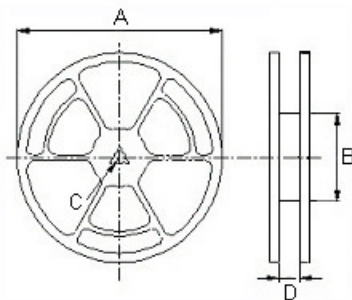
The force for tearing off cover tape is 10 to 130 grams in the arrow direction.



9.2 Packaging Quantity

| TYPE | PCS/REEL |
|---------|----------|
| SCDS73 | 1600 |
| SCDS74 | 1000 |
| SCDS124 | 500 |
| SCDS125 | 600 |
| SCDS127 | 500 |

9.3 Reel Dimensions



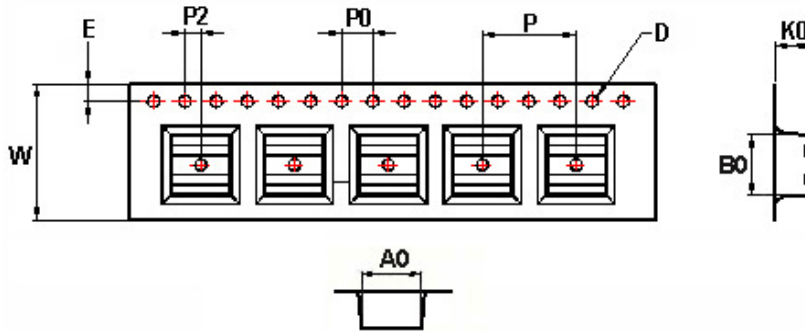
Dimensions in mm

| TYPE | A | B | C | D |
|---------|-----|-----|----|------|
| SCDS73 | 330 | 100 | 13 | 16.0 |
| SCDS74 | 330 | 100 | 13 | 16.0 |
| SCDS124 | 330 | 100 | 13 | 24.4 |
| SCDS125 | 330 | 100 | 13 | 24.4 |
| SCDS127 | 330 | 100 | 13 | 24.4 |

SCDS74T Series Specification

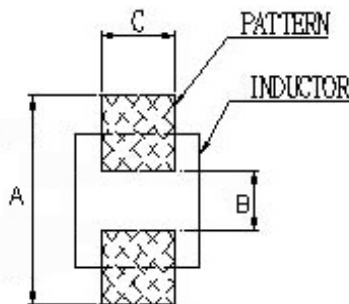
9 Packaging:

9.4 Tape Dimensions in mm



| TYPE | A0 | B0 | K0 | D | E | W | P | P0 | P2 |
|--------|-----|-----|-----|------|------|----|----|----|----|
| SCDS74 | 7.6 | 7.6 | 5.0 | 1.55 | 1.75 | 16 | 12 | 4 | 2 |

10 Recommended Land Pattern:



Dimensions in mm

| TYPE | A | B | C |
|--------|-----|-----|-----|
| SCDS73 | 8.4 | 4.4 | 2.2 |
| SCDS74 | 8.4 | 4.4 | 2.2 |

11 Note:

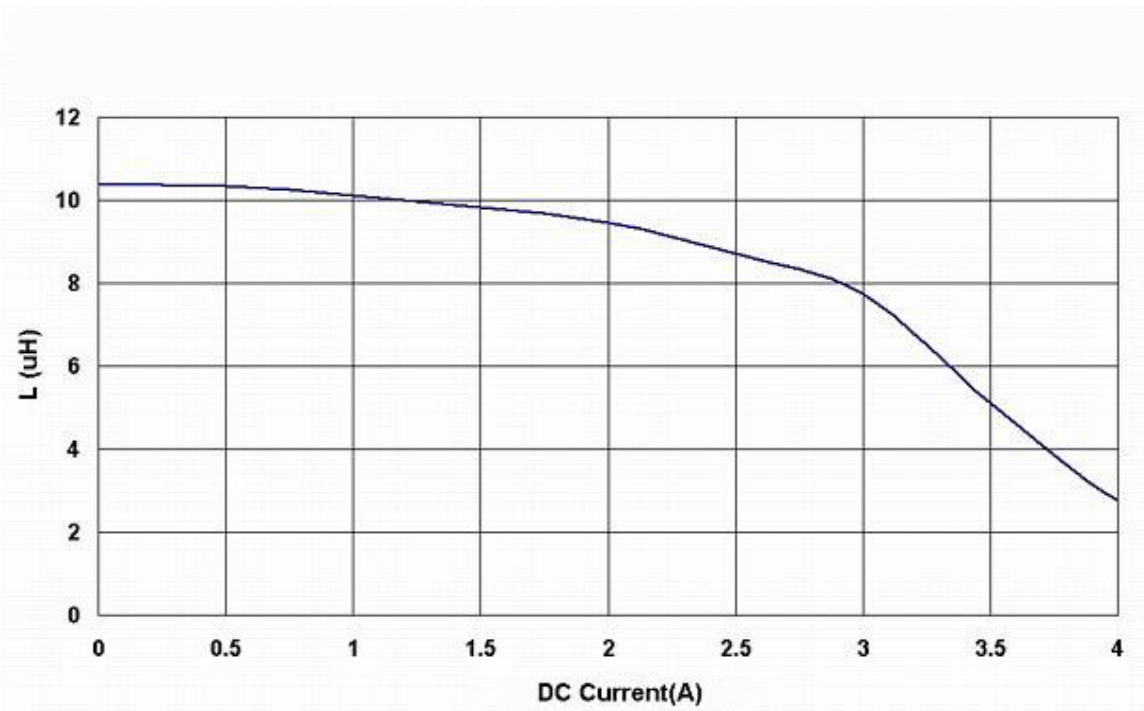
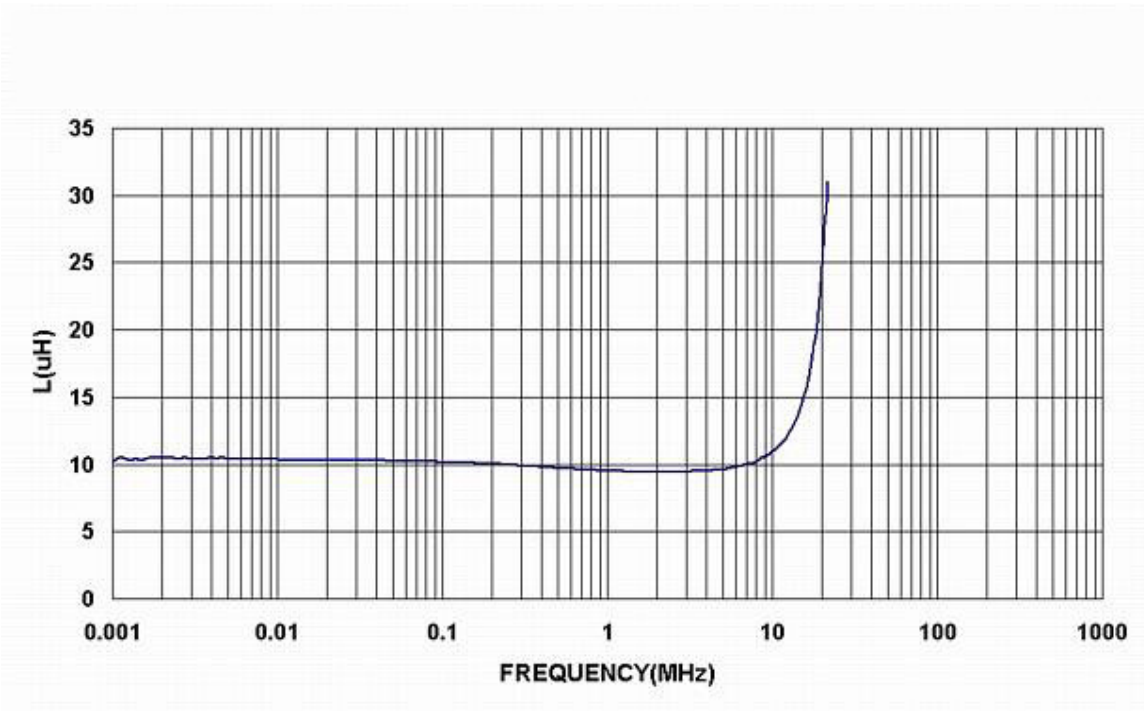
1. Please make sure that your product has been evaluated and confirmed against your specifications when our product is mounted to your product.
2. Do not knock nor drop.
3. All the items and parameters in this product specification have been prescribed on the premise that our product is used for the purpose, under the condition and in the environment agreed upon between you and us. You are requested not to use our product deviating from such agreement.
4. Please keep the distance between transformer/coil and other components (refer to the standard IEC 950)
5. The moisture sensitivity level (MSL) of products is classified as level 1.



ISO9001 ISO14001 IATF16949 CHILISIN ELECTRONICS CORP.

SCDS74T Series Specification

12 Graph: SCDS74T-100M-N



单击下面可查看定价，库存，交付和生命周期等信息

[>>CHILISIN\(奇力新\)](#)