
CH7213D USB Type-C Logic Controller

FEATURES

- Compliant with Type-C Specification Revision 1.4
- Compliant with the Power Delivery Specification Revision 3.0
- Supports VESA DisplayPort Alt. Mode 1.0a
- USB Type-C electronically marker component supported
- Bi-directional conversion between the HPD signal and Power Delivery VDM
- Support DisplayPort AUX Channel DC voltage level detection
- Rp and Rd resistors integrated
- Built-in Ra termination resistor
- USB Type-C SBU and DisplayPort AUX Channel switch integrated
- Integrated USB Billboard Class, Version 1.21 for supporting USB Type-C Alt. Mode
- Support VCONN power. 5V to 3.3V and 3.3V to 1.2V Regulator integrated to save BOM cost
- Embedded MCU and ROM
- IIC slave interface
- Firmware update capability
- Crystal free
- RoHS compliant and Halogen free package
- Offered in 16-Pin QFN (4x4 mm)

APPLICATION

- USB Type-C to DisplayPort adapter
- DisplayPort to USB Type-C adapter
- Type-C docking
- USB Type-C to Multi-video adapter

GENERAL DESCRIPTION

Chrontel's CH7213D is a low cost USB Type-C logic controller. The device is targeted for system designers implementing USB Type-C devices with DisplayPort capabilities and USB Power Delivery 3.0 support. CH7213D's robust Power Delivery 3.0 module using the BMC protocol can enable USB Type-C devices operating in various power management roles including Consumer and Provider. The DisplayPort Alt. mode is another alternative interface supported in the CH7213D. A built-in Billboard Class can be automatically exposed to the USB 2.0 D+/- bus if a Type-C PD Source (DFP) does not equip USB Type-C Alt. Mode features that support DisplayPort signal transmission. The system with CH7213D's DisplayPort Alt. mode enabled can be programmed to support Type-C to DisplayPort display or DisplayPort to a Type-C DP Alt. mode monitor. The CH7213D's bi-directional signal converter for the DisplayPort HPD (hot plug detection) and VDM (Vendor Defined Message) is capable of translating the HPD to the appropriated VDM to Type-C DP device and vice versa. In addition to hardware support of PHY and Link layers, the CH7213D has an internal microprocessor to handle the cable logic communication and can be programmed for customization according to the application of USB Type-C platforms.

For reducing the BOM cost of final products, the CH7213D integrates all necessary components and circuits, such as LDO, clock generation isolation circuit, R_a, R_d and R_p etc.

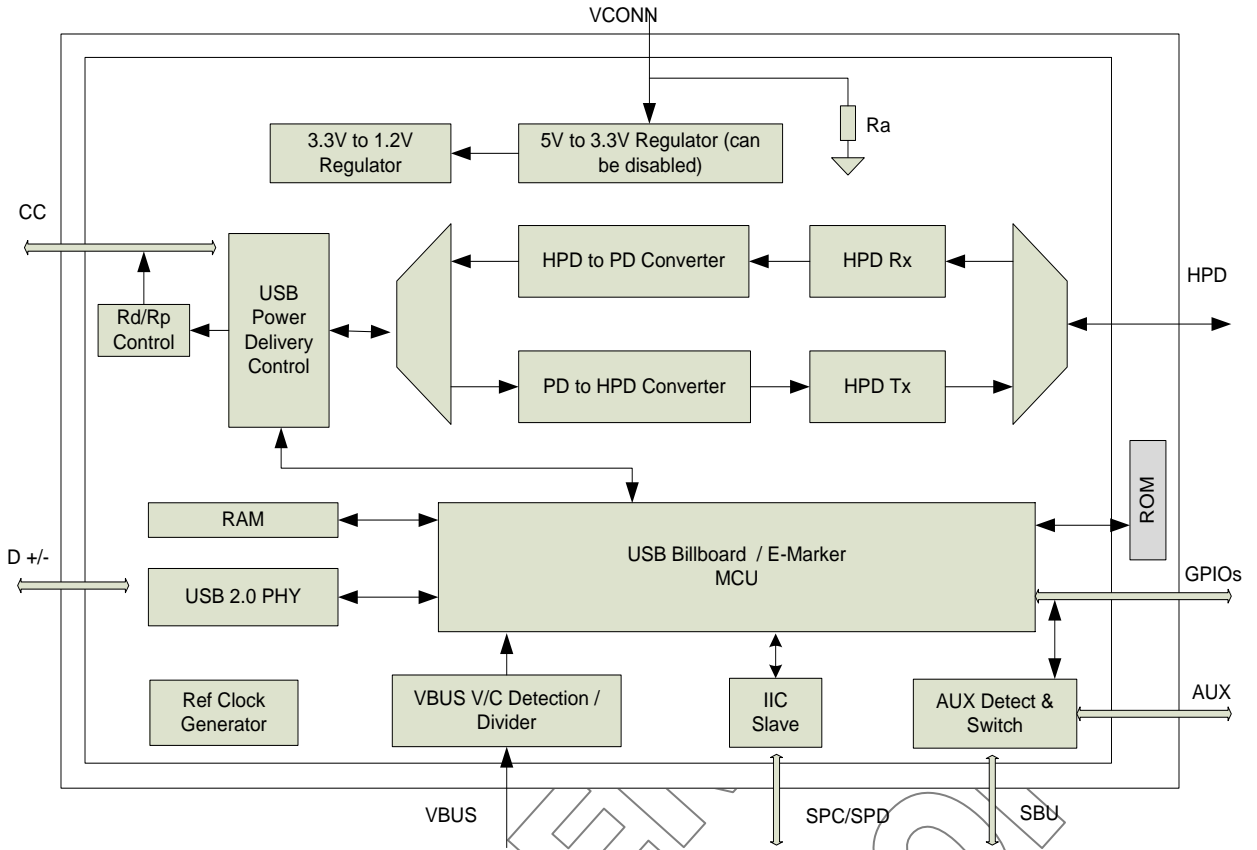


Figure 1: CH7213D Functional Block Diagram

CONFIDENTIAL
DO NOT COPY

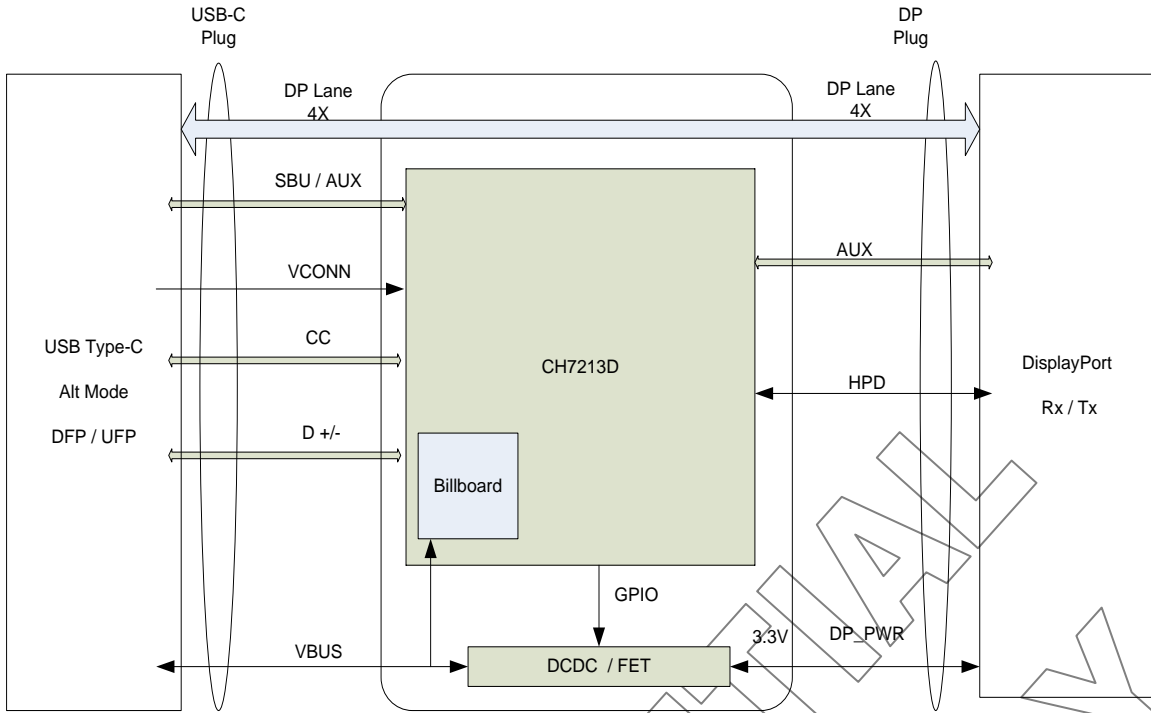


Figure 2: CH7213D USB-C to DisplayPort Bi-directional Converter

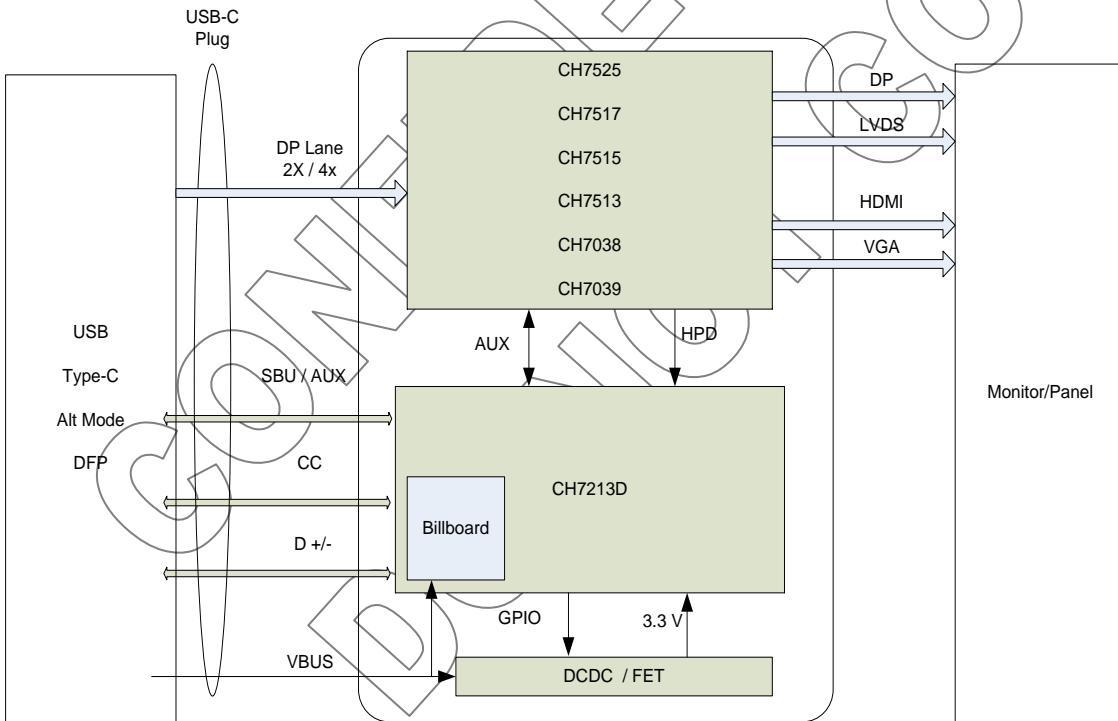


Figure 3: CH7213D USB-C to Multi-video Interfaces Converter Block Diagram

1.0 PIN-OUT

1.1 Package Diagram

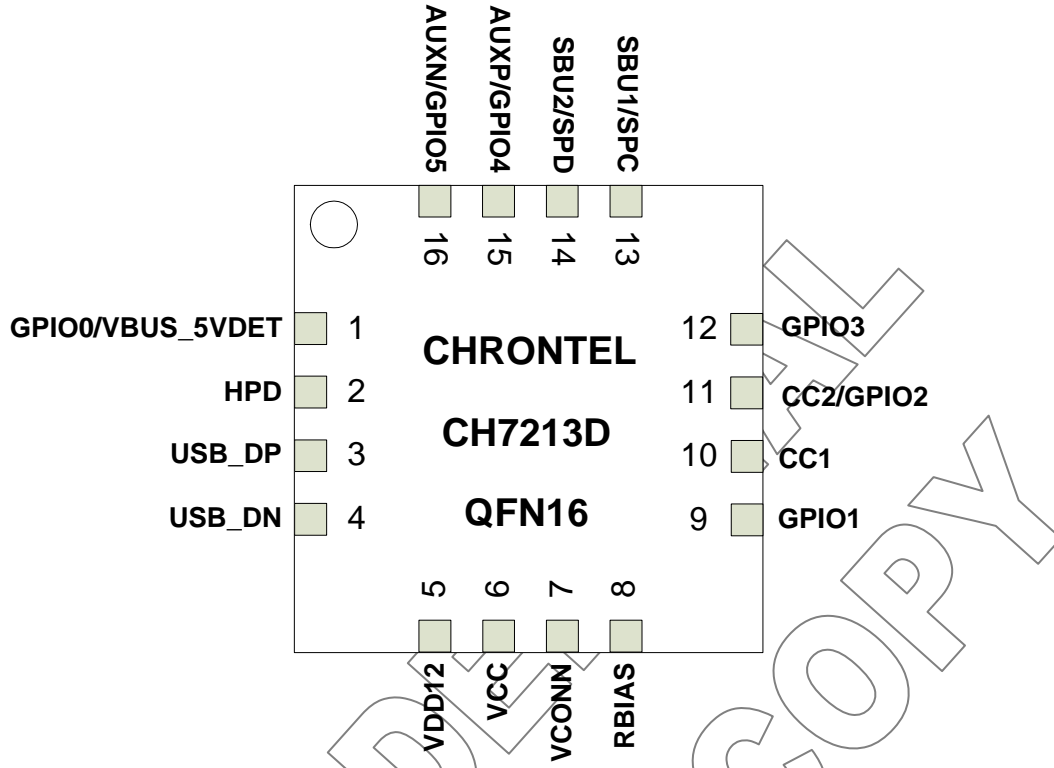


Figure 4: CH7213D 16 pin QFN Pin Out

1.2 Pin Description

Table 1: QFN 16 Pin Description

Pin #	Type	Symbol	Description
1	I/O	GPIO0	General Purpose Input/Output
	I	VBUS_5VDET	5V-only VBUS Detection
2	I/O	HPD	DisplayPort HPD
3	I/O	USB_DP	USB Billboard Positive Data Line
4	I/O	USB_DN	USB Billboard Negative Data Line
8	I	RBIAS	Analog reference resistor, external resistor is 10K with 1% accuracy
9	I/O	GPIO1	General Purpose Input/Output
10	I/O	CC1	Type-C Port Configuration Channel
11	I/O	CC2	Type-C Port Configuration Channel
	I/O	GPIO2	General Purpose Input/Output
12	I/O	GPIO3	General Purpose Input/Output
13	I/O	SBU1	USB Type-C Sideband Use 1
	I	SPC	I2C Slave Serial Port Clock Input External pull-up 6.8 kΩ Resistor is required.
	O	SPC	I2C Master Serial Port Clock Output External pull-up 6.8 kΩ Resistor is required.
14	I/O	SBU2	USB Type-C Sideband Use 2
	I/O	SPD	I2C Slave Serial Port Data Input / Output External pull-up 6.8 kΩ Resistor is required.
	I/O	SPD	I2C Master Serial Port Data Input / Output External pull-up 6.8 kΩ Resistor is required.
15	I/O	AUXP	DisplayPort Positive AUX CH
	I/O	GPIO4	General Purpose Input/Output
16	I/O	AUXN	DisplayPort Negative AUX CH
	I/O	GPIO5	General Purpose Input/Output
5	PWR	VDD12	Digital Power Supply(1.2V)
6	PWR	VCC	3.3V Power Supply (Connected to VCONN via internal LDO)
7	PWR	VCONN	Vconn Power Supply These pins connect to VCONN of the plug on the other side of the USB Type-C cable.
thermal pad	Power	AVSS	Ground

2.0 PACKAGE DIMENSION

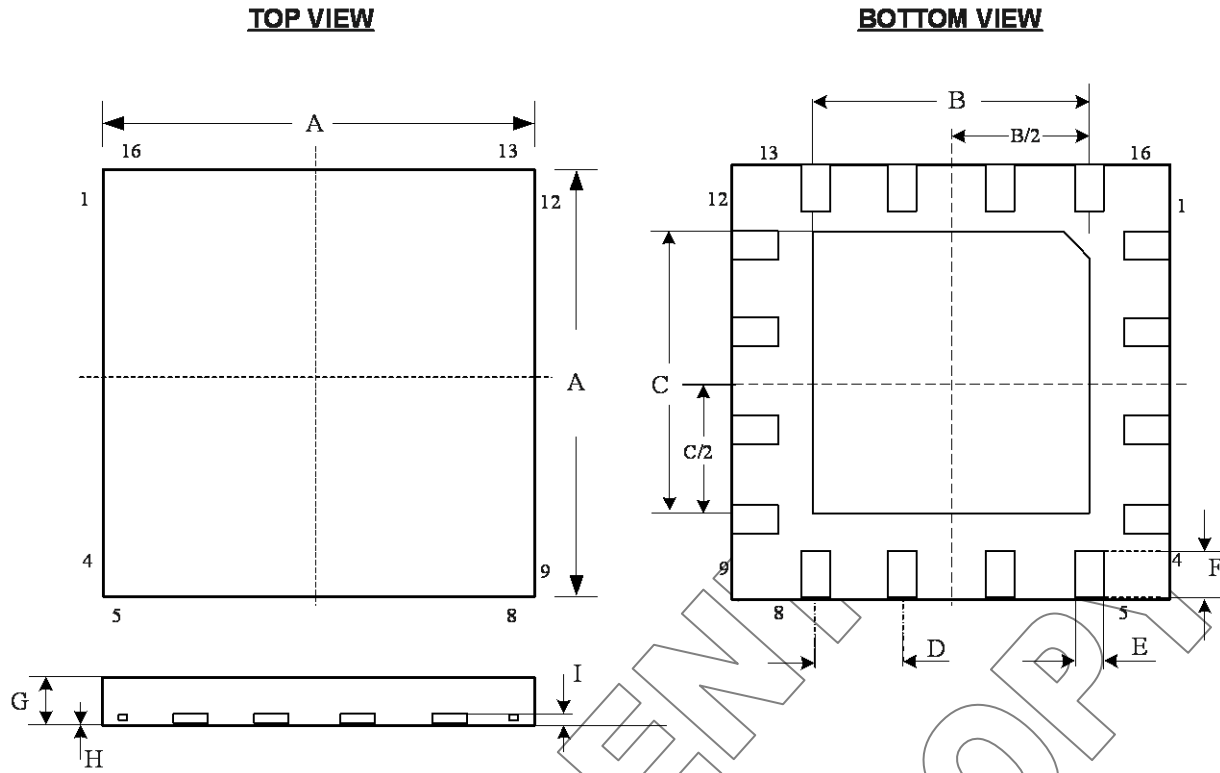


Figure 5: 16 Pin QFN Package

Table of Dimensions

No. of Leads		SYMBOL								
16 (4 X4 mm)		A	B	C	D	E	F	G	H	I
Milli-meters	MIN	3.90	2.40	2.40	0.65BSC	0.25	0.30	0.70	0	0.203
	NOM	4.00	2.50	2.50		0.30	0.40	0.75	0.02	
	MAX	4.10	2.60	2.60		0.35	0.50	0.80	0.05	

Notes:

1. Conforms to ASME Y14.5M-1994.

Disclaimer

This document provides technical information for the user. Chrontel reserves the right to make changes at any time without notice to improve and supply the best possible product and is not responsible and does not assume any liability for misapplication or use outside the limits specified in this document. CHRONTEL warrants each part to be free from defects in material and workmanship for a period of one (1) year from date of shipment. Chrontel assumes no liability for errors contained within this document. The customer should make sure that they have the most recent data sheet version. Customers should take appropriate action to ensure their use of the products does not infringe upon any patents. Chrontel, Inc. respects valid patent rights of third parties and does not infringe upon or assist others to infringe upon such rights.

Chrontel PRODUCTS ARE NOT AUTHORIZED FOR AND SHOULD NOT BE USED WITHIN LIFE SUPPORT SYSTEMS OR NUCLEAR FACILITY APPLICATIONS WITHOUT THE SPECIFIC WRITTEN CONSENT OF Chrontel. Life support systems are those intended to support or sustain life and whose failure to perform when used as directed can reasonably expect to result in personal injury or death.

ORDERING INFORMATION			
Part Number	Package Type	Operating Temperature Range	Minimum Order Quantity
CH7213D-BF	16 QFN, Lead-free	Commercial: 0 to 70°C	490/Tray

Chrontel

www.chrontel.com

E-mail: sales@chrontel.com

©2022 Chrontel - All Rights Reserved.

单击下面可查看定价，库存，交付和生命周期等信息

[>>Chrontel\(昆泰\)](#)