

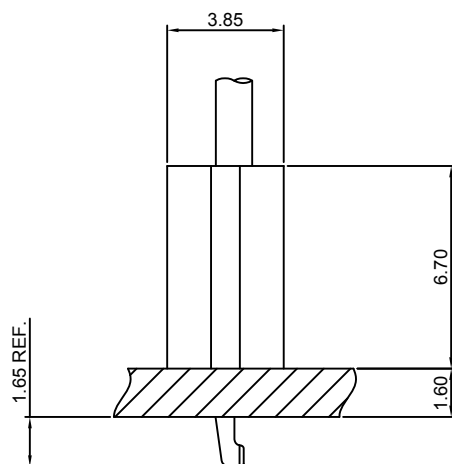
Specifications

Current rating:3A AC,DC
Voltage rating:250V AC,DC
Temperature range:-40°C~+105°C
Contact resistance:10mΩMax.
Insulation resistance:1000MΩMin.
Withstanding voltage:1000V AC/minute
Compliant with RoHS and REACH
Meet the HF/Halogen Free,need to customize
Contact CJT for details

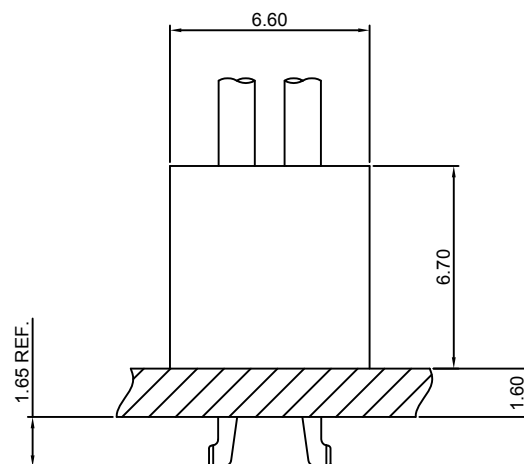
Standards



Assembly layout



Single Row



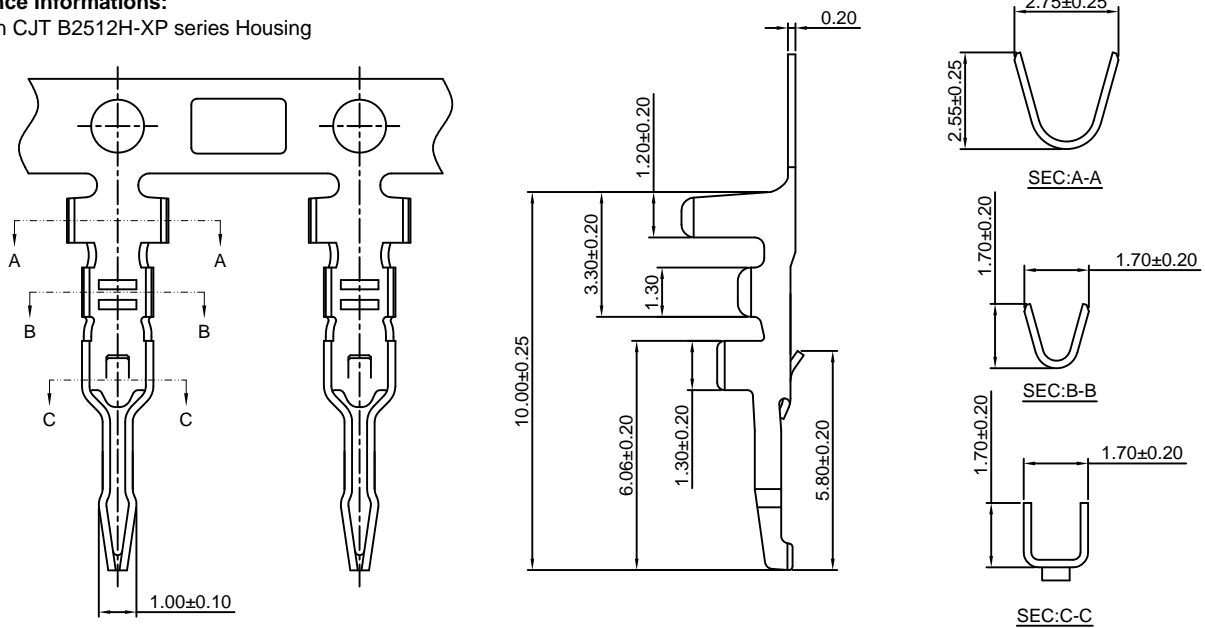
Dual Row

B2512-T

2.50mm pitch Crimp Terminal

Reference Informations:

*Used in CJT B2512H-XP series Housing



Ordering information & Specifications:

Unit:mm

Part NO.	Wire Range	Insulation O.D.	Material	Finish	Qty/reel
B2512-TB	AWG#22-#28	1.70mm(max)	Brass	Tin over Nickel	10,000 PCS
B2512-TP	AWG#22-#28	1.70mm(max)	Phosphor Bronze	Tin over Nickel	10,000 PCS
B2512-GB	AWG#22-#28	1.70mm(max)	Brass	Gold over Nickel	10,000 PCS
B2512-GP	AWG#22-#28	1.70mm(max)	Phosphor Bronze	Gold over Nickel	10,000 PCS

Optional Gold plating available but MOQ requested

B2512H-XP

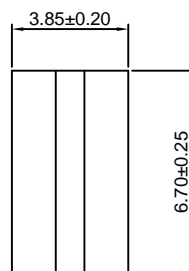
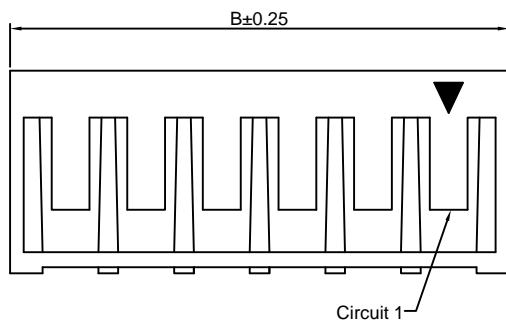
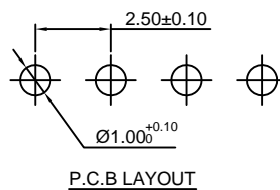
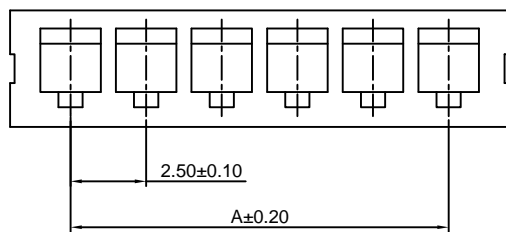
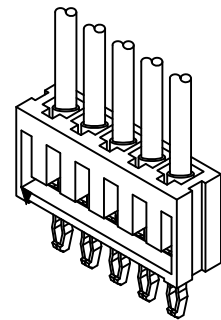
2.50mm pitch Housing

Reference Informations:

- *Material:Nylon 66,UL94V-0
- *Suitable CJT B2512-T series Terminal
- *Color:Natural(white)

Ordering Information:

- B2512H-XP - ***
 1 2
 1.Part No.
 2.Material:
 (blank):Nylon 66,UL94V-0
 GWT:Nylon 66,UL94V-0,GWT 750°C



Ordering Information & Dimensions:

PART NO.	Dimensions	
	A	B
2P	2.50	6.70
3P	5.00	9.20
4P	7.50	11.70
5P	10.00	14.20
6P	12.50	16.70
7P	15.00	19.20
8P	17.50	21.70
9P	20.00	24.20
10P	22.50	26.70
11P	25.00	29.20
12P	27.50	31.70
13P	30.00	34.20
14P	32.50	36.70
15P	35.00	39.20
16P	37.50	41.70

Unit: mm

B2512H-2xXP

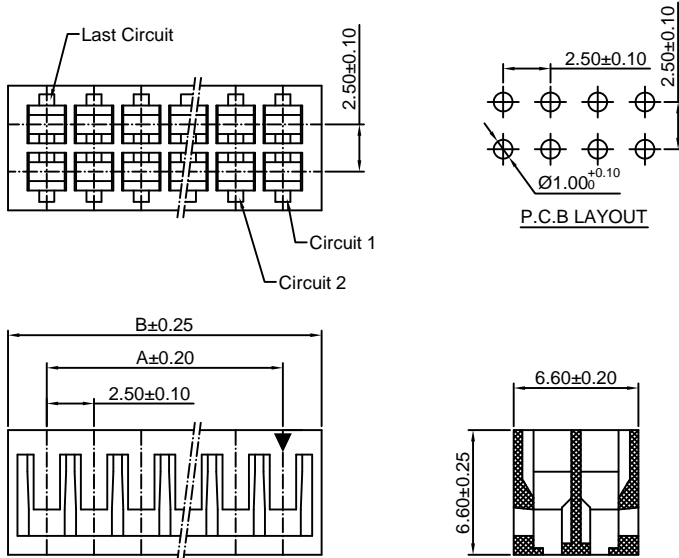
2.50mm pitch Dual Row Housing

Reference Informations:

- *Material:Nylon 66,UL94V-0
- *Suitable CJT B2512-T series Terminal
- *Color:Natural(white)

Ordering Information:

- B2512H-2xXP - ***
 1 2
 1.Part No.
 2.Material:
 (blank):Nylon 66,UL94V-0
 GWT:Nylon 66,UL94V-0,GWT 750°C



Ordering Information & Dimensions:

PART NO.	Dimensions		PART NO.	Dimensions	
	A	B		A	B
2x2P	2.50	5.08	21P	50.00	54.10
2x3P	5.00	9.10	22P	52.50	56.60
2x4P	7.50	11.60	23P	55.00	59.10
2x5P	10.00	14.10	24P	57.50	61.60
2x6P	12.50	16.60	25P	60.00	64.10
2x7P	15.00	19.10	26P	62.50	66.60
2x8P	17.50	21.60	27P	65.00	69.10
2x9P	20.00	24.10	28P	67.50	71.60
2x10P	22.50	26.60	29P	70.00	74.10
2x11P	25.00	29.10	30P	72.50	76.60
2x12P	27.50	31.60	31P	75.00	79.10
2x13P	30.00	34.10	32P	77.50	81.60
2x14P	32.50	36.60	33P	80.00	84.10
2x15P	35.00	39.10	34P	82.50	86.60
2x16P	37.50	41.60	35P	85.00	89.10
2x17P	40.00	44.10	36P	87.50	91.60
2x18P	42.50	46.60	37P	90.00	94.10
2x19P	45.00	49.10	38P	92.50	96.60
2x20P	47.50	51.60			

Unit: mm

B2512WV-XP

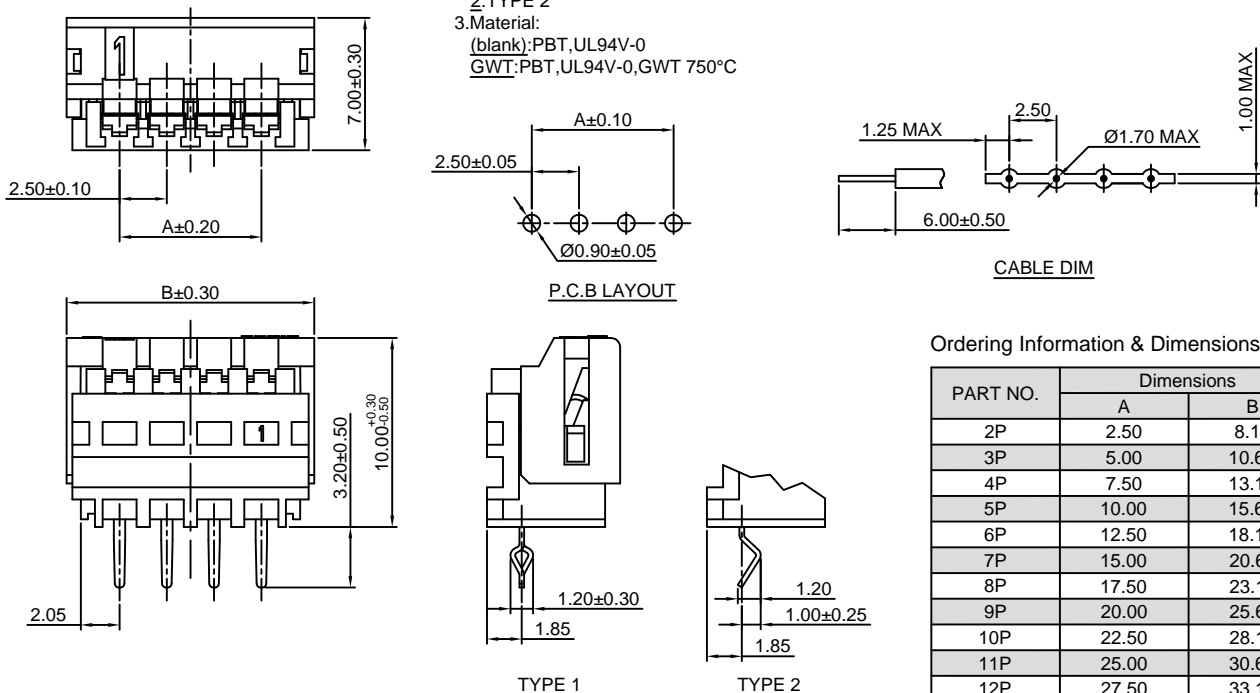
2.50mm pitch 180° Wafer

Reference Informations:

- *Material:Pin:Phosphor Bronze/Tin over Nickel
Insulator:PBT+15%GF, UL94V-0
- *Accepts Cable:Top Coated Wire(AWG#24~#26)
- *Color:white

Ordering Information:

- B2512WV-XP - * - ***
 1 2 3
 1.Part No.
 2.Style:
 (blank):TYPE 1
 2:TYPE 2
 3.Material:
 (blank):PBT,UL94V-0
 GWT:PBT,UL94V-0,GWT 750°C



Ordering Information & Dimensions:

PART NO.	Dimensions	
	A	B
2P	2.50	8.10
3P	5.00	10.60
4P	7.50	13.10
5P	10.00	15.60
6P	12.50	18.10
7P	15.00	20.60
8P	17.50	23.10
9P	20.00	25.60
10P	22.50	28.10
11P	25.00	30.60
12P	27.50	33.10

Unit: mm

单击下面可查看定价，库存，交付和生命周期等信息

[>>CJT\(长江连接器\)](#)